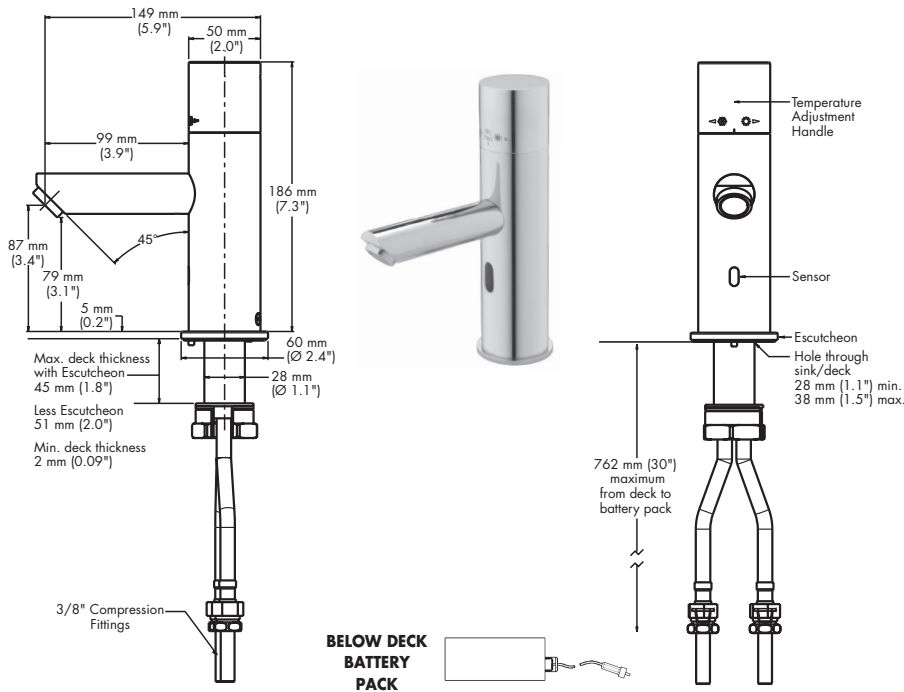


# DEMD Series – Thermostatic Electronic Lavatory Faucets (Infrared)

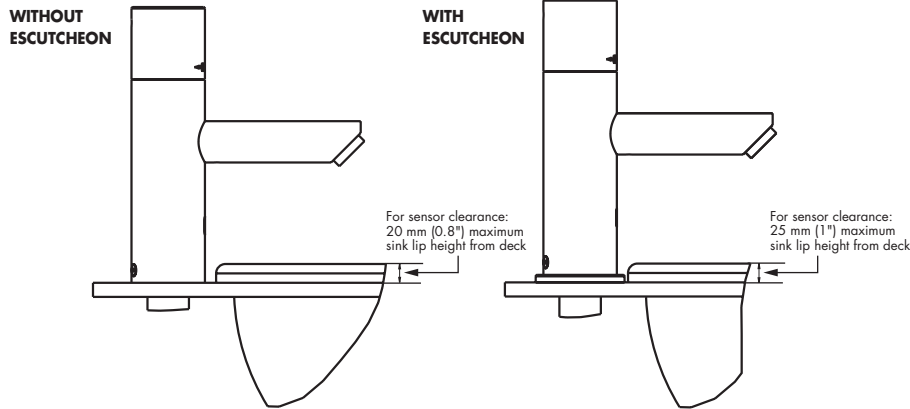
**HDF<sup>®</sup>**  
COMMERCIAL



## DEMD-61 1LF SERIES (BATTERY OPERATED)



## TYPICAL INSTALLATION



## HARDWIRE CONVERSION OF DEMD-61 1LF SERIES

Requires **SEPARATE** order of either:

- Ⓐ One 060958A DEMD plug in power supply, output 9VDC **OR** Ⓑ One 060704A hardwire 20VA transformer (120VAC to 24VAC)  
PLUS One 060974A DEMD converter (24VAC to 9VDC)

## SPECIFICATION: (example)

- Deck mount ASSE 1070 thermostatic electronic lavatory faucet with above deck electronics
- Mixing handle to adjust temperature
- Adjustable comfort limit stop
- Chrome finish
- Sensor detects user's hand to activate water flow
- 6x 1.5V "AA" Batteries (included)
- 15 second maximum run time
- Adjustable sensor range
- Red light indicator blinks when battery is low

### □ DEMD-61 1LF

- 0.66 gpm (2.5 L/min) spray outlet (0.17 gal/cycle, 0.64 L/cycle max. based on 15 second run time).

### □ DEMD-611-1OLF

- 1.0 gpm (3.8 L/min) spray outlet (0.25 gal/cycle, 0.94 L/cycle max. based on 15 second run time).

## OPERATION

### Sensing Range:

- Factory set to 6.6" ± 1.5" (168 mm ± 40 mm)
- Adjustable with optional remote control

### Run Time:

- Hands free (touchless) on/off activation
- Water flows when sensor activated
- Water flow stops upon de-activation
- Operates with a 15 second maximum run time
- Inlet Water Pressure Range: 20 - 125 psi
- Supply Pressure Differential: Pressure difference between hot & cold supply should not exceed ±20%
- Cold Water Inlet Range: 39°F - 80°F (4°C - 27°C)
- Hot Water Inlet Range: 120°F - 180°F (49°C - 82°C)
- Outlet Temperature Comfort Stop Range: Fixed or adjustable from cold to 120°F (49°C) max. Factory set to 105°F (40.5°C).
- Temperature Differential: Hot inlet temperature to be a minimum of +27°F (+17°C) hotter than the desired outlet temperature

## OPTIONAL ACCESSORIES (Order Separately)

### □ 060967A

- Remote Control (Optional)  
Allows adjustment of sensor range, maximum run time, delayed close time, temporary shutoff for cleaning and factory settings reset.

### □ 060585A

- Optional 4" coverplate (no anti-rotation)

## Approvals:

- IAPMO certified
- Complies to ASME A112.18.1/CSA B125.1, CSA B125.3 and ASSE 1070
- Indicates compliance to ICC/ANSI A117.1 – Valve actuation only
- Verified compliant with 0.25% weighted average Pb content regulations

(Contact Delta Representative for State and/or Local Approvals.)

Note: Measurements may vary ± 6mm (0.25")

Delta reserves the right (1) to make changes in specifications and materials, and (2) to change or discontinue models, both without notice or obligation. Dimensions are for reference only. See current full-line price book or [www.specselect.com](http://www.specselect.com) for finish options and product availability.

Refer to [www.specselect.com](http://www.specselect.com) for individual models. Note: Use this page as a product submittal sheet.