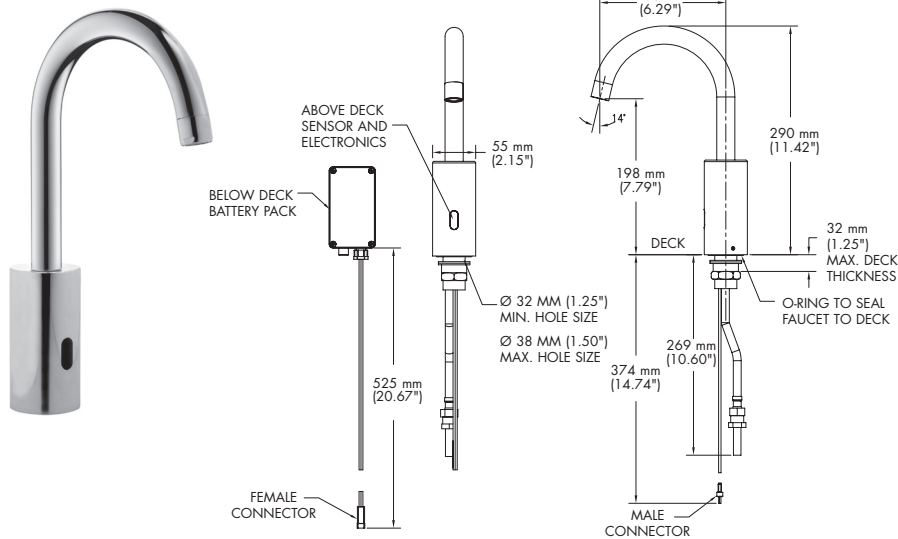


# DEMD Series Electronic Lavatory Faucets (Infrared)

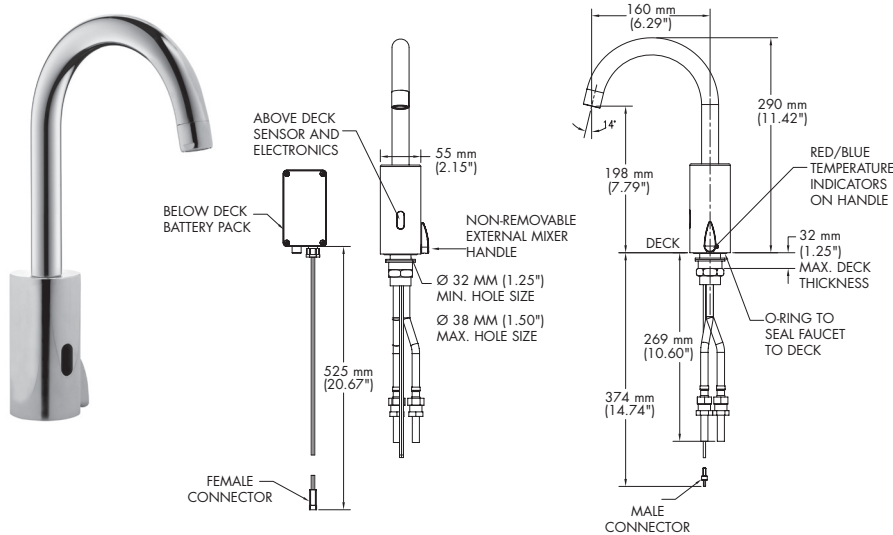
**HDF<sup>®</sup>**  
COMMERCIAL



## DEMD-201LF (BATTERY OPERATED WITH NO MIX)



## DEMD-211LF (BATTERY OPERATED WITH USER MIX)



## HARDWIRE CONVERSION OF DEMD-200 SERIES

Requires **SEPARATE** order of either:

- (A)** One 060958A DEMD plug in power supply, output 9VDC  
PLUS  
One 061014A female by female connector

- (B)** One 060704A hardwire 20VA transformer (120VAC to 24VAC)  
PLUS  
One 060974A DEMD converter (24VAC to 9VDC)  
PLUS  
One 061014A female by female connector

Note: Measurements may vary  $\pm$  6mm (0.25")

### SPECIFICATION: (example)

- Deck mount electronic lavatory faucet
- Sensor detects user's hand to activate water flow
- Six 1.5V batteries (included)
- Above deck electronics
- Red light indicator blinks when battery is low

### DEMD-201 SERIES

- Electronic faucet for cold or pre-mixed water

#### ☐ DEMD-201LF (Chrome)

- 0.5 gpm (1.9 L/min) spray outlet

#### ☐ DEMD-201LF-NS (Nickel Stainless)

- 0.5 gpm (1.9 L/min) spray outlet

### DEMD-211 SERIES

- Electronic faucet with mixer to adjust temperature

#### ☐ DEMD-211LF (Chrome)

- 0.5 gpm (1.9 L/min) spray outlet

#### ☐ DEMD-211LF-NS (Nickel Stainless)

- 0.5 gpm (1.9 L/min) spray outlet

#### ☐ DEMD-211-15LF (Chrome)

- 1.5 gpm (5.7 L/min) Careguard<sup>®</sup> laminar

#### ☐ DEMD-211-15LF-NS (Nickel Stainless)

- 1.5 gpm (5.7 L/min) Careguard<sup>®</sup> laminar

### OPERATION

#### Sensing Range:

- Factory set to 8.0"  $\pm$  1.5" (200 mm  $\pm$  40 mm)
- Adjustable from 3.15" to 11.8" (80 mm to 300 mm) with optional remote control

#### Maximum Run Time:

- 90 seconds, adjustable with remote control

### OPTIONAL ACCESSORIES (Order Separately)

#### ☐ 060967A

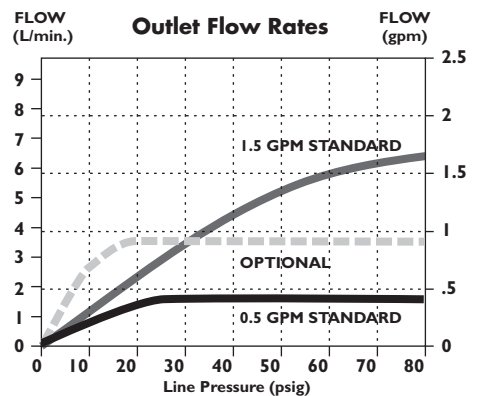
- Remote Control – allows adjustment of sensor range, maximum run time, delayed close time, temporary shutoff for cleaning and factory settings reset

#### ☐ 061200A (Chrome)

#### ☐ 061200ANS (Nickel Stainless)

- 1.0 gpm (3.8 L/min) aerator

## FLOW RATE vs PRESSURE



### Approvals:

- IAPMO certified
- Complies to ASME A112.18.1/CSA B125.1
- Indicates compliance to ICC/ANSI A117.1
- Verified compliant with 0.25% weighted average Pb content regulations

(Contact Delta Representative for State and/or Local Approvals.)