



Metering Faucets

Single hole mount lever handle metering faucet with
with 0.35 gpm (1.32 L/min)

Model No: 87T905

COMPLIES WITH:

- CSA certified.
- Complies to ASME Standard A112.18.1/CSA B125.1 for faucets
- Verified compliant with 0.25% weighted average Pb content regulations
- Lever Handle meets ADA compliance to ICC/ANSI A117.1 / ADA
- (Contact Delta Representative for State and/or Local Approvals)



NOTES:

Verified compliant with 0.25% weighted average Pb content regulations

SPECIFICATION:

- **Total flow NOT to exceed .25 gallons per handle activation**
- HEAVY-DUTY CAST BRASS
- Single hole mount faucet
- Polished chrome plated finish
- Vandal-resistant ADA lever handle
- Delta® metering slow close cartridge
- Two body mounted stainless steel Anti-rotation locking pins
- Vandal-resistant non-aerating spray

OPERATION:

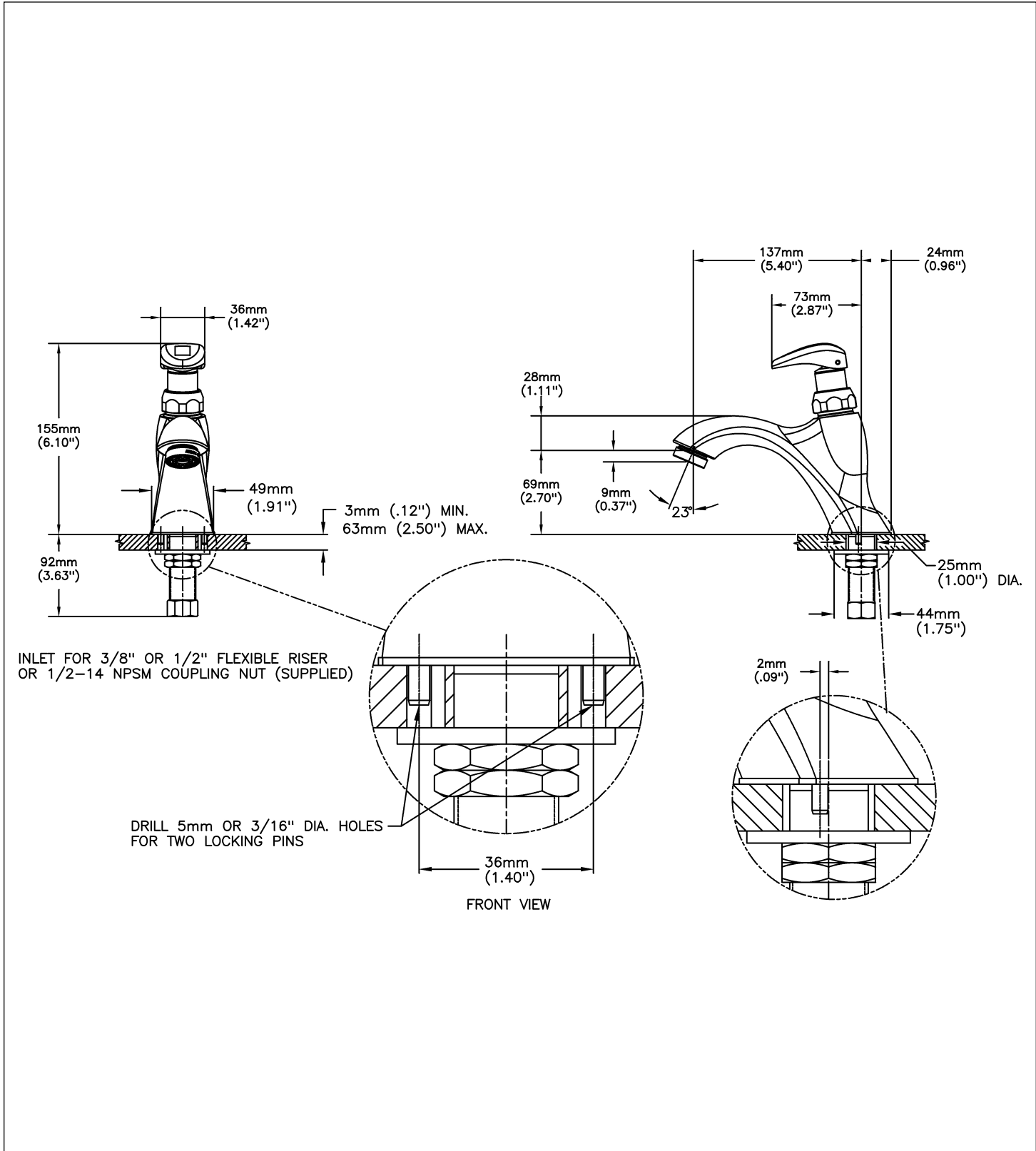
- Not Available

(Dimensional drawing on following page)

Delta reserves the right (1) to make changes to specifications and materials, and (2) to change or discontinue models, both without notice or obligation. Dimensions are for reference. Measurement may vary plus or minus 6mm(0.25"). Mounting locations are suggested only. Check with local codes for requirements in your area. This spec was produced February 15, 2017.

Delta Faucet Company - 55 East 111th St. - Indianapolis, Indiana, USA 46280 - (317) 848-1812
Delta Faucet Canada - 395 Matheson Blvd E - Mississauga, Ontario, Canada L4Z 2H2 - (905) 712-3030

Model No: 87T905



Delta reserves the right (1) to make changes to specifications and materials, and (2) to change or discontinue models, both without notice or obligation. Dimensions are for reference. Measurement may vary plus or minus 6mm(0.25"). Mounting locations are suggested only. Check with local codes for requirements in your area. This spec was produced February 15, 2017.

Delta Faucet Company - 55 East 111th St. - Indianapolis, Indiana, USA 46280 - (317) 848-1812
 Delta Faucet Canada - 395 Matheson Blvd E - Mississauga, Ontario, Canada L4Z 2H2 - (905) 712-3030