



Electronic Exposed TECK® II Flush Valves (with H2Optics™)

210343

210343

210343

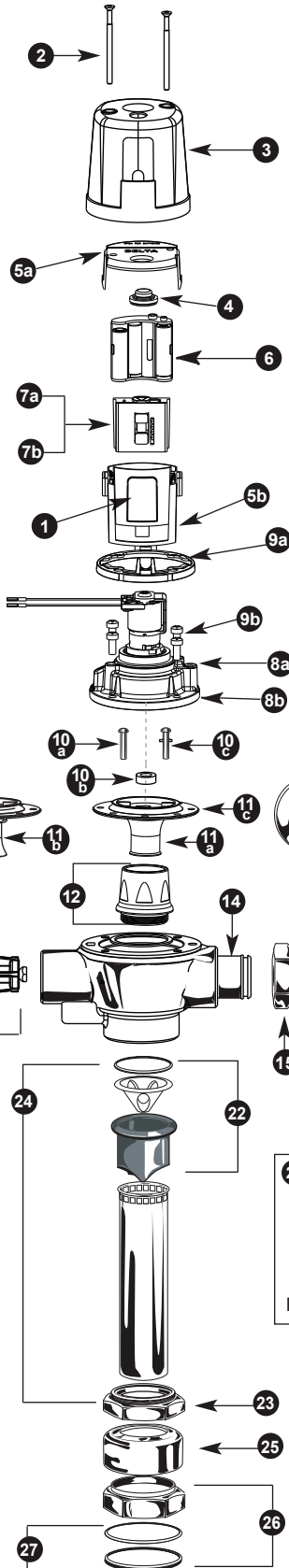
210343

210343

210343

210343

210343



Record model number:

81T2 **1** **A** - - **MMO**

Valve Type
0 = W/C (Water Closet)
3 = Urinal

Power Option
BT = Battery
HW = Hardwired

Manual Mechanical Override

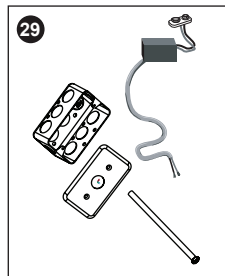
Alternate Flush Volumes

(leave blank if not applicable)

48 = 4.8 litre (1.27 gal) **fixed** flush (WC only)

42 = 4.2 litre (1.1 gal) **fixed** flush (WC only)

05 = 0.5 litre (0.13 gal) **fixed** flush (Urinal only)



Slip Joint Nut Installation

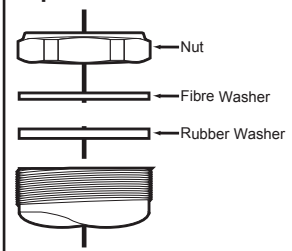


TABLE 1

	UR		WC	
	0.5L	1.9 & 3.8L	4.2, 4.8 & 6L	13L
Poppet Pin	 060508A	 060507A	 060507A & 062025A	 060507A
Diaphragm	 061324A		 061323A	

PLEASE LEAVE this M&I Sheet with the owner, maintenance plumber, etc. as items relating to ongoing maintenance suggestions and procedures are included.

Item #	Part #	Description
1	061063A	Replaceable Lens for 3rd Generation E-FV
2	061138A	Cover Screws for 3rd Generation E-FV
3	061139A	Metal Cover
4	see #7	Electronic Button Head Assembly
5a	061140A	Case Top for 3rd Generation E-FV
5b	061170A	Plastic Case for 3rd Generation E-FV
6	060334A	Battery Holder
7a	061161A	Water Closet Board & Electronic Override Button
7b	061162A	Urinal Board & Electronic Override Button
8a	061024A	Regulating Screw & O-Ring
8b	061325A	Cast Cap/Solenoid & Regulating Screw Assembly
9a	061141A*	Cover Gasket (3/pkg)
9b	060078A*	Screws for Cast Cap (4/pkg)
10a	060507A**	Poppet Pin Pack (3/pkg) (also see 10b) - see Table 1 on page 1
10b	062025A**	Washer (3/pkg) (required for 4.2L, 4.8L & 6L Valves only) - see Table 1 on page 1
10c	060508A**	Poppet Pin Pack (3/pkg) (0.5L Valves only) - see Table 1 on page 1
11a	061323A**	Diaphragm/Guide Assembly Complete - WC - see Table 1 on page 1
11b	061324A**	Diaphragm/Guide Assembly Complete - UR - see Table 1 on page 1
11c	060079A-MMO	Diaphragm Package
12	062007A	Brass Seat with O-Ring
13	061322A	Push Button, Cage, Cap Nut
14	060506A	Standard Adjustable Tail CP
15	060735A	Union Nut CP
16	060692A	Retaining Ring
17	060082A*	Adjustable Tail O-Ring Package (20/pkg)
18	060504A	S/S Wall Flange & Cover Tube
19	060697A	1" Copper Sweat Inlet Adaptor
	060694A	¾" Copper Sweat Inlet Adaptor
	060764A	¾" FIP Inlet Adaptor
20	060843A	Retrofit Check Stem Unit, Capnut & Button Complete
	060844A	Seat Washer, Spring, Button & O-Ring Kit
	060859A	Angle Stop with Union Nut & Tail Complete
21	060081A*	Plug Button Package (12/pkg)
22	060785A	VB Sleeve Complete
23	060094A	CP Male Threaded Coupling Ring
24	060782A	1½" x 10" VB, Ring & Tube Complete (for 81T201)
	060784A	¾" x 11½" VB, Ring & Tube Complete (for 81T231)
25	060004A	1½" Spud Flange
	060463A	¾" CP Coupling Nut, ¾" Washer & ¾" Spud Flange
26	060778A	1½" Rough Coupling Nut & Washer
	060463A	¾" CP Coupling Nut, ¾" Washer & ¾" Spud Flange
27	060083A *	1½" Rubber Slip Joint Washer (12/pkg)
28	060344A	Filter Screen Kit (12/pkg) for Teck tails
29	061069A	Hardwire Converter & Rigid Connection Assembly for 3rd Generation E-FV
	061069A-BB	Hardwire Converter & Rigid Connection with Battery Back-Up
	060704A	Transformer (110 to 24 VAC) for 5 Sensor Modules**
	060771A	Transformer (110 to 24 VAC) for 10 Sensor Modules**
	060772A	Transformer (110 to 24 VAC) for 25 Sensor Modules**

* Package Quantities May Change. Check the parts section of the latest Delta Commercial Faucet Price List for current quantities.

** Each individual sensor module requires its own 24 VAC to 6 VDC hardwire converter.

Product #	A	B	C
All 81T201BT	Max.	$\pm 11\text{mm}$ ($7/16"$)	Min.
	292mm ($11\frac{1}{2}"$)	121mm ($4\frac{3}{4}"$)	54mm ($2.13"$)
All 81T231BT	330mm ($13"$)	121mm ($4\frac{3}{4}"$)	54mm ($2.13"$)

BEFORE THE FIRST FLUSH (COMPLETE VALVES)

FLUSH BOTH OLD AND NEW PIPES:

It is important to FLUSH and CLEAN thoroughly both new and old water piping to ELIMINATE contaminants (eg. scale, sediment, gravel, cuttings, solder, etc.) from the line.

Where the water has a sediment content, a PIPE STRAINER in the supply line should alleviate that condition and protect working parts of flushometers and faucets.

On a NEW INSTALLATION, always flush the valve 4 or 5 times to clean out supply line debris. It is also advisable where more than one flushometer is installed on a water line, to flush out the water piping through the last flushometer outlet of the pipe line.

INSTALL FILTER SCREEN (included):

Note: Place filter in stop bore with conical screen facing the water flow.

Caution: Do not push filter in too far. Let filter seat against face of flush valve tail. Periodic cleaning of the filter screen with water is recommended depending on local water conditions to remove any dirt or sediment. See filter screen M&I for additional installation information.

ELIMINATE AIR FROM VALVES:

The FIRST FLUSH should ELIMINATE all air from the TECK flushometer. DO NOT ADJUST flushometer based on the results of the first flush.

TO PREVENT WATER HAMMER:

A water hammer arrestor may be installed at the last flushometer and/or at the back of an individual installation. This assures SMOOTHER OPERATION of the valves and longer life for the working parts.

HANDS SHOULD BE CLEAN AND FREE OF GREASE AND OIL during any maintenance or handling of electronic housing components to prevent possible damage to internal circuitry.

IF LEFT HAND STOP REQUIRED:

- Remove the cover by taking out the two cover screws. See Figure 4.
- You will now see the clear electronic compartment with a grey cover.
- Now take hold of the compartment and very carefully, slowly lift the compartment about $1/4"$ and turn it 180° .
- The sensor eye should now be on the other side.
- Gently push the compartment back down, aligning the two screw holes on the clear case with the screw holes on the brass solenoid cap.
- Rotate cover gasket 180° on brass cap.
- Check for pinched wires between cover and clear case.
- Ensure grey cover is snapped onto clear case and chrome button is properly seated.
- Replace the cover and two cover screws - do not overtighten cover screws.

Flush volume adjustment:

- 1.10 U.S. gallons / 4.2 litres for water closets
- 1.27 U.S. gallons / 4.8 litres for water closets
- 0.13 U.S. gallon / 0.5 litre for urinal valves

The Regulating Screw (061024A, item #8) may be adjusted, according to job conditions and fixture installed to the proper water volume to flush that particular fixture (except -42, -48 and -05 models which are not field adjustable).

NOTE: 4.8 Litre water closets may require the Angle Stop to be set at only ONE TURN OPEN. For a SHORTER flush, turn the Regulating Screw (061024A, item #8) left (counter-clockwise) and right (clockwise) for a LONGER flush (except -42, -48 and -05 models which are not field adjustable).

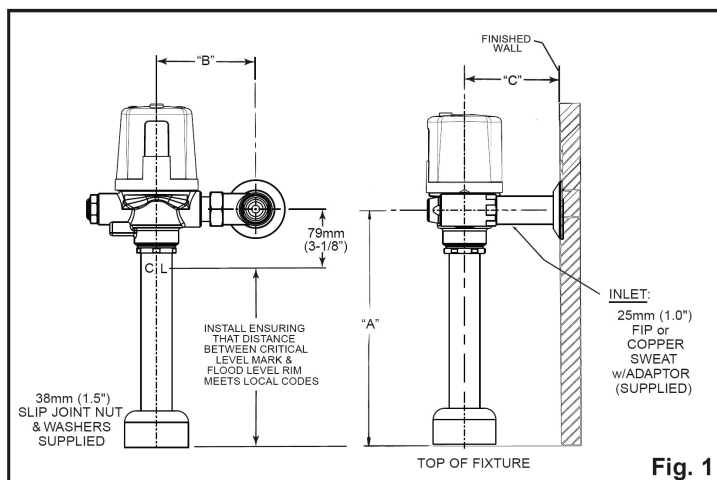


Fig. 1

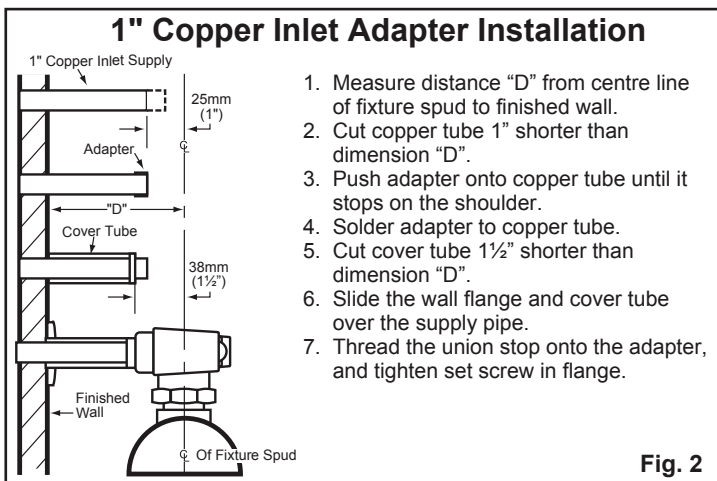


Fig. 2

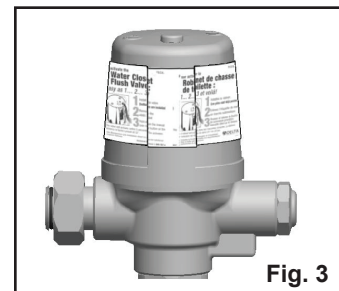


Fig. 3

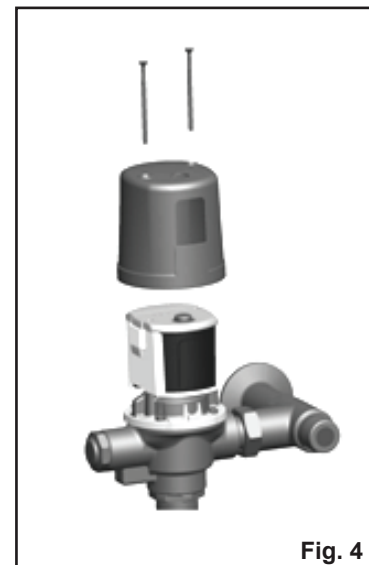


Fig. 4

INSTALLATION INSTRUCTIONS - BATTERY FLUSHOMETER

Step 1:

- Install battery flushometer to fixture.
- Open inlet stop.

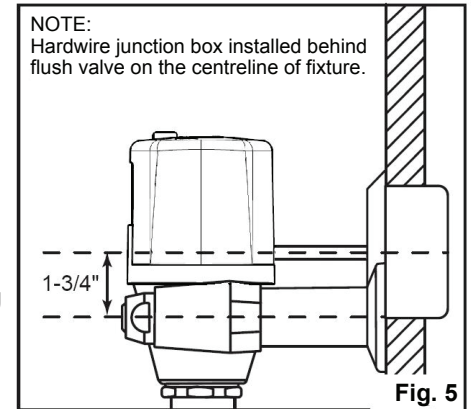
Step 2:

- Follow instructions on yellow static label (Figure 3). **Note: The batteries are already installed and the product is in hibernation mode waiting to be activated.**
- After you remove the yellow label, you must push the electronic override button three times within five seconds to activate the valve and to place it into operation mode. To signify the valve has entered operation mode, you will see an ascending and descending light sequence.
- **Proceed to Step 5.**

INSTALLATION INSTRUCTIONS - HARDWIRED FLUSHOMETER

Step 3:

- Before installing the flush valve body. Install 2" x 4" electrical box into wall with centre of box in line with the cut-out in the back of the metal flush valve cover. See Figure 5.
- Securely attach box to wall structure. ⚠ Install CSA and/or UL approved Class 2 transformer or equivalent in a convenient location or in a pipe chase. **(Do NOT install the transformer inside the control box.)** Run suitable wires from 24 VAC step down transformer into the electrical box. The transformer is to be installed in an adjacent accessible space. Use cable which complies to local electrical codes for 1 amp load. No. 18 cable is usually sufficient.
- Assemble plastic bushing into the hole on the coverplate.
- Measure and cut tube assembly to appropriate length so that the bushing will fit under the metal flush valve cover and the free end will protrude into the box through the coverplate by 1/2" minimum. Rotate cover gasket, if necessary, so that the U-shaped wire guides align with the rear opening in valve cover.
- Assemble flush valve to fixture. When ready, remove metal cover and feed the wires from the hardwire converter through the tube assembly and the tube assembly through the bushing on the coverplate.
- Attach the converter wires to the 24 VAC wires from a step down transformer.
- With power to the flushometer, you will see an ascending and descending light sequence to signify that the valve is now in operation mode.
- Assemble coverplate using the bracket and screws provided.
- With the tube bushing located in position, assemble metal cover to flush valve body with tube assembly located in metal cover cut-out.



Step 4:

- Open inlet stop.

Step 5: Operation Mode

Upon power up - a sequence of descending and ascending red lights will signify that the valve is in operation mode.

Once in operation mode, if factory settings are preferred, no further action is required and the valve installation is complete.

Factory pre-set functions are:

WC bowl length of 24", 24 hour flush is off.
Urinal sensing distance of 16", 24 hour flush is off.

MAKING ADJUSTMENTS TO THE ELECTRONIC FEATURES

(Optional: Only required if factory settings are not preferred)

Once in operation mode, if adjustments are preferred, installer must move into set up mode.

If desired adjustments are not made within 30 minutes of initial power-up, the power must be disconnected for 10 seconds and then reconnected to obtain another adjustment period.

Step 6: Set-Up Mode

- If 30 minutes have passed since the initial power-up of the valve - open up the battery compartment (Figures 9 and 10) and disconnect the battery snap for 10 seconds. Reconnect and replace the cover and screws.
- To move from operation mode into set-up mode, push and hold electronic override button for five seconds. Release the electronic override button when a solid blue light is visible.
- **The watercloset flushometer models have 2 settings which are adjustable via the Set-Up Mode - Bowl Length Selection and 24 Hour Flush Adjustment.**
- **The urinal flushometer models have 2 settings which are adjustable via the Set-Up Mode - Range Adjustment and 24 Hour Flush Adjustment.**
- While in Set-Up Mode, the user will move through the different adjustment modes one by one, in the order as described above. Use the electronic override button to toggle through the different settings of the adjustment feature being altered. To advance to the next adjustment mode, hold down electronic override button until blue light is present, then release the button. See Figure 6.

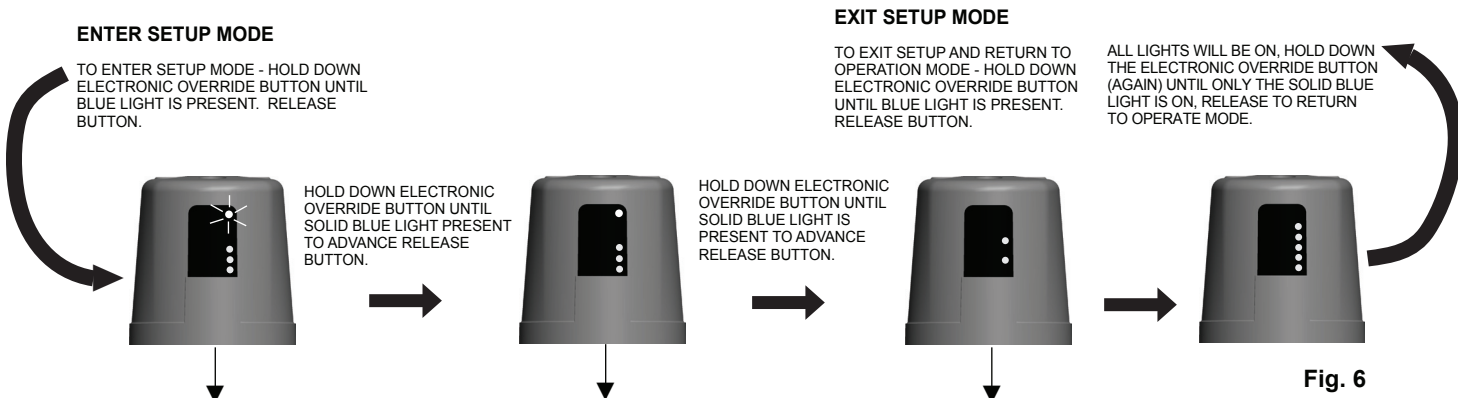


Fig. 6

<p>7.1 SENSOR RANGE ADJUSTMENT MODE</p> <ul style="list-style-type: none"> - Press and release electronic override button to toggle through the settings - Blue light flashes when object is detected - Red lights signify range choices <table border="1"> <thead> <tr> <th>Lights visible</th> <th>W/C Bowl Length</th> <th>Urinal Sensing Distance</th> </tr> </thead> <tbody> <tr> <td>1 Red</td> <td>20"</td> <td>8"</td> </tr> <tr> <td>2 Reds</td> <td>22"</td> <td>12"</td> </tr> <tr> <td>3 Reds</td> <td>24"</td> <td>16"</td> </tr> <tr> <td>4 Reds</td> <td>26"</td> <td>20"</td> </tr> <tr> <td>5 Reds</td> <td>28"</td> <td>24"</td> </tr> </tbody> </table>	Lights visible	W/C Bowl Length	Urinal Sensing Distance	1 Red	20"	8"	2 Reds	22"	12"	3 Reds	24"	16"	4 Reds	26"	20"	5 Reds	28"	24"	<p>INACTIVE MODE (WC only - designed for future options)</p>	<p>7.2 24 HOUR FLUSH ADJUSTMENT</p> <ul style="list-style-type: none"> - Press and release electronic override button to toggle through the settings - No Blue light will be present - Red lights signify 24 Hour flush on or off <table border="1"> <thead> <tr> <th>Lights visible</th> <th>24 Hour Flush</th> </tr> </thead> <tbody> <tr> <td>2 Reds</td> <td>24 Hour Flush OFF</td> </tr> <tr> <td>3 Reds</td> <td>24 Hour Flush ON</td> </tr> </tbody> </table>	Lights visible	24 Hour Flush	2 Reds	24 Hour Flush OFF	3 Reds	24 Hour Flush ON
Lights visible	W/C Bowl Length	Urinal Sensing Distance																								
1 Red	20"	8"																								
2 Reds	22"	12"																								
3 Reds	24"	16"																								
4 Reds	26"	20"																								
5 Reds	28"	24"																								
Lights visible	24 Hour Flush																									
2 Reds	24 Hour Flush OFF																									
3 Reds	24 Hour Flush ON																									

Step 7: Making Adjustments (Optional: Only required if factory settings are not preferred)

7.1 Sensor Adjustment:

For Waterclosets:

- Configure the sensing ranges by selecting the appropriate bowl length. Refer to Figure 6 for the different bowl length settings.
- The bowl length is the distance from the centre line of the valve to the lip of the bowl (see Figure 7).
- To ensure the correct distance is selected, stand or place a target at the end of the bowl. Starting with one illuminated red light, step through the distances until the blue light begins to flash. The flashing light confirms that the sensor is configured for that bowl length.
- **NOTE** the WC bowl length setting is **NOT** the sensing range. The advanced sensor activated flush system uses multiple detection distances and the bowl length to react appropriately to different usage patterns.
- If no further length adjustments are desired, press and hold down the electronic override button for 5 seconds, until a solid blue light is present. Release the electronic override button to advance to the next adjustment feature.
- A blue and red light will be present. This mode is currently inactive and is designed for any future options.
- To advance to the 24 Hour Flush, press and hold down electronic override button for 5 seconds until the solid blue light is present.
- Release electronic override button, you are now in 24 Hour Flush configuration.

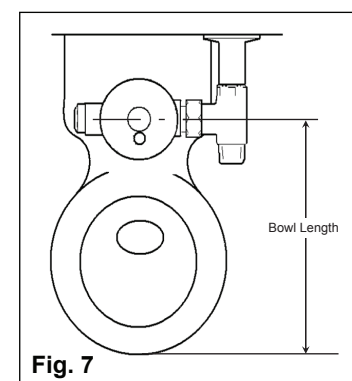


Fig. 7

For Urinals:

- Configure the sensing range by selecting the desired detection distance.
- Each press and release of the electronic override button advances to the next length/distance. (See Figure 6 for a list of distances.)
- Start with one red visible light.
- Stand or place a target at the desired detection distance, the top blue light will be flashing if an object is detected.
- Press and release electronic override button to step through the distance options until the blue light begins to flash, indicating that the target has been detected. The blinking blue light indicates that the sensor is configured for that length/distance.
- The sensor is now set at your desired configuration.
- If no further sensing range adjustments are desired, press and hold down the electronic override button for 5 seconds, until a solid blue light is present.
- Release electronic override button, you are now in 24 Hour Flush configuration.

7.2 24 Hour Flush Adjustment Mode:

- When the 2 red lights are present - 24 hour flush is OFF.
- When the 3 red lights are present - 24 hour flush is ON.
- Press electronic override button to toggle between ON and OFF mode.

Exiting Set-Up Mode:

- Can be accomplished in one of two ways;
 1. During the 24 Hour Adjustment feature, press and hold down electronic override button for 5 seconds until solid blue light is present. Release electronic override button. All lights will be ON. Press and Hold the electronic override button (again) until JUST the solid blue light is on, release the electronic override button.
 2. During all modes, valve will revert back to operation mode automatically if the electronic override button is not pressed within 3 minutes.

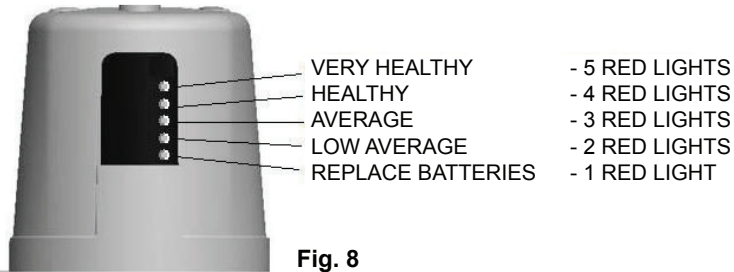
* After the last adjustment has been completed and the flush valve has returned to operation mode, there is a window of approximately 30 minutes where additional changes can be made. If desired adjustments are not made within 30 minutes, the batteries for 10 seconds and then re-connected to obtain another adjustment period. To make changes, begin at step #6 above.

BATTERY STRENGTH INDICATOR & BATTERY REPLACEMENT

TO CHECK BATTERY STRENGTH:

1. During Operation Mode - press and hold down the electronic override button for approximately 10 seconds.
2. DO NOT RELEASE BUTTON WHEN SOLID BLUE LIGHT IS PRESENT - KEEP HOLDING DOWN.
3. After 10 seconds, the battery strength will be displayed via the red lights. The more lights that are present, the more life the batteries have. See Figure 8.
4. When you are satisfied with the strength indication, release the electronic override button to return to Operation mode.

BATTERY STRENGTH INDICATION

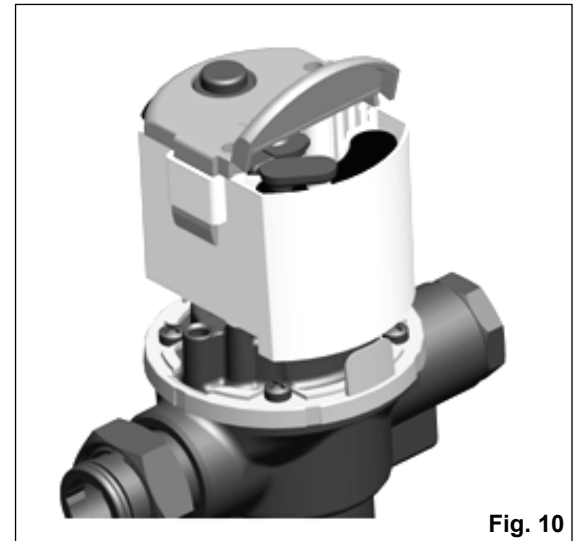


TO REPLACE BATTERIES:

1. Remove the two cover screws and lift off metal cover, see Figure 9.
2. Hold case/cover securely with one hand and open hinged lid of the battery compartment in the back of the unit.
3. Pull the battery holder out and insert new set of four "AA" batteries into battery holder. (Use the +/- signs on the batteries and the +/- signs on the battery holder for correct positioning.) **Note:** Do not use a metal screwdriver to remove snap from battery holder.
4. Install the refreshed battery holder back into the electronic housing. (When the new batteries are installed and connected, an initial ascending and descending red light sequence will occur.)
5. Close the battery compartment lid ensuring wires are neatly tucked into compartment and are not pinched between case and cover. Test the electronic override button. Blue light flashes once when override is activated.
6. Place the metal cover back onto flushometer and replace the two cover screws DO NOT OVERTIGHTEN. Flushometer is now ready for use.

* **NOTE:** All previously adjusted settings will be retained when batteries are changed.

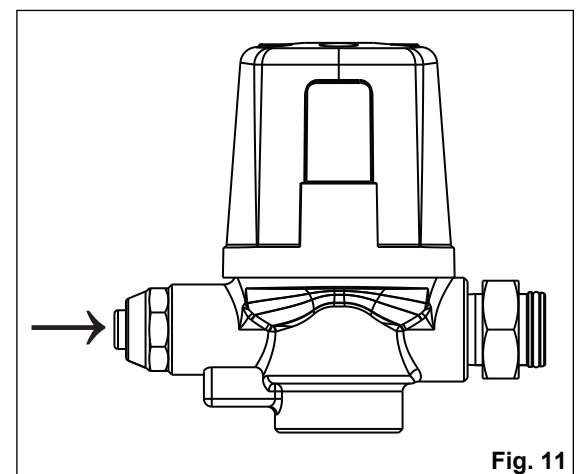
1. **Start-Up:** When batteries are first inserted, there is an initial ascending and descending red light sequence that will occur.
2. **Electronic Override Button in Operating Mode:** Blue light flashes once when Electronic Override Button is activated.
3. **Low Battery Level Indicator:** One RED light flashes every 15 seconds, indicating approximately 5,000 flushes remain from when RED light first started flashing.



MMO - Manual Mechanical Override

This feature is intended for use by Maintenance staff for flushing the valve in the event of a battery failure.

NOTE: This option does not include a "Non Hold Open" feature. See Figure 11.



PROBLEM SOLVING & MAINTENANCE SUGGESTIONS:

NO LIGHTS - NO POWER

Check that the 4 "AA" batteries are positioned properly in the battery holder. Use the +/- signs on the batteries and the +/- signs on the battery holder for correct positioning.
If the batteries are positioned correctly, but there are still no lights, replace with 4 new "AA" Alkaline batteries (see Battery Replacement on page 6).

NOTE: DO NOT USE EXCESSIVE FORCE to close the inlet stop stem. We RECOMMEND that the flushometer be flushed while closing the inlet stop. The noise created by the water flow or the flow into the fixture will stop when the inlet water is shut off.

NOTE: Always use DELTA COMMERCIAL GENUINE PARTS to maintain the warranty.

EXCESSIVE NOISE:

1. PARTIALLY close the inlet stop.
2. Pressures OVER 75 PSI may lead to an increase in NOISE, water could SPLASH out of the fixture more easily and the LIFE of any plumbing valve may be SHORTENED.
3. INSTALL a Pressure Reducing Valve set at a lower pressure if actual pressure is over 75 PSI. While the TECK Flushometer will operate up to 125 PSI, the preferred operating range is between 35 to 65 PSI.
4. On flushometers that have been installed for a number of years, check the Renewable Seat (062007A, item #12) for wear and replace if necessary.

EXCESSIVE WATER FLOW RATE:

1. OPEN inlet stop ONE TURN and adjust Regulating Screw (061024A, item #8a) to the fixture requirement (except on -42, -05 and -48 models which are fixed volume).
2. Operation of flushometer with inlet stop BELOW ONE TURN OPEN may cause EXCESSIVE NOISE. The lowest open setting for the inlet stop may vary dependent on the installation.

SHORTAGE OF WATER TO PROPERLY FLUSH BOWL:

1. OPEN inlet stop fully.
2. CHECK pipeline for size or obstruction, partially closed gate or other supply line valve, corroded or undersize water piping.
3. CHECK water pressure.
4. Water flow rate is determined by BOTH the water pipe size AND the water pressure available.
5. A water closet flush valve requires a minimum water supply of 1" (or larger), depending on a number of different factors including water pressure (PSI) available, pipe size and length of pipe run, number of fixtures per washroom and per building, fixture type, fixture usage factor, elevation of valve above the water main, etc. We strongly recommend that pipe size calculations be done to insure proper water supply sizes.

Flushometers do NOT provide a water supply; they are merely automatically timed self-closing valves. The inlet supply piping is the water reservoir that must supply sufficient water volume in a short period of time (4 to 10 seconds) to properly flush and clear the fixture.

CONTINUOUS FLUSHING:

1. The Regulating Screw (061024A, item #8a) may be turned RIGHT (clockwise) TOO FAR. Adjust by slowly turning the Regulating Screw LEFT (counter-clockwise) (except -42, -48 and -05 models which are fixed volume).
2. If flush is still continuous, close inlet stop, remove Regulating Screw (061024A, item #8a), CLEAN bypass slot in the Screw, REPLACE it in the valve and ADJUST slowly for proper flush (except -42, -48 and -05 models which are fixed volume).
3. Remove cap assembly and Diaphragm/Guide Assembly (061323A - WC or 061324A - UR, item #11), check for contaminants at renewable seat and diaphragm and check for debris in the cap for blockage. Also CHECK that the Diaphragm/Guide slides easily in the Renewable Seat.

VALVE WILL NOT FLUSH:

1. When the valve has been taken apart for servicing and re-assembled and does NOT operate, check that the Cap has been put on the body properly. The Regulating Screw (061024A, item #8a) should always be on the same side as the inlet stop.
2. When all lights operate as expected but valve will not flush, check that the solenoid makes a clicking sound. If no clicking sound is present, then replace with Cap and Solenoid (061325A, item #8b).
3. After a number of years, the valve will flush but shuts off immediately when activated. The Diaphragm (060079A-MMO, item #11c) is worn or split and needs replacing.

SLIGHT WATER LEAK INTO FIXTURE:

1. EXAMINE the seating surface of the Diaphragm (060079A-MMO, item #11c) for imbedded sediment.

CLEANING INSTRUCTIONS:

CLEAN the outside of the chrome plated flushometer with a damp cloth.

CAUTION: MOST Tub & Tile fixture cleaners contain ACIDS. DO NOT WIPE the cloth used to clean ceramic fixtures over the flushometer as it will remove the chrome plating and leave a discoloured surface.

Delta Commercial Faucet Limited Warranty

All parts of the Delta® HDF® and TECK® faucets are warranted to the original consumer purchaser to be free from defects in material, finish and workmanship for a period of five (5) years unless otherwise specifically stated in the catalogue and price book. This warranty is made to the original consumer purchaser and shall be effective from date of purchase as shown on purchaser's receipt.

Delta will, at its option, repair or replace, FREE OF CHARGE, during the warranty period, any part which proves defective in material or workmanship under normal installation, use and water and service conditions. If Delta Faucet concludes that the returned part was manufactured by Delta Faucet and is, in fact, defective, then Delta Faucet will honour the warranty stated herein. Replacement parts can be obtained from your local dealer or distributor listed in the telephone directory or by returning the part along with the purchaser's receipt to our factory, TRANSPORTATION CHARGES PREPAID, at the address listed. THIS WARRANTY IS THE ONLY EXPRESS WARRANTY MADE BY DELTA. ANY CLAIMS MADE UNDER THIS WARRANTY MUST BE MADE DURING THE FIVE YEAR PERIOD REFERRED TO ABOVE. ANY IMPLIED WARRANTIES, INCLUDING THE IMPLIED WARRANTY OF MERCHANTABILITY OF FITNESS FOR A PARTICULAR PURPOSE, ARE LIMITED IN DURATION TO THE DURATION OF THIS WARRANTY. LABOUR CHARGES AND/OR DAMAGE INCURRED IN INSTALLATION, REPAIR OR REPLACEMENT AS WELL AS INCIDENTAL AND CONSEQUENTIAL, SPECIAL, INDIRECT OR PUNITIVE DAMAGES CONNECTED THEREWITH ARE EXCLUDED AND WILL NOT BE PAID BY DELTA FAUCET.

Some states do not allow limitations on how long an implied warranty lasts, or the exclusion or limitation of incidental or consequential damages, so the above limitations or exclusions may not apply to you. This warranty gives you specific legal rights, and you may also have other rights which vary from state to state.

This warranty is for commercial products only from Delta Faucet Company and Delta Faucet Canada (a division of Masco Canada Limited) and is void for any damage to this faucet due to misuse, abuse, neglect, accident, improper installation, any use in violation of instructions furnished by Delta Faucet or any use of replacement parts other than genuine Delta parts.

© 2015 Masco Corporation of Indiana

This device complies with Part 15 of the FCC Rules. Operation is subject to the following two conditions:

- (1) this device may not cause harmful interference, and
- (2) this device must accept any interference received, including interference that may cause undesired operation.

NOTE:

This equipment has been tested and found to comply with the limits for a Class A digital device, pursuant to Part 15 of the FCC Rules. These limits are designed to provide reasonable protection against harmful interference when the equipment is operated in a commercial environment. This equipment generates, uses, and can radiate radio frequency energy and, if not installed and used in accordance with the instruction manual, may cause harmful interference to radio communications. Operation of this equipment in a residential area is likely to cause harmful interference in which case the user will be required to correct the interference at his own expense.

Warning:

Changes or modifications not expressly approved by Delta could void the user's authority to operate the equipment.

CAN ICES-3 (A) / NMB-3(A)

Delta Faucet Canada, a division of Masco Canada Limited
350 South Edgeware Road, St. Thomas, Ontario, N5P 4L1
1-800-567-3300 (English) 1-800-265-9245 (French)

Delta Faucet Company
Box 40980, 55 East 111th St., Indianapolis, IN, U.S.A. 46280
(317) 848-1812

For further technical assistance, call Delta Commercial Technical Service at 1-800-387-8277 (Canada) or 1-877-509-2680 (U.S.A.).

www.deltacommercialfaucets.com

specselect
.com