




Electronic Flush Valves & Retrofit Kits

Exposed Hardwire Operated 3/4" Top Inlet Urinal Fixture

Model No: 81T231-WMSHWA

COMPLIES WITH:

- IAPMO listed to ASSE 1037 / ASME A112.1037 / CSA B125.37
-  Indicates compliance to ICC / ANSI A117.1
- Patented
- (Contact Delta Representative for State and/or Local Approvals)



SPECIFICATION:

- Polished chrome plated vandal resistant metal cover with 4" wallmount sensor
- Right or left-hand supply installation
- ADA compliant, automatic operation hardwire powered H2Optics® technology infrared sensor
- Infrared sensor range adjustment of 305mm - 711mm (12"- 28"), in 4" increments, factory set at 508 mm (20") [± 50.8 mm (2")]
- Hardwire adaptor
- Vandal resistant copper tube conduit
- Adjustable 24 hour courtesy flush factory set to off
- 24 VAC input
- Electronic override button
- (110 to 24 VAC Transformer not included. See selection below for additional part number.)
- Quiet action, Teck® exposed diaphragm flush valve
- Chloramine resistant diaphragm
- Brass diaphragm retainer
- Renewable seat
- Polished chrome plated body
- 1" FIP / 3/4" copper sweat inlet adaptor, angle check stop with protecting cap
- Adjustable 121mm (4-3/4") plus or minus 11mm (7/16") inlet/valve outlet centers
- Vacuum breaker
- Cover tube, stainless steel wall flange, spud flange, spud nut, and 330mm (13") outlet tube
- External water conserving flush adjustment: Factory to Set 1.9 Litre (0.50 GAL.) - FIELD ADJUSTABLE from 0.47 to 3.78 Litre Flush (1/8 to 1.0 GAL.)

OPERATION:

- **Recommended water supply:**
Minimum flowing pressure – 25 psi (172 kPa)
Minimum flow rate – 8 gpm (30 L/min)

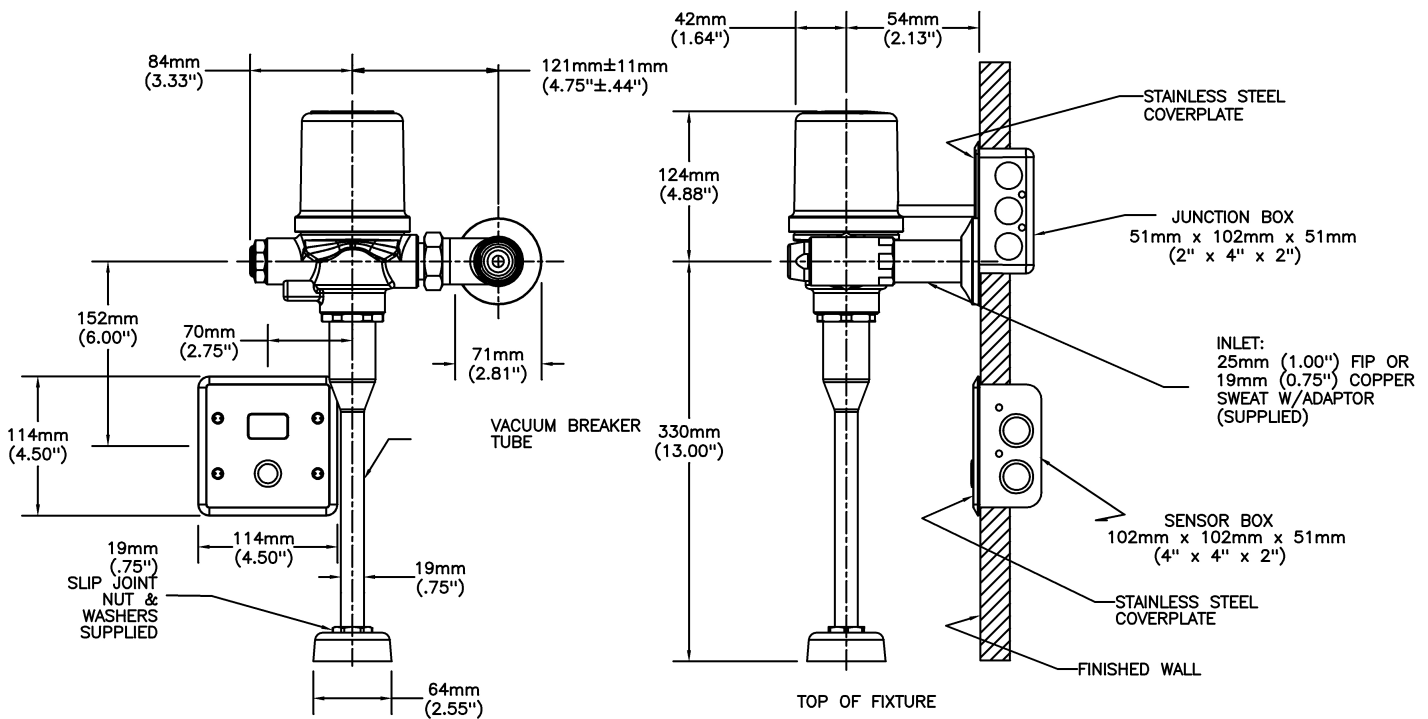
(Dimensional drawing on following page)

Delta reserves the right (1) to make changes to specifications and materials, and (2) to change or discontinue models, both without notice or obligation. Dimensions are for reference. Measurement may vary plus or minus 6mm(0.25"). Mounting locations are suggested only. Check with local codes for requirements in your area. This spec was produced January 31, 2017.

Delta Faucet Company - 55 East 111th St. - Indianapolis, Indiana, USA 46280 - (317) 848-1812
Delta Faucet Canada - 395 Matheson Blvd E - Mississauga, Ontario, Canada L4Z 2H2 - (905) 712-3030

Model No: 81T231-WMSHWA

Teck® flushometer valves are designed to operate at any supply pressure between 10 psi and 125 psi in accordance with CSA B125. The Teck® flush valve delivers the industry's highest peak flows to enhance bowl scrubbing. At high water pressures, splash out, noise or reduced life of plumbing components may be observed with a few models of water closet or urinal fixtures. To minimize or eliminate these effects, select a different model of water closet or urinal from the same or another manufacturer, or install a pressure reducing valve. If the installation does not allow for either of these options, the control stop adjusting screw may be used to reduce pressure to the valve.



Delta reserves the right (1) to make changes to specifications and materials, and (2) to change or discontinue models, both without notice or obligation. Dimensions are for reference. Measurement may vary plus or minus 6mm(0.25"). Mounting locations are suggested only. Check with local codes for requirements in your area. This spec was produced January 31, 2017.

Delta Faucet Company - 55 East 111th St. - Indianapolis, Indiana, USA 46280 - (317) 848-1812
 Delta Faucet Canada - 395 Matheson Blvd E - Mississauga, Ontario, Canada L4Z 2H2 - (905) 712-3030