




Electronic Faucets

Battery Operated - 4" Lavatory - Cast Brass one-piece body with integral waterproof sensor and connector

Model No: 591T1268TR

COMPLIES WITH:

- CSA certified.
- Complies to ASME A112.18.1/CSA B125.1
-  Indicates compliance to ICC/ANSI A117.1
- Patented
- Verified compliant with 0.25% weighted average Pb content regulations
- NOTE 1: For optimum performance of this product, we recommend a system pressure between 20 and 80 PSI static. This product will operate up to a maximum of 125 PSI static per ANSI and CSA requirements. However, we do not recommend pressures above 80 PSI. Thermal expansion or leaking pressure reducing valves may require use of expansion tanks or relief valves to ensure your system never exceeds its maximum intended pressure setting.
- .NOTE 2: Control Box #8 is not recommended for high temperature disinfection cycles as the thermostatic mixing valve limits the higher temperature flow output
- Outlet options 2, 3 and 6 are EPA WaterSense listed
- (Contact Delta Representative for State and/or Local Approvals)



NOTES:

Control Box(8TR) -NOTES:
Requires Rough-in Product Number ELAVT0008ARI to be ordered separately - see ELAVT0008ARI

SPECIFICATION:

- Battery Operated - 4" Lavatory - Cast Brass one-piece body with integral waterproof sensor and connector
- Spout#: 2 - 4" (102mm) Cast Lavatory Spout
- Outlet#: 6 - Vandal Resistant 1.0gpm (3.8L/min) Laminar Outlet
- Supplied as trim parts only – requires separate order of ELAVT0008ARI rough-in to have complete product
- H2Optics® technology – no external adjustments required
- Chrome-plated CAST 102 mm (4") spout body with integral sensor
- Adjustable sensing range and timeout
- Battery (4 "C" cell) or Hardwire (24VAC) infrared electronic handwash
- Serviceable filter screen upstream of the solenoid valve
- Metal hold-down package
- Vandal Resistant 10" x 10" Metal Box for RECESSED OR SURFACE mounting- with THERMOSTATIC MIXING VALVE-FACTORY PLUMBED FOR EASY FIELD INSTALLATION-requires HOT AND COLD WATER supplies - with Metal Cover

OPERATION:

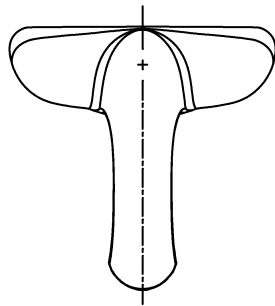
- Hands free (touchless) operation.
- Water flows when sensor is activated.
- Water flow stops upon de-activation of sensor.
- Adjustable auto shut-off feature. Factory set to 45 seconds. Will reset once obstruction is removed.
- Adjustable sensing distance 76 to 381mm (3" to 15") factory set to 229mm (9") (± 3.0")
- Low battery audible beep (for battery models only) will activate after faucet shuts off when approximately 1500 cycles remain.
- Metering mode with selectable flow times of 7 seconds to 4 minutes, factory set off.
- Periodic Rinse feature, time adjustable in 6 hour increments up to 2 days. Selectable rinsing lengths from 10 to 180 seconds. Factory set off.

(Dimensional drawing on following page)

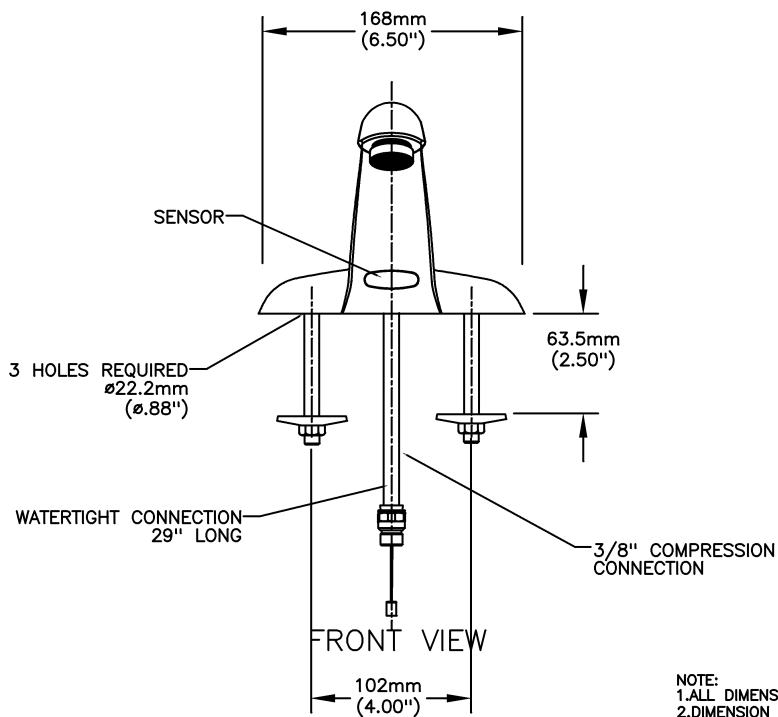
Delta reserves the right (1) to make changes to specifications and materials, and (2) to change or discontinue models, both without notice or obligation. Dimensions are for reference. Measurement may vary plus or minus 6mm(0.25"). Mounting locations are suggested only. Check with local codes for requirements in your area. This spec was produced January 17, 2017.

Delta Faucet Company - 55 East 111th St. - Indianapolis, Indiana, USA 46280 - (317) 848-1812
Delta Faucet Canada - 395 Matheson Blvd E - Mississauga, Ontario, Canada L4Z 2H2 - (905) 712-3030

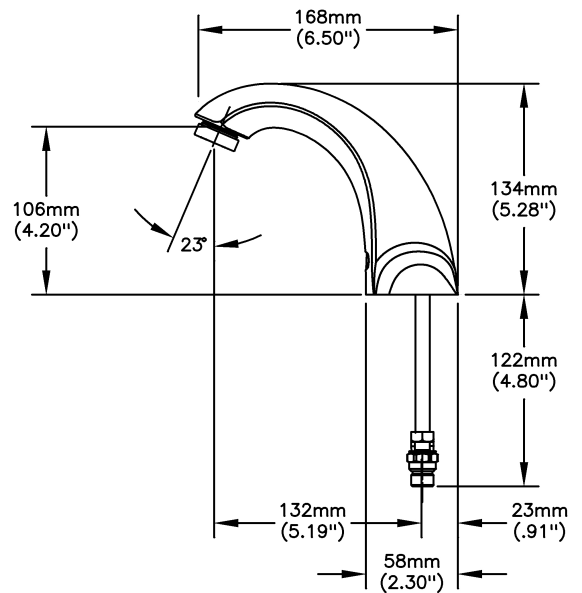
Model No: 591T1268TR



TOP VIEW



FRONT VIEW



SIDE VIEW

NOTE:
 1.ALL DIMENSIONS ARE IN MM
 2.DIMENSION INSIDE () ARE IN INCHES.

Delta reserves the right (1) to make changes to specifications and materials, and (2) to change or discontinue models, both without notice or obligation. Dimensions are for reference. Measurement may vary plus or minus 6mm(0.25"). Mounting locations are suggested only. Check with local codes for requirements in your area. This spec was produced January 17, 2017.

Delta Faucet Company - 55 East 111th St. - Indianapolis, Indiana, USA 46280 - (317) 848-1812
 Delta Faucet Canada - 395 Matheson Blvd E - Mississauga, Ontario, Canada L4Z 2H2 - (905) 712-3030