




Electronic Faucets

Battery Operated(4 C cell) - Deckmount Gooseneck Spout with Integral Sensor in Base

Model No: 3001T3320A-R35

COMPLIES WITH:

- CSA certified
- Complies to ASME A112.18.1/CSA B125.1
-  Indicates compliance to ICC/ANSI A117.1
- Verified compliant with 0.25% weighted average Pb content regulations
- Outlet options 2, 3 and 7 are EPA WaterSense listed
- Verified compliant with 0.25% weighted average Pb content regulations
- Patented.
- NOTE: Designed for routine 171°F (77°C) disinfection cycles up to 30 minutes.
- (Contact Delta Representative for State and/or Local Approvals)



NOTES:

Verified to <0.25% Pb average wetted surface regulations

CA/VT Compliance:

This COMPLETE SERIES is ONLY available as CA/VT Compliant product as of April 15, 2013.

The Product Numbers have NOT changed.

Control Box(0A) - Supplied as COMPLETE PRODUCT ONLY

SPECIFICATION:

- Infrared electronic handwash system
- H²Optics® technology- no external adjustments required
- Chrome plated one piece cast main body with integral sensor and FIXED spout
- Field adjustable water resistant program controller with LCD screen
- Controller retains adjusted settings in event of power failure
- Visual battery strength indicator
- Spout: R35 - Gooseneck spout - 6.0" spout reach - 8.3" height (unmounted) - Standard rigid installation - Vandal resistant .090" wall thickness (R35)
- Outlet#: 2 - Vandal Resistant 1.5 USGPM (5.7 L/Min) Laminar w/ Antimicrobial by AgION™
- Solenoid and Controller in Plastic Surface Mount Housing-NO MIXING VALVE SUPPLIED
- Forged brass solenoid valve
- Single hole deckmount FIXED gooseneck spout(R5) with integral sensor in base

OPERATION:

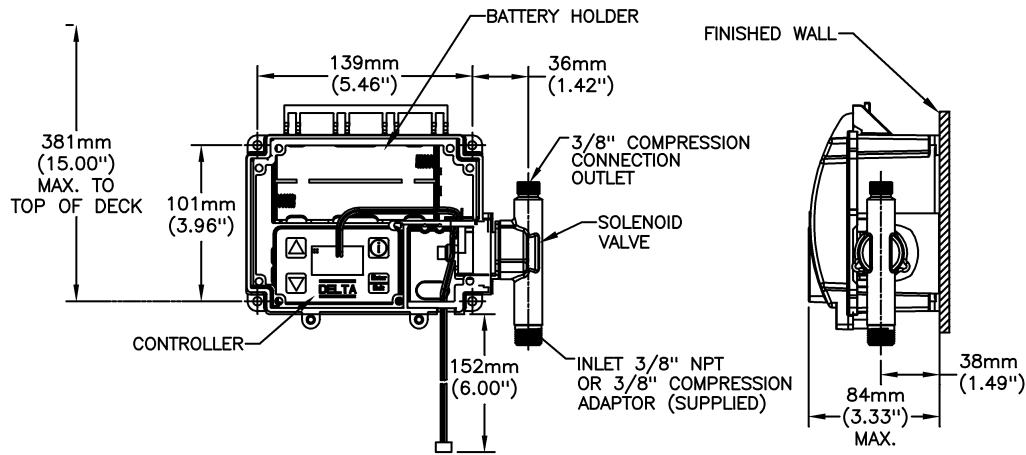
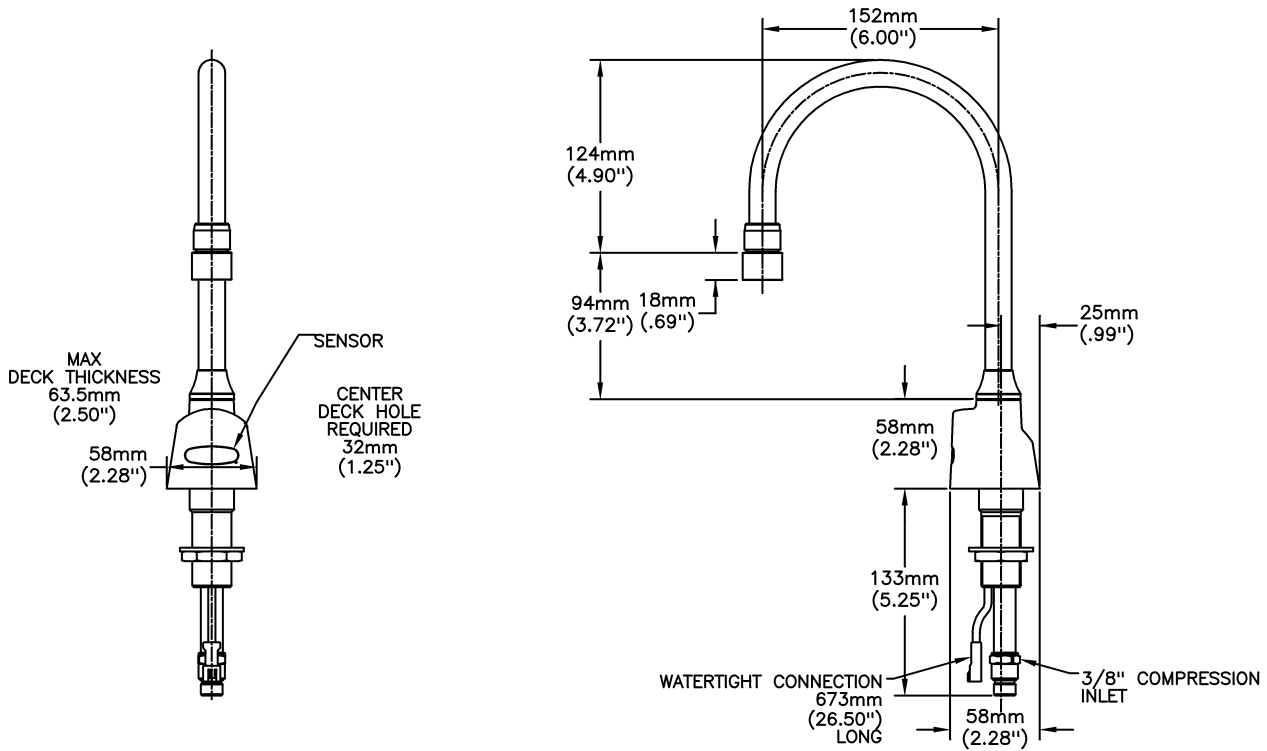
- Water flows when sensor is activated.
- Water flow stops at the selected run-on time after user removes hands from sensing zone. Run-on time selections are 0 to 8 seconds or 1 to 8 minutes for scrub-up applications. Factory set to 0 seconds.
- Blocking time between uses has selectable range of 1 to 8 seconds. Factory set to 1 second.
- Adjustable response time.
- Auto shut-off feature.
- Optional metered program mode with selection of 7 to 240 seconds of continuous operation.
- Adjustable sensing distance 76 to 381mm (3" to 15") factory set to 254mm (10") (± 3.0").

(Dimensional drawing on following page)

Delta reserves the right (1) to make changes to specifications and materials, and (2) to change or discontinue models, both without notice or obligation. Dimensions are for reference. Measurement may vary plus or minus 6mm(0.25"). Mounting locations are suggested only. Check with local codes for requirements in your area. This spec was produced January 03, 2017.

Delta Faucet Company - 55 East 111th St. - Indianapolis, Indiana, USA 46280 - (317) 848-1812
Delta Faucet Canada - 395 Matheson Blvd E - Mississauga, Ontario, Canada L4Z 2H2 - (905) 712-3030

Model No: 3001T3320A-R35



WATER CONNECTION TO SPOUT IS BY FACTORY SUPPLIED 508 MM (20") LONG STAINLESS STEEL HOSE

Delta reserves the right (1) to make changes to specifications and materials, and (2) to change or discontinue models, both without notice or obligation. Dimensions are for reference. Measurement may vary plus or minus 6mm(0.25"). Mounting locations are suggested only. Check with local codes for requirements in your area. This spec was produced January 03, 2017.

Delta Faucet Company - 55 East 111th St. - Indianapolis, Indiana, USA 46280 - (317) 848-1812
 Delta Faucet Canada - 395 Matheson Blvd E - Mississauga, Ontario, Canada L4Z 2H2 - (905) 712-3030