

Electronic Sensor Activated Wallmount Faucet for Metered Mixed & Cold Water (HW)

TECK[®]
COMMERCIAL



ROUGH-IN Specification: (example)

- Rough-in parts only – requires separate order of 3000T4128ATR trim to have complete product.
- Hardwire (24 VAC) infrared electronic handwash system.
- 254 mm (10") square metal box with cover – Hot and Cold inlet supplies with stops, factory assembled with a point of use thermostatic mixing valve with integral check valves to prevent crossflow.
- 102 mm (4") square box with extension and plasterguard for sensor wall plate.
- 102 mm (4") square box for spout wall plate.
- Outlet temperature range 35 - 48°C (95 - 118°F) on thermostatic mixing valve.
- Maximum flow of 5.8 gpm (22 L/min) @ 45 PSI pressure loss, minimum flow of 0.35 gpm (1.3 L/min) on thermostatic mixing valve.
- Outlet flow reduced to a trickle in the event of a cold water supply failure.

ROUGH-IN Models

- 3000T4128ARI (Hardwire)

Approvals:

- CSA certified to CSA B125.3, ASSE 1070 and NSF372
- Complies to NSF61 Section 9
- Verified compliant with 0.25% weighted average Pb content regulations

(Contact Delta Representative for State and/or Local Approvals.)

TRIM Specification: (example)

- Trim parts only – requires separate order of 3000T4128ARI to have complete product.
- Hardwire (24 VAC) infrared electronic handwash system.
- 114 mm (4.5") square stainless steel wall plate with H₂Optics[®] dual sensor for mixed or cold water.
- 114 mm (4.5") square stainless steel wall plate with chrome plated rigid stub spout supplied with a 1.5 gpm (5.7 L/min) laminar swivel outlet.
- 305 mm (12") square stainless steel wall plate for recessed mounting of below deck 254 mm (10") metal box.
- Controller factory set to 203 mm (8") sensor range and a meter mode of 10 seconds flow time – Field adjustable and retains settings in event of a power failure.

TRIM Models

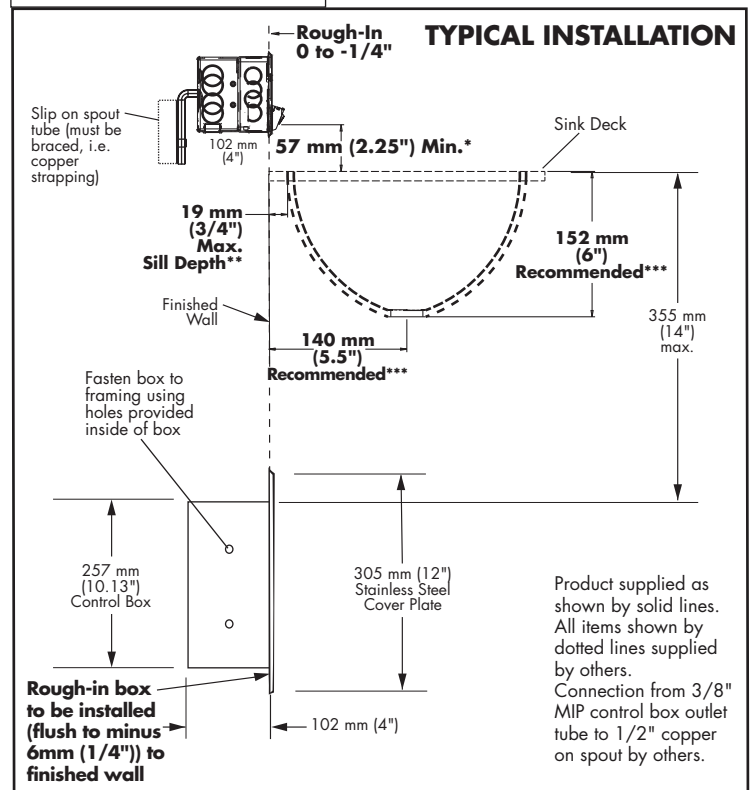
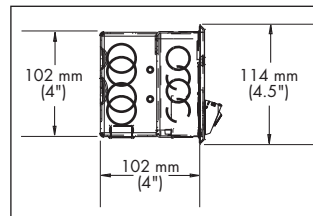
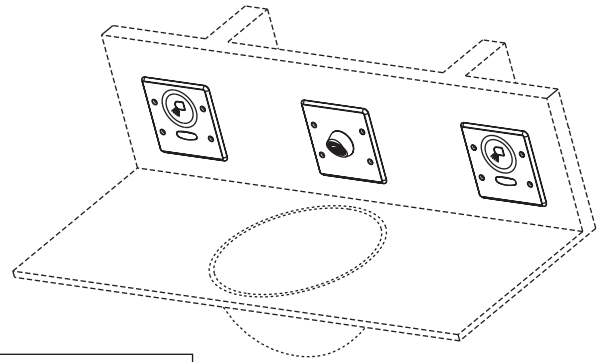
- 3000T4128ATR (Hardwire)
- 3000T4128ATR-BB (Hardwire with 9V Battery Back-up)

Approvals:

- CSA certified
- Complies to ASME A112.18.1/CSA B125.1
- Indicates compliance to ICC/ANSI A117.1
- EPA WaterSense listed
- Verified compliant with 0.25% weighted average Pb content regulations

(Contact Delta Representative for State and/or Local Approvals.)

* Note: Not for use as an anti-ligature device.



* A minimum 57 mm (2-1/4") installation height above fixture rim is required unless a greater air gap is designated by local codes/regulations.

** A maximum sill depth of 19 mm (3/4") from backsplash to sink edge is allowable.

Engineer/Architect Approval

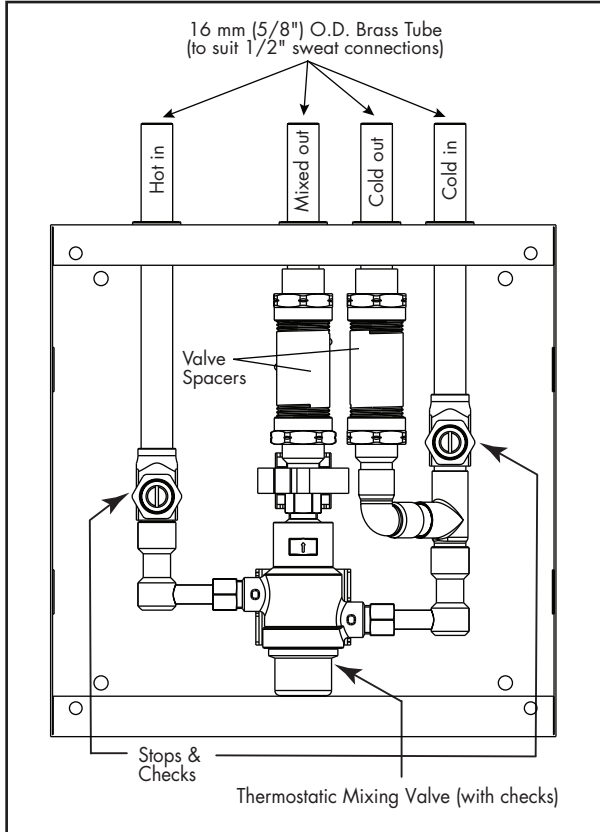
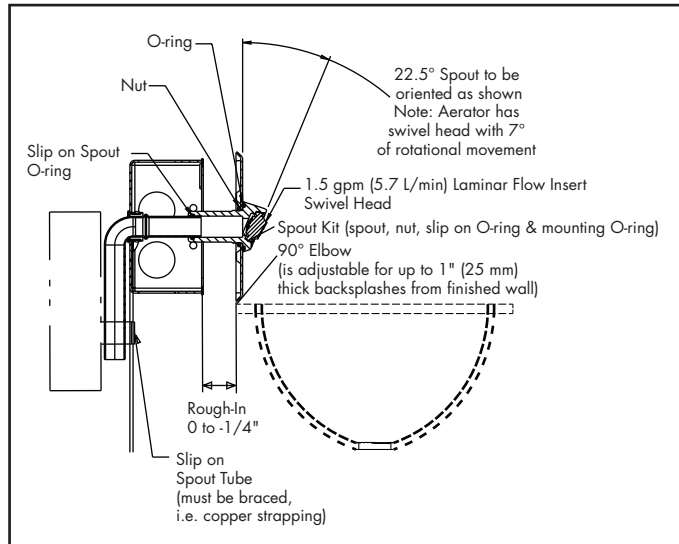
Model Specified:

Approval:

Date:

Note: Measurements may vary ± 6mm (0.25")



Below Deck Control Box

22.5° Wall Spout

Engineer/Architect Approval

Model Specified:

Approval:

Date:

Note: Measurements may vary ± 6mm (0.25")