



Sink Faucet Wallmount

Rough chrome plated cast brass wallmount service sink faucet
colour indexed metal lever handles
1/4 turn ceramic structures

Model No: 28C9LH-AC

COMPLIES WITH:

- CSA certified
- Complies to ASME A112.18.1/CSA B125.1 including integral back siphonage protection
- "LH" handles meet ADA compliant to ICC/ ANSI A117.1/ADA
- (Contact Delta Representative for State and/or Local Approvals)



SPECIFICATION:

- CAST BRASS wallmount service sink faucet
- Two handle
- Integral stops
- Rough chrome plated finish
- Pail hook
- Inline vacuum breaker
- Hose-end spout
- Wall brace
- Color indexed metal lever handles - 102mm (4")
- 1/4 turn ceramic structures
- 203mm (8") centers
- (AC)-with 5-1/2" to 10-1/2" Adjustable Centers

OPERATION:

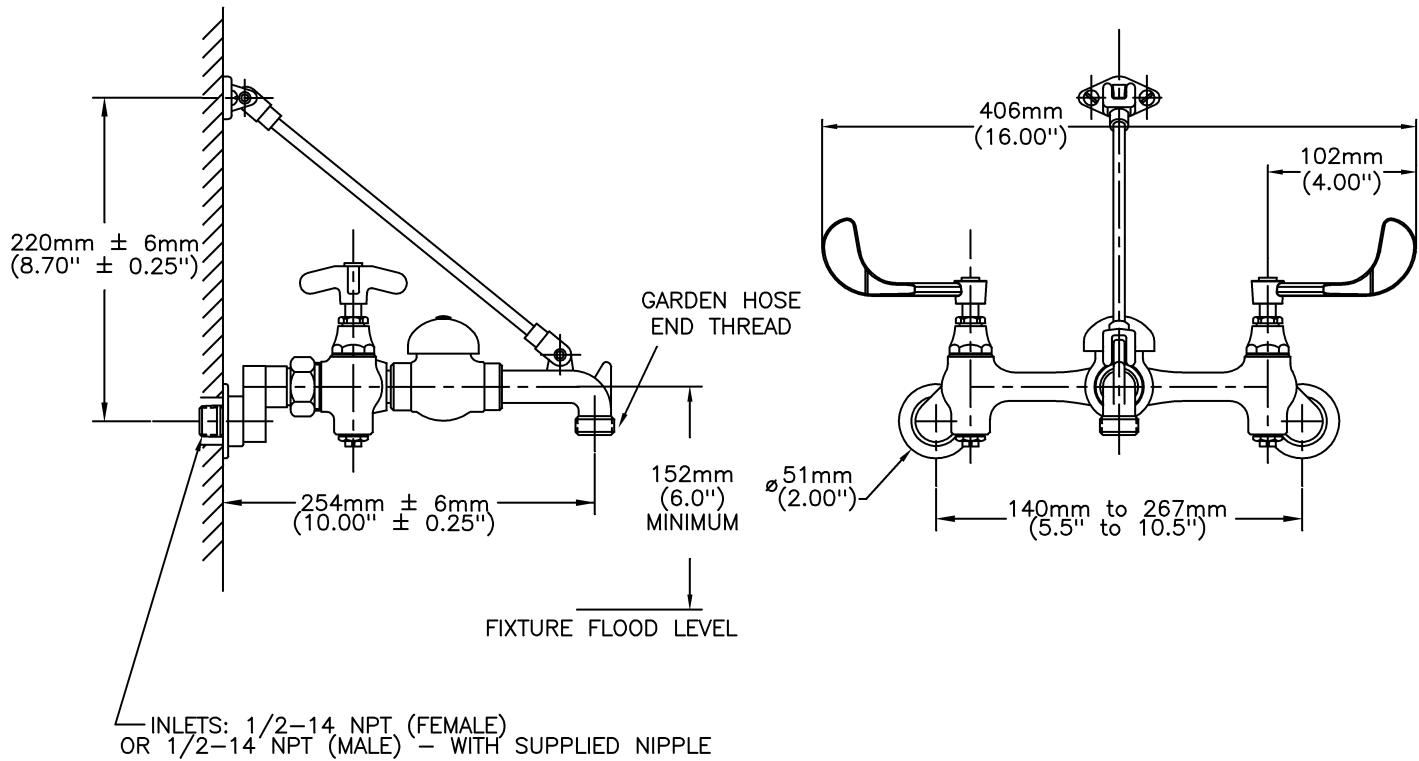
- Not Available

(Dimensional drawing on following page)

Delta reserves the right (1) to make changes to specifications and materials, and (2) to change or discontinue models, both without notice or obligation. Dimensions are for reference. Measurement may vary plus or minus 6mm(0.25"). Mounting locations are suggested only. Check with local codes for requirements in your area. This spec was produced December 29, 2016.

Delta Faucet Company - 55 East 111th St. - Indianapolis, Indiana, USA 46280 - (317) 848-1812
Delta Faucet Canada - 395 Matheson Blvd E - Mississauga, Ontario, Canada L4Z 2H2 - (905) 712-3030

Model No: 28C9LH-AC



28C9LH-AC Rev A

Delta reserves the right (1) to make changes to specifications and materials, and (2) to change or discontinue models, both without notice or obligation. Dimensions are for reference. Measurement may vary plus or minus 6mm(0.25"). Mounting locations are suggested only. Check with local codes for requirements in your area. This spec was produced December 29, 2016.

Delta Faucet Company - 55 East 111th St. - Indianapolis, Indiana, USA 46280 - (317) 848-1812
Delta Faucet Canada - 395 Matheson Blvd E - Mississauga, Ontario, Canada L4Z 2H2 - (905) 712-3030