




## Electronic Faucets

Wallmount Gooseneck Spout with Integral Sensor in Base

### Model No: 1500T4618

#### COMPLIES WITH:

- Control Box #0 and #1 CSA certified to ASME A112.18.1/CSA B125.1 and NSF372
- Control Box #8 CSA certified to ASME A112.18.3/CSA B125.3 and NSF372
- Thermostatic Mixing Valve IAPMO listed to ASSE 1069, 1070
- CSA certified
- Complies to ASME A112.18.1/CSA B125.1
-  Indicates compliance to ICC / ANSI A117.1
- Outlet options 2, 3 and 7 are EPA WaterSense listed
- Verified compliant with .25% weighted average Pb content regulations
- Patented
- NOTE 1: For optimum performance of this product, we recommend a system pressure between 20 and 80 psi static. This product will operate up to a maximum of 125 psi static per ANSI and CSA requirements. However, we do not recommend pressures above 80 psi. Thermal expansion or leaking pressure reducing valves may require use of expansion tanks or relief valves to ensure your system never exceeds its maximum intended pressure setting.
- NOTE 2: Control Box #0 and #1 are designed for routine 171°F (77°C) disinfection cycles up to 30 minutes.
- NOTE 3: Control Box #8 is not recommended for high temperature disinfection cycles as the thermostatic mixing valve limits the higher temperature flow output.
- (Contact Delta Representative for State and/or Local Approvals)



#### NOTES:

Control Box(1500T4xx8) - Supplied as COMPLETE PRODUCT ONLY

#### SPECIFICATION:

- Supplied as complete product only
- H2OPTICS® technology – no external adjustments required
- Chrome plated wallmount one piece cast main body with integral sensor
- Adjustable sensing range and timeout
- Wallmount Gooseneck Spout with Integral Sensor in Base
- Spout: R5 - Smooth End Gooseneck - 6.0" spout reach - 12.0" height (unmounted) - Standard rigid installation - Vandal resistant .090" wall thickness (R5SE)
- Outlet#: 1 - Smooth End, Laminar Flow Control in Base of Gooseneck Spout 2.2 USGPM (8.3 L/min)
- (24 VAC) Hardwire powered by Class II transformer (purchased separately)
- Hardwire Version comes complete with watertight connector and Hardwire Converter 24VAC to 6VDC
- Optional battery backup available
- Fixed Wallmount Gooseneck Spout (R5) with Integral Sensor in Base
- Vandal Resistant 10" x 10" Metal Box with Cover for RECESSED or SURFACE mounting includes THERMOSTATIC MIXING VALVE
- FACTORY PLUMBED FOR EASY FIELD INSTALLATION
- Requires HOT and COLD water supplies

#### OPERATION:

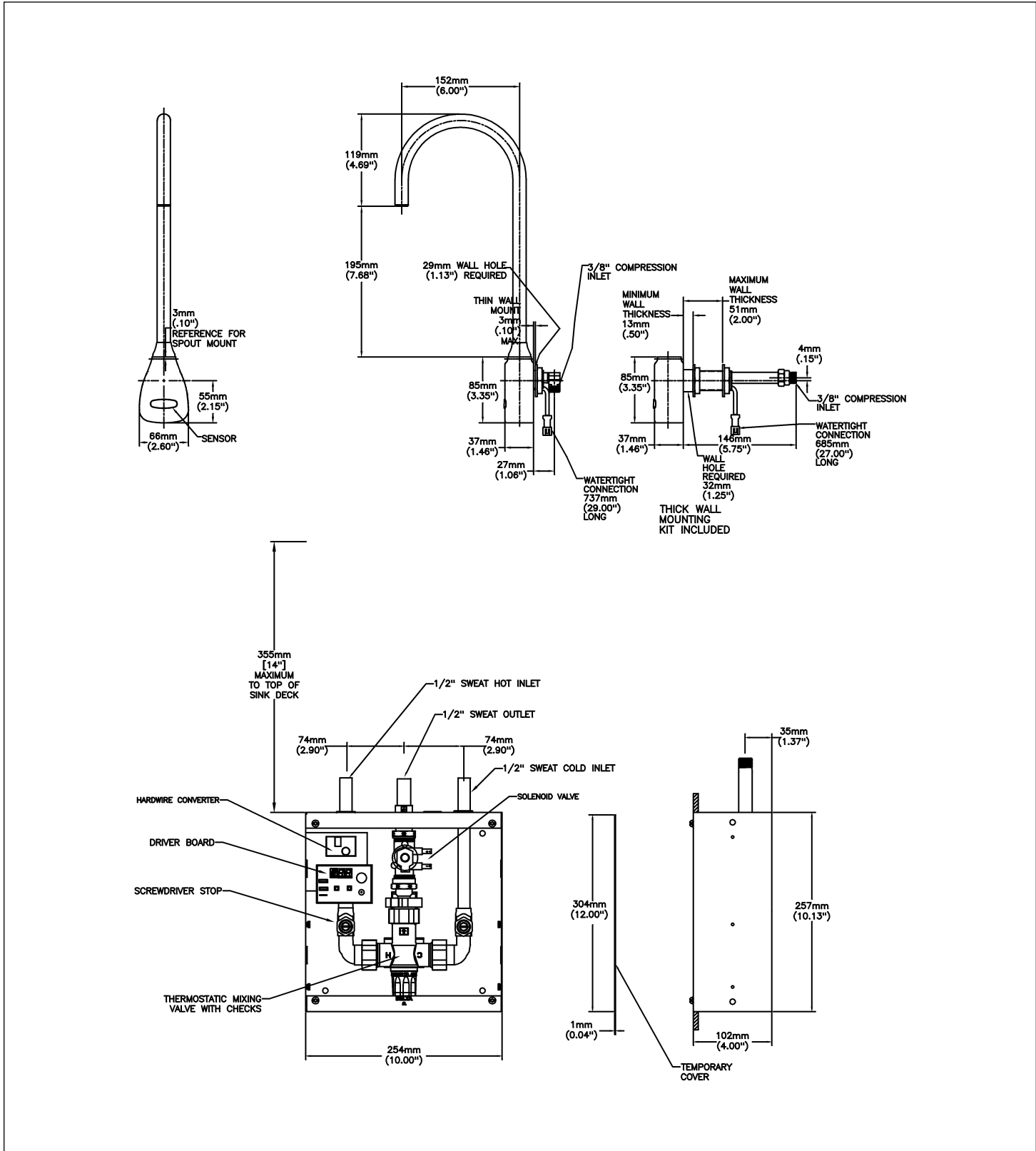
- Hands free (touchless) operation.
- Water flows when sensor is activated.
- Water flow stops upon de-activation of sensor.
- Adjustable auto shut-off feature. Factory set to 45 seconds. Will reset once obstruction is removed.
- Adjustable sensing distance 76 to 381mm (3" to 15") factory set to 229mm (9") (±3.0")
- Low battery audible beep (for battery models only) will activate after faucet shuts off when approximately 1500 cycles remain.
- Metering mode with selectable flow times of 7 seconds to 4 minutes, factory set off.
- Periodic Rinse feature, time adjustable in 6 hour increments up to 2 days. Selectable rinsing lengths from 10 to 180 seconds. Factory set off.

***(Dimensional drawing on following page)***

Delta reserves the right (1) to make changes to specifications and materials, and (2) to change or discontinue models, both without notice or obligation. Dimensions are for reference. Measurement may vary plus or minus 6mm(0.25"). Mounting locations are suggested only. Check with local codes for requirements in your area. This spec was produced December 16, 2016.

Delta Faucet Company - 55 East 111th St. - Indianapolis, Indiana, USA 46280 - (317) 848-1812  
Delta Faucet Canada - 395 Matheson Blvd E - Mississauga, Ontario, Canada L4Z 2H2 - (905) 712-3030

Model No: 1500T4618



Delta reserves the right (1) to make changes to specifications and materials, and (2) to change or discontinue models, both without notice or obligation. Dimensions are for reference. Measurement may vary plus or minus 6mm(0.25"). Mounting locations are suggested only. Check with local codes for requirements in your area. This spec was produced December 16, 2016.

Delta Faucet Company - 55 East 111th St. - Indianapolis, Indiana, USA 46280 - (317) 848-1812  
 Delta Faucet Canada - 395 Matheson Blvd E - Mississauga, Ontario, Canada L4Z 2H2 - (905) 712-3030