




Lavatory Faucets

Widespread with CER-TECK® ceramic structures

Model No: 23C353

COMPLIES WITH:

- CSA certified
- Complies to ASME A112.18.1/CSA B125.1
- Verified compliant with 0.25% weighted average Pb content regulations
-  Handles No. 2, 3, 4, and 5
Indicates compliance to ICC/ANSI A117.1
- (Contact Delta Representative for State and/or Local Approvals)



NOTES:

23T - Widespread with TUF-TECK® compression structures

SPECIFICATION:

- Two handle widespread lavatory faucet
- 152 to 305mm (6" to 12") adjustable centers
- Polished chrome plated finish trim
- CAST BRASS bodies
- 4 1/2" CAST BRASS spout or 3/8" IPS BRASS PIPE Rigid/Swivel Gooseneck Spout
- Metal hold-down package
- Color indexed metal handles with vandal resistant screws
- CER-TECK® 1/4 turn ceramic structures
- Outlet#: 5 - Vandal Resistant 0.5gpm (1.9 L/min) Laminar Outlet
- Handle#: 3 - 76 mm (3") Lever Blade Handles-ADA Compliant-Metal-Color indexed-Vandal Resistant (VR) screws
- Cast Spout, Less Pop-up (No Pop-up Hole)

OPERATION:

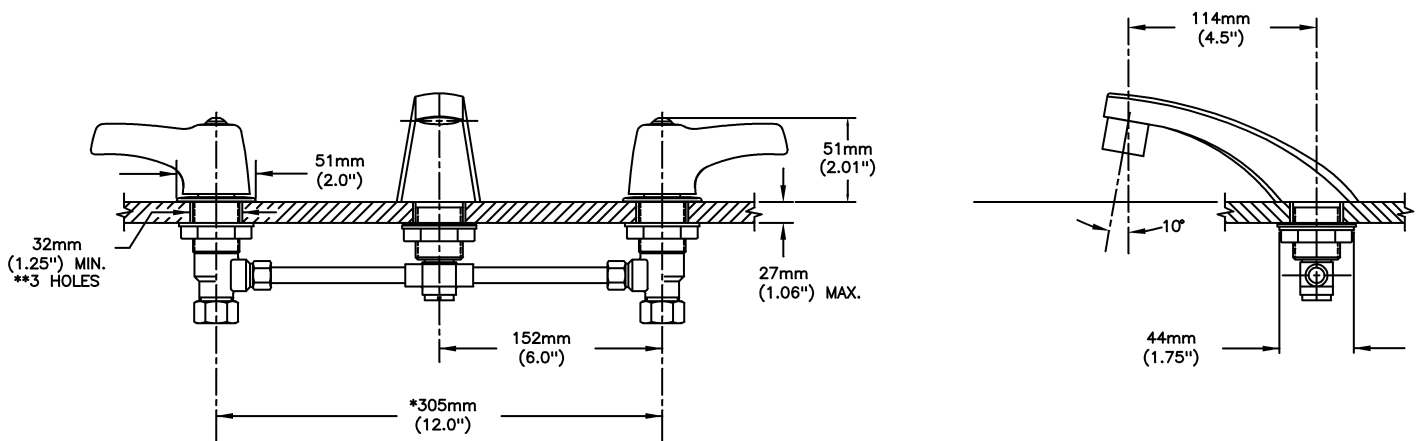
- Not Available

(Dimensional drawing on following page)

Delta reserves the right (1) to make changes to specifications and materials, and (2) to change or discontinue models, both without notice or obligation. Dimensions are for reference. Measurement may vary plus or minus 6mm(0.25"). Mounting locations are suggested only. Check with local codes for requirements in your area. This spec was produced April 29, 2021.

Delta Faucet Company - 55 East 111th St. - Indianapolis, Indiana, USA 46280 - (317) 848-1812
Delta Faucet Canada - 395 Matheson Blvd E - Mississauga, Ontario, Canada L4Z 2H2 - (905) 712-3030

Model No: 23C353



- * CAN BE CUT IN FIELD TO 152mm (6.0") MINIMUM
- ** SPOUT HOLE 38mm (1.5") MAXIMUM DIAMETER

INLET FOR 3/8" OR 1/2" FLEXIBLE RISER
OR 1/2-14 NPSM COUPLING NUT (NOT SUPPLIED)

Delta reserves the right (1) to make changes to specifications and materials, and (2) to change or discontinue models, both without notice or obligation. Dimensions are for reference. Measurement may vary plus or minus 6mm(0.25"). Mounting locations are suggested only. Check with local codes for requirements in your area. This spec was produced April 29, 2021.

Delta Faucet Company - 55 East 111th St. - Indianapolis, Indiana, USA 46280 - (317) 848-1812
Delta Faucet Canada - 395 Matheson Blvd E - Mississauga, Ontario, Canada L4Z 2H2 - (905) 712-3030