

Single Control Cast Lavatory Faucet

TECK®

DELTA
COMMERCIAL

Specification: (example)

- **CAST BRASS** centerset faucet
- Single control, 102mm (4") centers
- Polished chrome plated finish
- Ceramic cartridge with rotational limit stop
- Metal hold-down package
- Vandal resistant 89mm (3 1/2") ADA compliant lever handle with color index and ... with ... (add product variation required) with ... (add outlet required)



Specification: (example)

- **CAST BRASS** single control lavatory faucet
- Single hole mount Metal hold-down package
- Polished chrome plated finish
- Ceramic cartridge with rotational limit stop
- Vandal resistant 89mm (3 1/2") ADA compliant lever handle with color index, and ... with ... (add product variation required) with ... (add outlet required)

Engineer/Architect Approval













Model Specified:

Approval:

Date:

DESCRIPTION	PRODUCT NO.				
Single Control Centerset Faucet	22C			I	For Chrome
	22C			I	-SS For Brilliance® Stainless Steel



PRODUCT VARIATION	OUTLET	HANDLE
0 102mm (4") Centerset Less Pop-up (with Pop-up hole) <input type="checkbox"/> 	0 Vandal Resistant Outlet (Wrench Flats) 2.2 USGPM (8.3 L/min) <input type="checkbox"/> 	0 <input type="checkbox"/>
1 102mm (4") Centerset Less Pop-up (No Pop-up hole) <input type="checkbox"/> 	1 <input type="checkbox"/>	1 89mm (3-1/2") ADA Compliant Lever Handle <input checked="" type="checkbox"/> 
2 102mm (4") Centerset with 50/50 Pop-up <input type="checkbox"/>	2 Vandal Resistant 1.5 USGPM (5.7 L/min.) Laminar w/Antimicrobial by AgION™ <input type="checkbox"/> 	2 <input type="checkbox"/>
3 102mm (4") Centerset with Metal Pop-up <input type="checkbox"/>	3 Vandal Resistant 1.5 USGPM (5.7 L/min.) Flow Control Aerator <input type="checkbox"/> 	3 <input type="checkbox"/>
4 102mm (4") Centerset with Open Grid Strainer (No Pop-up hole) <input type="checkbox"/> 	4 Standard 1.5 USGPM (5.7 L/min.) Flow Control Aerator <input type="checkbox"/> 	4 <input type="checkbox"/>
5 102mm (4") Centerset with Offset Open Grid Strainer (No Pop-up hole) <input type="checkbox"/> 	5 Vandal Resistant 0.5 USGPM (1.9 L/min.) Flow Control Non-Aerating Spray Outlet <input type="checkbox"/> 	5 <input type="checkbox"/>
6 Single Hole Mount Less Pop-up (No Pop-up hole) <input type="checkbox"/> 	6 <input type="checkbox"/>	6 <input type="checkbox"/>
7 Single Hole Mount with 50/50 Pop-up <input type="checkbox"/>	7 <input type="checkbox"/>	7 <input type="checkbox"/>
8 Single Hole Mount with Metal Pop-up <input type="checkbox"/>	8 <input type="checkbox"/>	8 <input type="checkbox"/>
9 Single Hole Mount with Open Grid Strainer (No Pop-up hole) <input type="checkbox"/> 	9 <input type="checkbox"/>	9 <input type="checkbox"/>

Flowrates are at 60 PSI.

Refer to www.specselectonline.com for individual models.

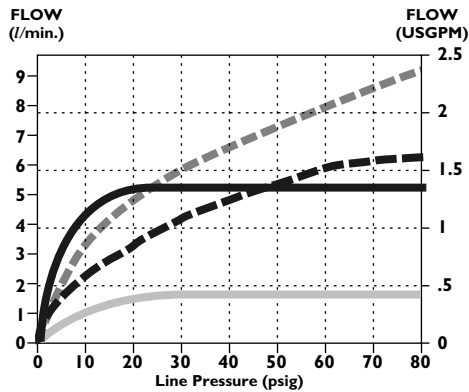
Note: Use this page front and back as a product submittal sheet.

Delta reserves the right (1) to make changes in specifications and materials, and (2) to change or discontinue models, both without notice or obligation. Dimensions are for reference only. See current full-line price book or www.specselectonline.com for finish options and product availability.

Approvals:

- CSA certified
 - Complies to ASME A112.18.1
 - Complies to ASME A112.18.6 for Flex Connector Models
 - ADA Compliant and meets Handicapped Accessibility Standard ASME A117.1 of less than 5 lbs. operating force.
 - IAPMO listed
- (Contact Delta Representative for State and/or Local Approvals.)

FLOWRATE vs PRESSURE

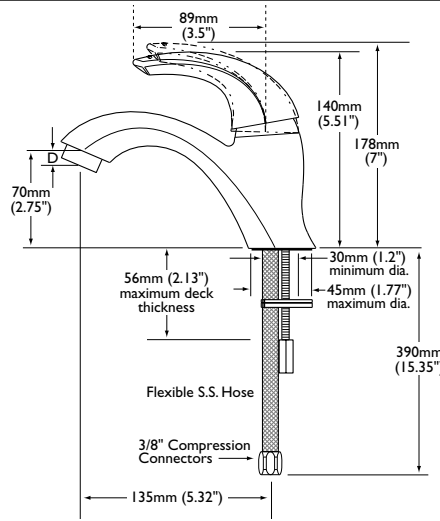


Spout Outlets

- No. 0 Aerator
- No. 3 & 4 Aerator
- No. 2 Laminar Flow Outlet
- - - No. 5 Low Flow Outlet

OUTLET NO.	"D"	
	mm	in.
0	7	0.28
2	11	0.45
3	11	0.45
4	11	0.45
5	11	0.45

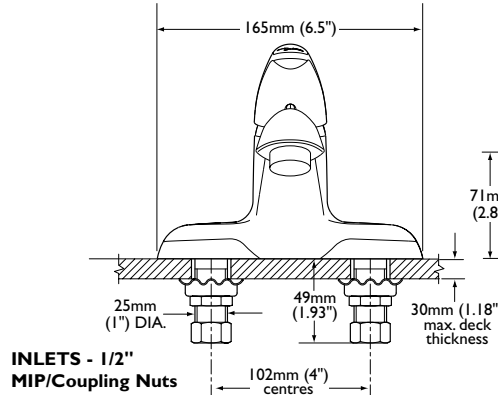
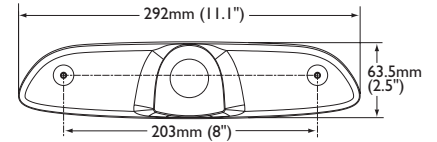
Note: Measurements may vary ± 6mm (0.25")



Available Option for Field Conversion

060552A

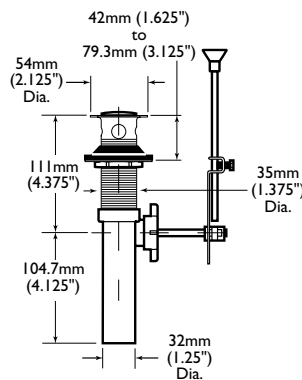
8" Forged CP Brass Coverplate for use with 22C6, 22C7, 22C8 and 22C9 Reduces max deck thickness to 38mm (1.5")



INLETS - 1/2" MIP/Coupling Nuts

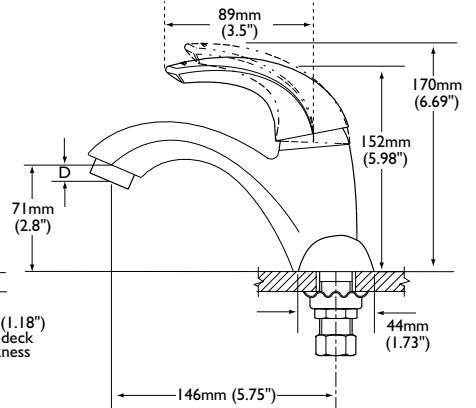
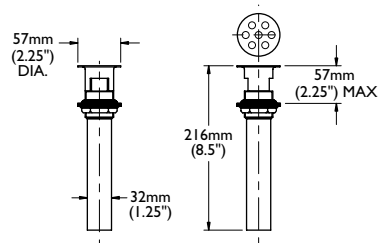
50/50 POPUP

(supplied with Product Variation 2 and 7)



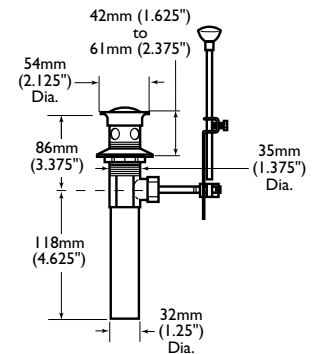
OPEN GRID STRAINER

(supplied with Product Variation 4 and 9)



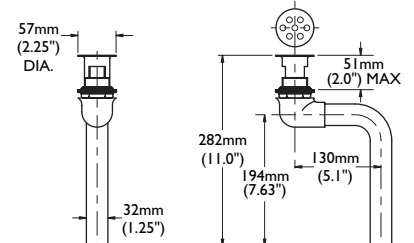
METAL POPUP

(supplied with Product Variation 3 and 8)



OFFSET OPEN GRID STRAINER

(supplied with Product Variation 5)



Refer to www.specselectonline.com for individual models.

Note: Use this page front and back as a product submittal sheet.