



see what Delta can do™

WALL BAR HAND HELD SHOWER

■ 5-Spray Setting Wall Bar Hand Shower

FEATURES:

- Touch-Clean® Nozzles
- H₂Okinetic Technology® Hand Shower

STANDARD SPECIFICATIONS:

- Maximum 1.75 gpm @ 80 psi, 6.6 L/min @ 550 kPa
- Hand held shower with five spray patterns – not a positive shut-off
- Wall bar w/adjustable slide (allows for adjustable shower height). Not to be used as a grab bar.
- 60" - 82" (1524mm-2083mm) metal stretchable hose
- Certified dual check valves

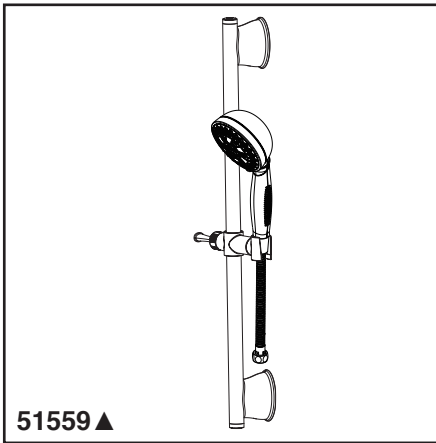
WARRANTY

- Lifetime limited warranty on parts (other than electronic parts and batteries) and finishes; or, for commercial users, for 5 years from the date of purchase.
- 5 year limited warranty on electronic parts (other than batteries); or for commercial users, for 1 year from the date of purchase. No warranty is provided on batteries.



COMPLIES WITH

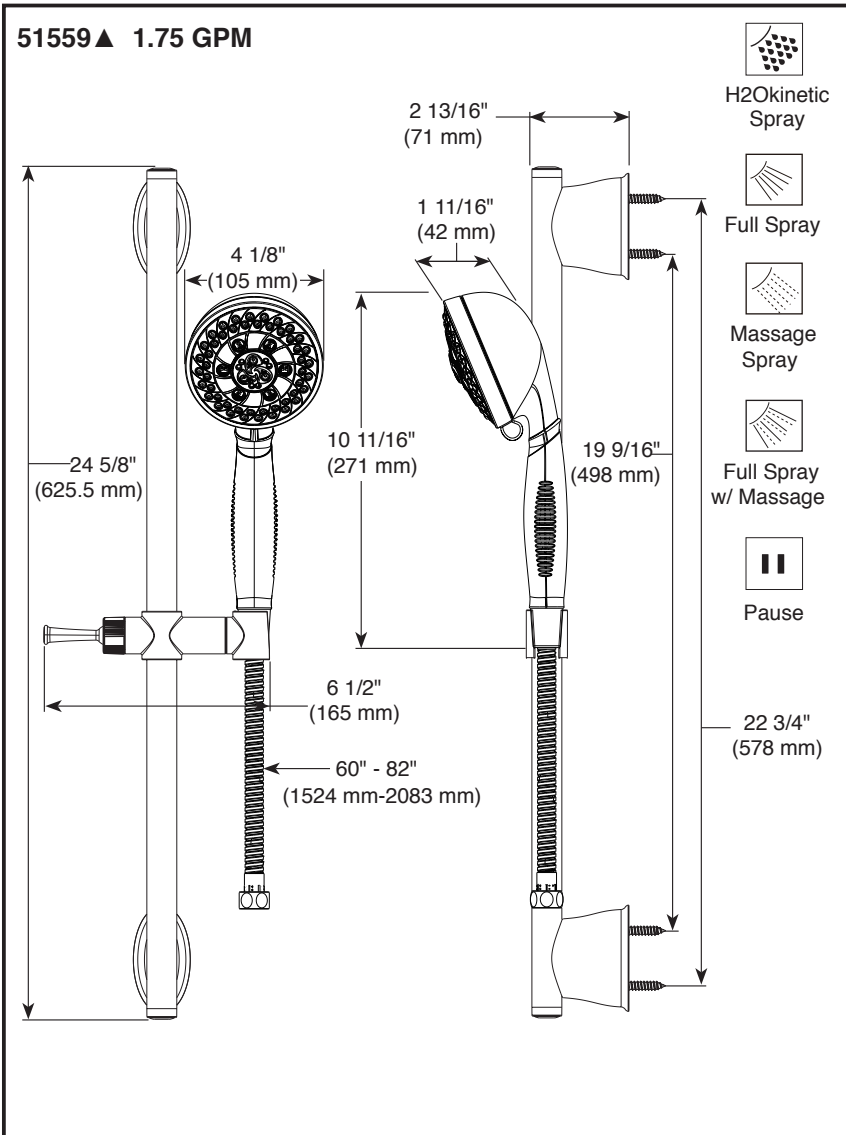
- ASME A112.18.1 / CSA B125.1
- EPA WaterSense®



51559▲

Submitted Model No.: _____

Specific Features: _____



▲ Designate proper finish suffix

Delta reserves the right (1) to make changes in specifications and materials, and (2) to change or discontinue models, both without notice or obligation. Dimensions are for reference only. See current full-line price book or www.deltafaucet.com for finish options and product availability.

Delta Faucet Company

55 E. 111th Street, Indianapolis, IN 46280
350 South Edgeware Road, St. Thomas, ON N5P 4L1
© 2017 Delta Faucet Company