



see what Delta can do<sup>SM</sup>

## ACCESSORIES

- Transitional Design
- Meets ADA Standards
- 12" Grab Bar
- 18" Grab Bar
- 24" Grab Bar
- 36" Grab Bar
- 42" Grab Bar

### STANDARD SPECIFICATIONS:

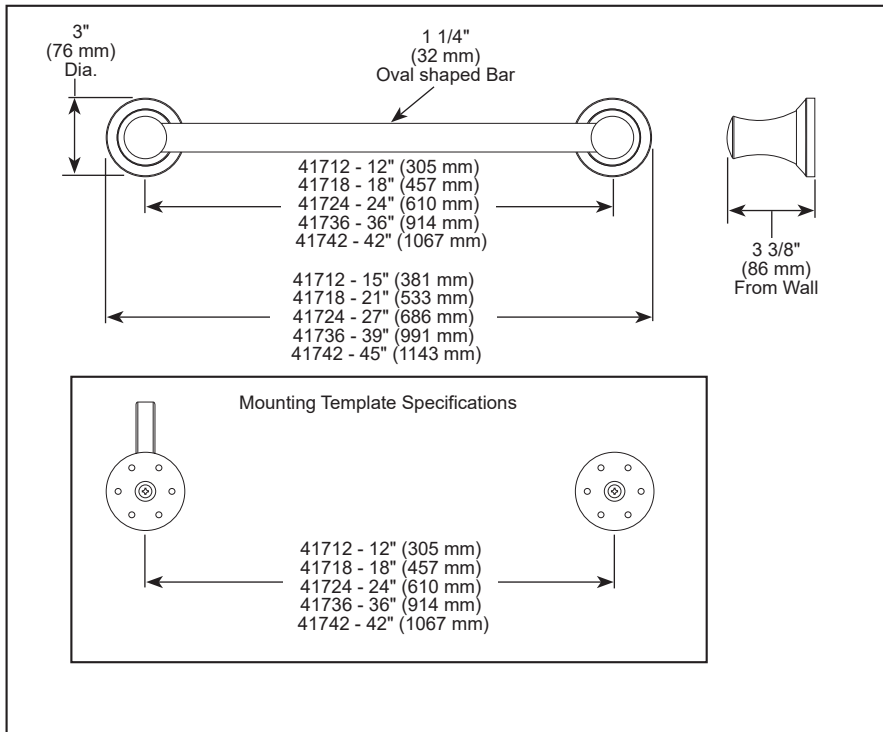
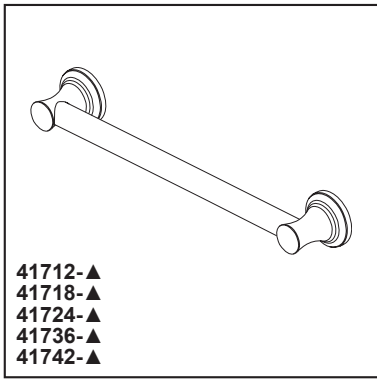
- Wood blocking is preferable behind all wall surfaces. If wood blocking is not available, the supplied fasteners are recommended.
- Mounting hardware and mounting template included with product.
- ADA compliant grab bar when installed per accessibility guidelines of the act.
- Transitional design includes oval shaped bar.

### WARRANTY

- Parts and Finish – Lifetime limited warranty; or for commercial purchasers, 10 years for multi-family residential (apartments and condominiums) and 5 years for all other commercial uses, in each case from the date the product is received by the original purchaser or their authorized representative (installation contractor, etc.).
- Please go to [www.deltafaucet.com](http://www.deltafaucet.com) for the complete details of our limited warranty.

### COMPLIES WITH:

ICC/ANSI A117.1



▲ Designate Proper Finish Suffix