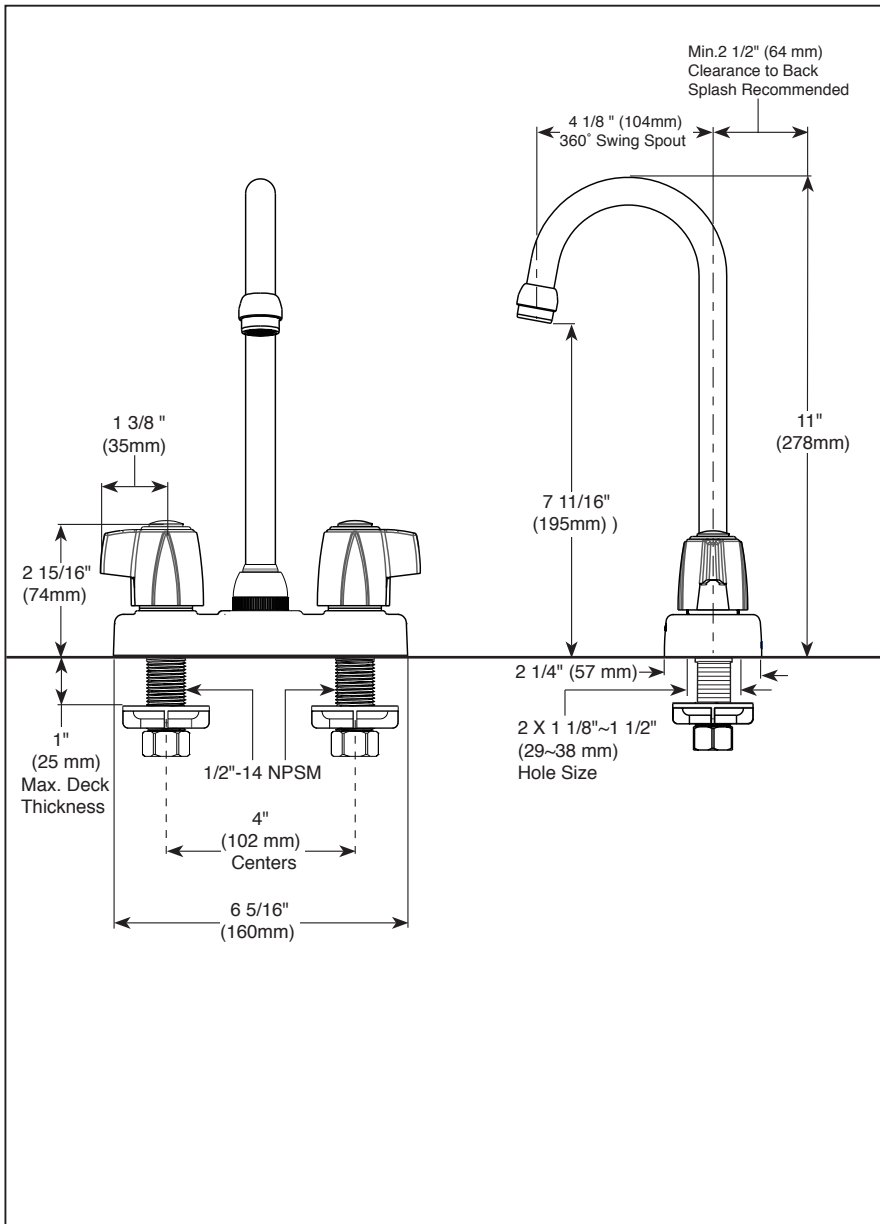


2171LF



Submitted Model No.: \_\_\_\_\_

Specific Features: \_\_\_\_\_



## BAR & PREP SINK FAUCETS

- Two Handle, Deck Mount
- 2 and 3 Hole Sink Applications
- 4" Centerset

### STANDARD SPECIFICATIONS:

- Maximum flow rate 1.5 gpm @ 60 psi, 5.7 L/min @ 414 kPa.
- Two handle bar sink faucet for exposed mounting on 2 and 3 hole sinks with 4" centers.
- 4" (102mm) centerset.
- 4 1/8" (104mm) long, 11" (278mm) high spout, swings 360°.
- All operating parts shall be replaceable from the top.
- Hot and cold stems are interchangeable.
- 1/2"-14 NPSM threaded male inlet shanks.
- Control mechanism is a rotating cylinder type with stainless steel plate and 90° rotating, with replaceable non-metallic seats.

### WARRANTY

- Lifetime limited warranty on parts (other than electronic parts and batteries) and finishes; or, for commercial users, for 5 years from the date of purchase.
- 5 year limited warranty on electronic parts (other than batteries); or for commercial users, for 1 year from the date of purchase. No warranty is provided on batteries.

### COMPLIES WITH:

- ASME A112.18.1 / CSA B125.1



Indicates compliance to  
ICC / ANSI A117.1

- Verified compliant with 0.25% weighted average Pb content regulations.

Delta reserves the right (1) to make changes in specifications and materials, and (2) to change or discontinue models, both without notice or obligation. Dimensions are for reference only. See current full-line price book or [www.deltafaucet.com](http://www.deltafaucet.com) for finish options and product availability.

