





Lavatory Faucets

4" Centerset- CER-TECK ceramic structures

Model No: 21C424

COMPLIES WITH:

- CSA certified
- Complies to ASME A112.18.1/CSA B125.1
- Verified compliant with 0.25% weighted average Pb content regulations
-  Handles No. 2, 3, 4 and 5
Indicates compliance to ICC/ANSI A117.1
-  Outlet options 2,3 and 4 are EPA WaterSense listed
- (Contact Delta Representative for State and/or Local Approvals)



NOTES:

21T - 4" Centerset - TUF-TECK® compression structures

SPECIFICATION:

- HEAVY DUTY CAST BRASS centerset faucet
- 102mm (4") centers, two handle
- Polished chrome plated finish with polished underspout
- Metal hold-down package
- Designed for routine 180°F (82°C) disinfection cycles up to 30 mins
- Outlet#: 2 - Vandal Resistant 1.5 GPM (5.7 L/Min) Laminar w/Agion® Antimicrobial
- Handle#: 4 - 102 mm (4") Blade Handles- ADA Compliant-Sanitary Hoods- Metal-Color indexed-Vandal resistant screws
- Standard Product With ADA Offset Open Grid Strainer (No Pop-up Hole)

OPERATION:

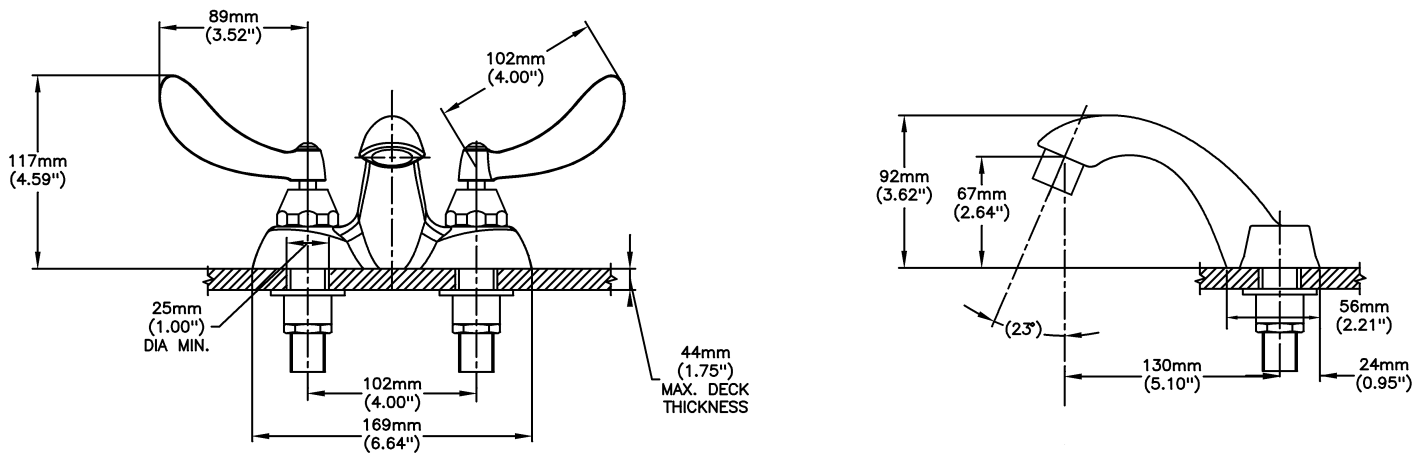
- Not Available

(Dimensional drawing on following page)

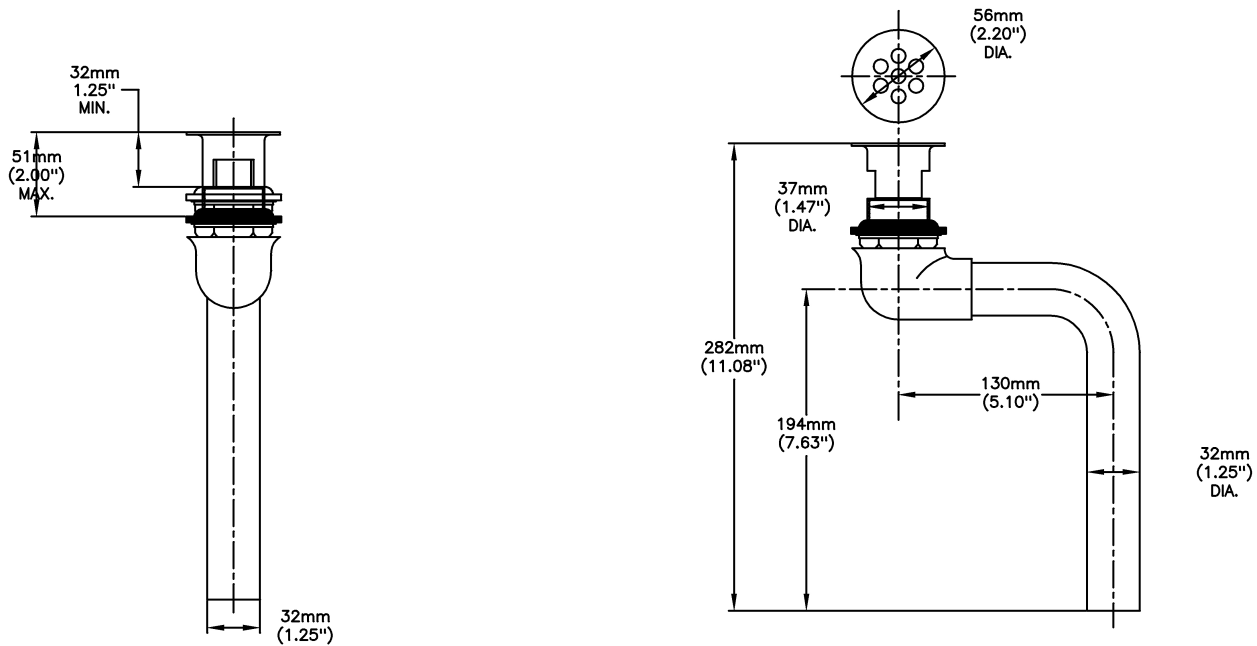
Delta reserves the right (1) to make changes to specifications and materials, and (2) to change or discontinue models, both without notice or obligation. Dimensions are for reference. Measurement may vary plus or minus 6mm(0.25"). Mounting locations are suggested only. Check with local codes for requirements in your area. This spec was produced May 03, 2021.

Delta Faucet Company - 55 East 111th St. - Indianapolis, Indiana, USA 46280 - (317) 848-1812
Delta Faucet Canada - 395 Matheson Blvd E - Mississauga, Ontario, Canada L4Z 2H2 - (905) 712-3030

Model No: 21C424



INLETS: 1/2" MIP/COUPLING NUTS (NUTS NOT SUPPLIED)



Delta reserves the right (1) to make changes to specifications and materials, and (2) to change or discontinue models, both without notice or obligation. Dimensions are for reference. Measurement may vary plus or minus 6mm(0.25"). Mounting locations are suggested only. Check with local codes for requirements in your area. This spec was produced May 03, 2021.