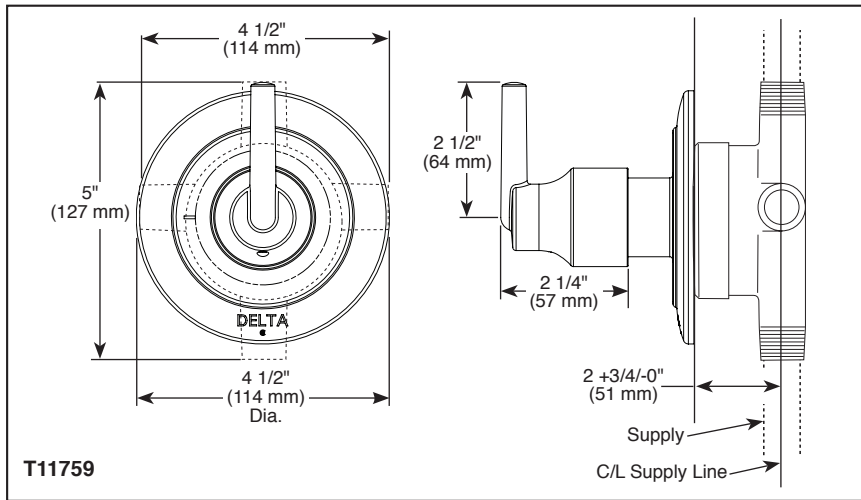


T11759

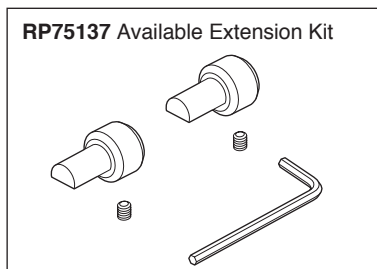


Submitted Model No.: _____

Specific Features: _____



T11759



RP75137 Available Extension Kit



CUSTOM SHOWER DIVERTER

- Trinsic® Collection
- Two Function Diverter Trim
- Coordinates With The Delta Trinsic® Styled Bath Suites


STANDARD SPECIFICATIONS

- 1/2" rough-in
- Must also order R1 1000 rough-in
- Two individual positions, no shared positions

WARRANTY

- Lifetime limited warranty on parts (other than electronic parts and batteries) and finishes; or, for commercial users, for 5 years from date of purchase.
- 5 year limited warranty on electronic parts (other than batteries); or, for commercial users, for 1 year from the date of purchase. No warranty is provided on batteries.

COMPLIES WITH:

- ASME A112.18.1 / CSA B125.1
-  Indicates compliance to ICC/ANSI A117.1

Delta reserves the right (1) to make changes in specifications and materials, and (2) to change or discontinue models, both without notice or obligation. Dimensions are for reference only. See current full-line price book or www.deltafaucet.com for finish options and product availability.

DSP-B-T11759 Rev. A



55 E. 111th Street, Indianapolis, Indiana 46280
 350 South Edgeware Road, St. Thomas, ON N5P 4L1
 © 2015 Masco Corporation of Indiana