



DELANEY®

CONTEMPORARY SQUARE POCKET DOOR LOCKS



New contemporary square pocket door locks are timeless and versatile in style with one-of-a-kind features for access and privacy

Available Finishes:

Entry



MATTE BLACK
(US19) Item # 370004



SATIN NICKEL
(US15) Item # 370009



POLISHED CHROME
(US26) Item # 370006

Privacy



MATTE BLACK
(US19) Item # 370104



SATIN NICKEL
(US15) Item # 370109



POLISHED CHROME
(US26) Item # 370106

Passage



MATTE BLACK
(US19) Item # 370204



SATIN NICKEL
(US15) Item # 370209



POLISHED CHROME
(US26) Item # 370206

Contact your local rep today or contact Delaney at;

1.800.952.4430, ext. 2 | orders@delaneyhardware.com | www.DelaneyHardware.com



DELANEY®

NEW CONTEMPORARY SQUARE POCKET LOCKS

Our rounded corner square design pocket lock collection includes one-of-a-kind features such as color-coded privacy function indicators and an entry version with usage of a key. The crisp, clean line appearance adds to the overall look of the door while being functional. Each square pocket lock includes an edge pull for easy access when door is completely recessed in the channel. Ideal for usage on pocket doors in interior halls, bathrooms and closet applications, it is available in the most popular finishes of matte black, satin nickel and chrome.



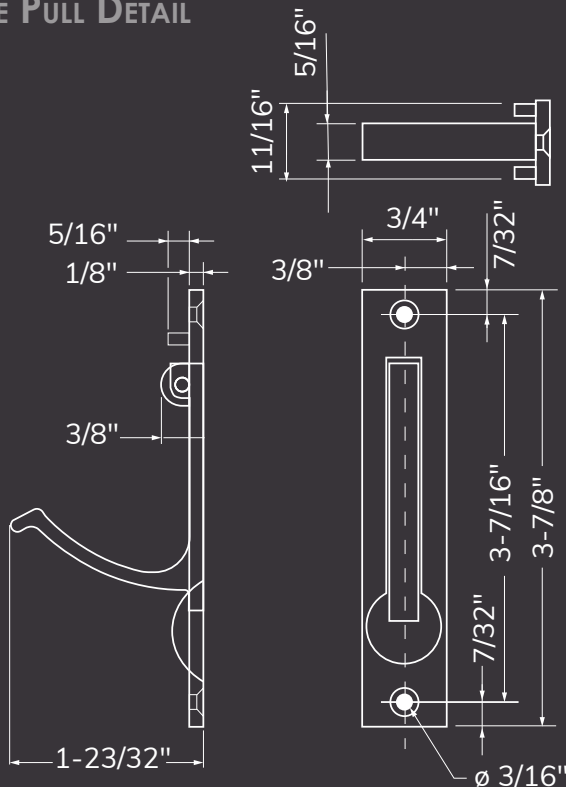
CONTEMPORARY SQUARE POCKET LOCK FEATURE:

- Simple, versatile design that compliments all interior styles
- Easy to Install - Fits doors prepped with 2-1/8" bore, 1" cross bore and 2 3/8" backset 1- 3/8" (35mm) to 1-3/4" (44.5mm) Door Thickness
- Includes edge pull for easy access when door is in completely recessed in the channel
- Entry function is lockable with 3 pin cylinder key (cannot be keyed to other entry locks) *
- Soft turn lock in privacy function with color-coded indicators*
- Latch has round corner faceplate for privacy and entry function
- Available finishes - matte black, satin nickel and chrome

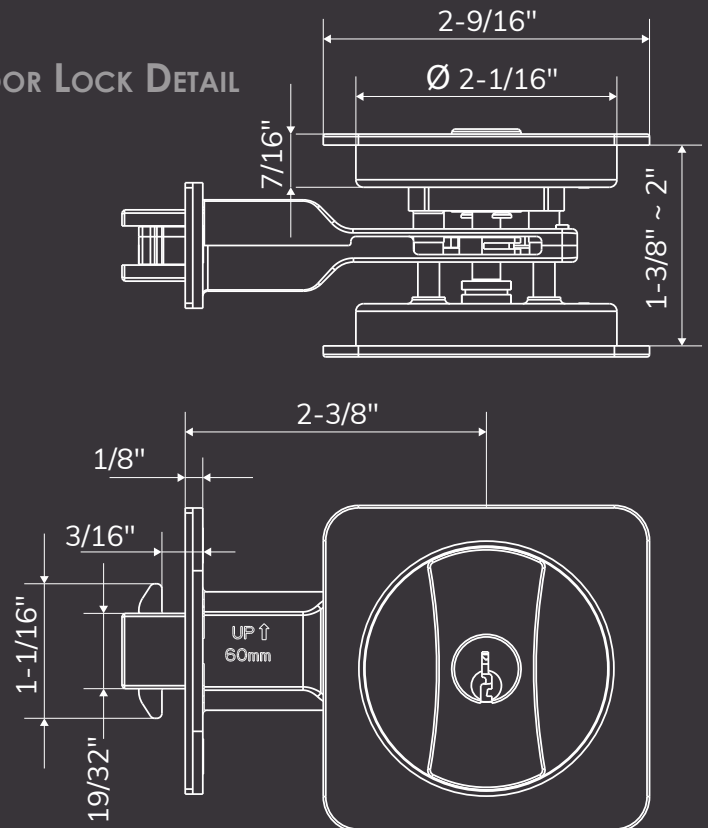
*Unique feature in the market

CONTEMPORARY SQUARE POCKET LOCK

EDGE PULL DETAIL



DOOR LOCK DETAIL



Contact your local rep today or contact Delaney at;

1.800.952.4430, ext. 2 | orders@delaneyhardware.com | www.DelaneyHardware.com