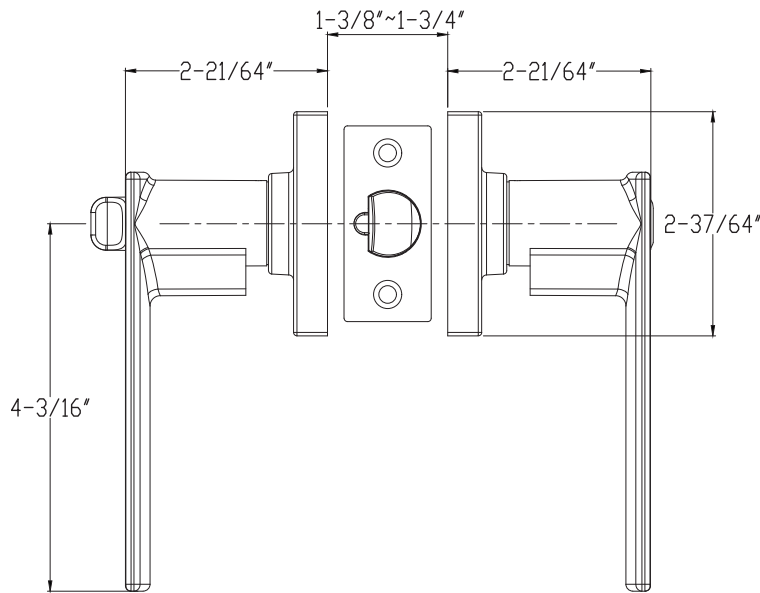


HK LEVER

GRADE 3



DIMENSIONS



STANDARD SPECIFICATIONS

Door Prep	Cross bore: 2-1/8" Edge bore: 1" Latch face: 1" x 2-1/4"	Latches	Passage/Privacy: 2-3/8" & 2-3/4" 6-way adjustable (9046R) Faceplate: 1" x 2-1/4" round corner Bolt: 1/2" throw
Backset	Fits 2-3/8" and 2-3/4"	Strikes	1-3/4" x 2-1/4" full lip round corner (9103)
Door Thickness	1-3/8" ~ 1-3/4" door standard	Wood Screws	Combination screws that suit both wood or metal door mounting
Door Handing	Non-Handed.	Product Features	

Model	Function	WT/LB	CTN QTY		US15 Satin Nickel	US26 Polished Chrome	US12P Tuscany Bronze
500-HK	Entrance	26 Lbs	10 Pcs	Item No.	D52501	D52506	D52507
501-HK	Passage	23 Lbs	10 Pcs	Item No.	D52511	D52516	D52517
502-HK	Privacy	24 Lbs	10 Pcs	Item No.	D52521	D52526	D52527
515-HK	Dummy	24 Lbs	20 Pcs	Item No.	D52551	D52556	D52557

FUNCTIONS

