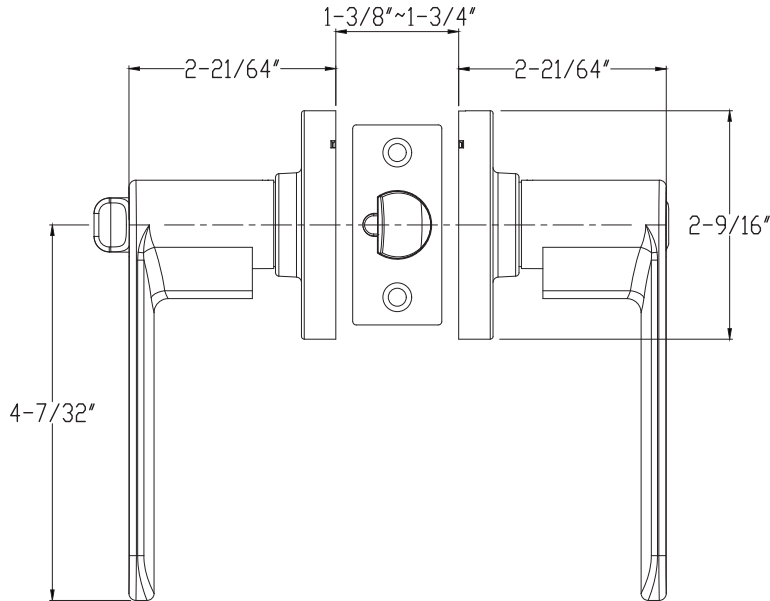


# VL LEVER

## GRADE 3



### DIMENSIONS



### STANDARD SPECIFICATIONS

<b>Door Prep</b>	Cross bore: 2-1/8" Edge bore: 1" Latch face: 1" x 2-1/4"	<b>Latches</b>	Passage/Privacy: 2-3/8" & 2-3/4" 6-way adjustable (9046R) Faceplate: 1" x 2-1/4" round corner Bolt: 1/2" throw
<b>Backset</b>	Fits 2-3/8" and 2-3/4"	<b>Strikes</b>	1-3/4" x 2-1/4" full lip round corner (9103)
<b>Door Thickness</b>	1-3/8" ~ 1-3/4" door standard	<b>Wood Screws</b>	Combination screws that suit both wood or metal door mounting
<b>Door Handing</b>	Non-Handed.	<b>Product Features</b>	

Model	Function	WT/LB	CTN QTY		US15 Satin Nickel	US26 Polished Chrome	US12P Tuscany Bronze
500-VL	Entrance	26 Lbs	10 Pcs	Item No.	D54501	D54506	D54507
501-VL	Passage	23 Lbs	10 Pcs	Item No.	D54511	D54516	D54517
502-VL	Privacy	24 Lbs	10 Pcs	Item No.	D54521	D54526	D54527
515-VL	Dummy	24 Lbs	20 Pcs	Item No.	D54551	D54556	D54557

### FUNCTIONS

