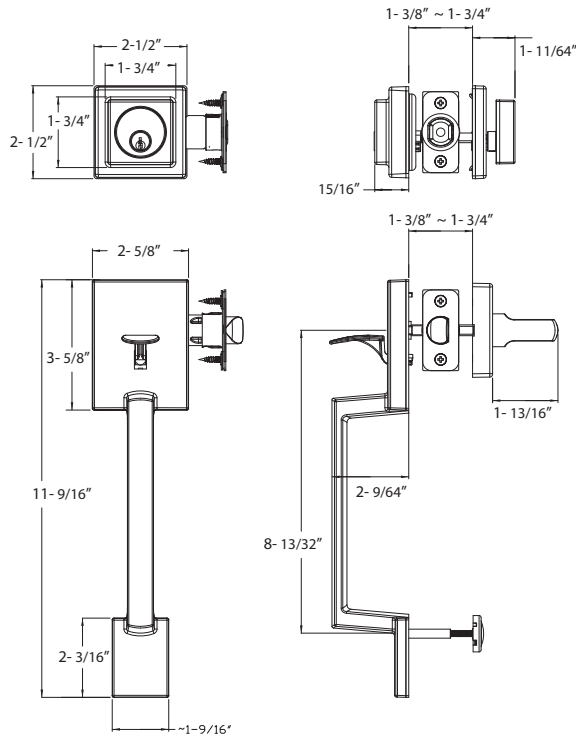


# AVINO



## DIMENSIONS



## STANDARD SPECIFICATIONS

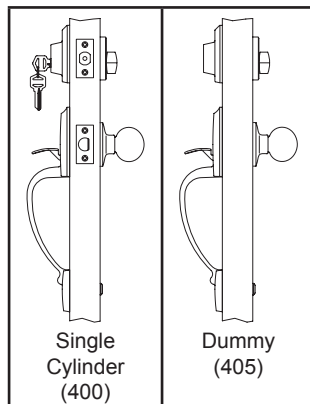


<b>Door Prep</b>	Deadbolt cross bore: 2-1/8" Handleset cross bore: 2-1/8" Edge bore: 1" Latch face: 1" x 2-1/4" Mounting bore distance (center to center): 5" - 5 1/2" recommended
<b>Backset</b>	Fits 2-3/8" and 2-3/4"
<b>Door Thickness</b>	1-3/8" ~ 1-3/4" door standard 2-1/4" Ext. Kits Available
<b>Cylinder</b>	KW1 5-pin standard, SC1 5-Pin Optional Handlesets packed KD
<b>Latches</b>	Upper: 2-3/8" and 2-3/4" adjustable (9092) Faceplate: 1" x 2-1/4" round corner Bolt: Solid Brass with hardened steel rod, full 1" throw  Lower: 2-3/8" and 2-3/4" adjustable (9080R) Faceplate: 1" x 2-1/4" round corner Bolt: Solid Brass 1/2" throw  KIRA/Vida Interior: 2-3/8" & 2-3/4" adj. (9046R) Faceplate: 1" x 2-1/4" round corner Bolt: Solid Brass 1/2" throw.
<b>Strikes</b>	Deadbolt: 2-1/4" full lip round corner (9117 & 9113) Thumbpiece: 2-1/4" full lip round corner (9103)
<b>Wood Screws</b>	Combination screws that suit both wood or metal door mounting
<b>Door Handing</b>	Kira & Vida reversible. Specify handing when ordering other levers as interior option

Model	Function	WT/CTN	CTN QTY		US15 Satin Nickel	US26 Polished Chrome	US12P Tuscany Bronze
400-AV	Single Cylinder	42 Lbs	10 Pcs	Item No.	D40201	D40206	D40207
405-AV	Dummy	35 Lbs	10 Pcs	Item No.	D45201	D45206	D45207

\*\*Avino Handleset also available with **KP300 PRIVEX Electronic Deadbolt**.

## FUNCTIONS



**DELANEY**

Copyright © THE DELANEY CO. All rights reserved.