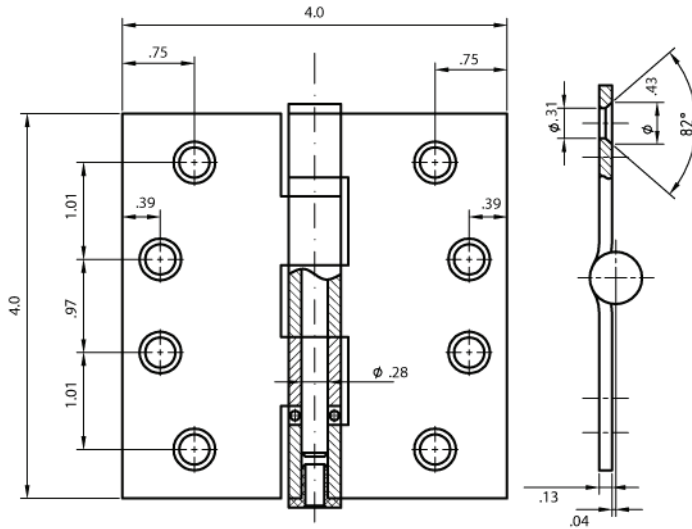


## BALL BEARING 4" X 4" COMMERCIAL HINGE

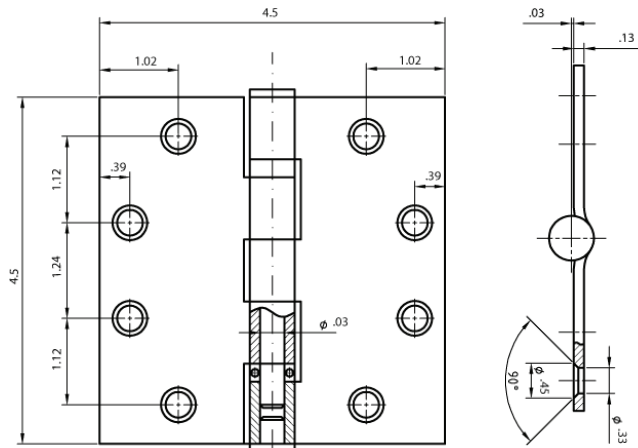


### SPECIFICATIONS

- #10 X 1/2" Machine screws (12-24NC) standard.
- #10 x 1 1/4" Wood screws standard.
- Gauge 0.13" Steel
- Box packed 1.5 pair (3 pcs) per box.  
15 Pair / CTN, 20 Lbs

Description	Radius		US26D	US10B
4" x 4" Ball Bearing Hinge	Sq.	Item No.	CH4016	CH4012
		List Price		
4" x 4" Ball Bearing Hinge NRP (Non-Removable Pin)	Sq.	Item No.	CN4016	CN4012
		List Price		

## BALL BEARING 4 1/2" X 4 1/2" COMMERCIAL HINGE



### SPECIFICATIONS

- #12 X 1/2" Machine screws (12-24NC) standard.
- #12 x 1 1/4" Wood screws standard.
- Gauge 0.134" Steel
- Box packed 1.5 pair (3 pcs) per box.  
15 Pair / CTN, 34 Lbs

Description	Radius		US26D	US10B	US32D Coming Soon
4 1/2" x 4 1/2" Ball Bearing Hinge	Sq.	Item No.	CH4516	CH4512	CH4510
		List Price			
4 1/2" x 4 1/2" Ball Bearing Hinge NRP (Non-Removable Pin)	Sq.	Item No.	CN4516	CN4512	CN4510
		List Price			



THE DELANEY CO.

Copyright © THE DELANEY CO. All rights reserved.