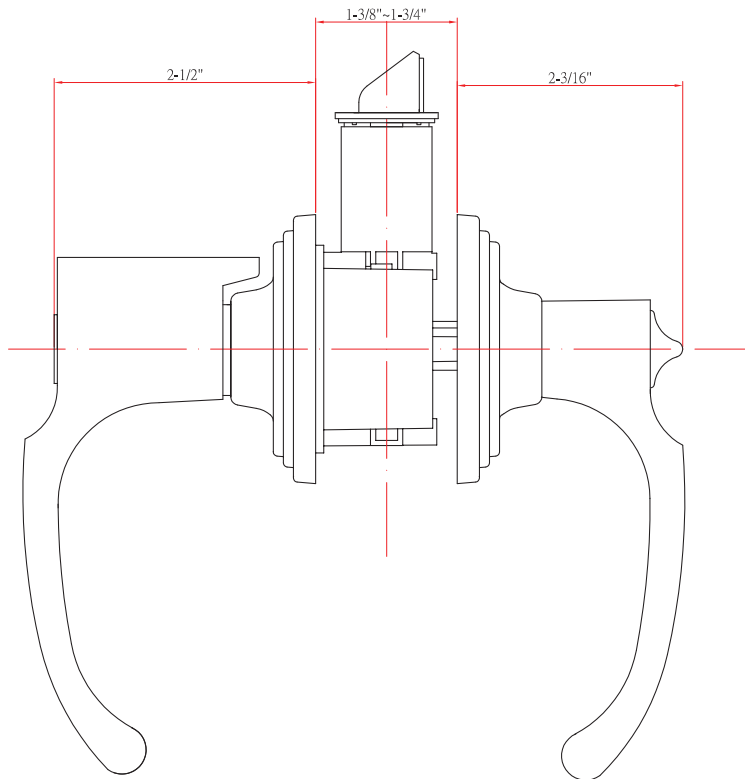


ARTINO™
ITALIAN COLLECTION (GR2)



DELANEY
Designer Series™

DIMENSIONS



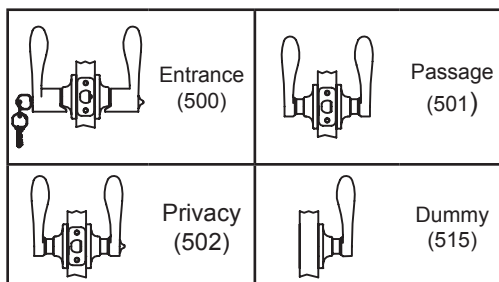
STANDARD SPECIFICATIONS

| | |
|-------------------------|--|
| Door Prep | Cross bore: 2-1/8" Edge bore: 1" Latch face: 1" x 2-1/4" |
| Backset | Fits 2-3/8" and 2-3/4" |
| Door Thickness | 1-3/8" ~ 1-3/4" door standard |
| Cylinder | SC1 5-pin standard; KW1 5-pin optional Entries packed KA5 |
| Latches | Entrance: 2-3/8" & 2-3/4" adjustable (C9060 R/S) Passage/Privacy: 2-3/8" & 2-3/4" adj. (C9064 R/S) Faceplate: 1" x 2-1/4" Rd. & Sq. corner Bolt: 1/2" throw |
| Strikes | 1-3/4" x 2-1/4" full lip Rd. & Sq. corner (9103 & 9102) |
| Wood Screws | Combination screws that suit both wood or metal door mounting |
| Door Handing | Reversible lever. |
| Grade 2 Features | <ul style="list-style-type: none"> • Protective collar • Interlocking installation guides • Reinforced spring assembly |

PRICING

| Model | Function | WT/CTN | CTN QTY | | US15 | US10BE | Black |
|------------|----------|--------|---------|------------|--------|--------|--------|
| 500T-AR-G2 | Entrance | 25 Lbs | 10 Pcs | Item No. | 360201 | 360207 | 360204 |
| | | | | List Price | | | |
| 501T-AR-G2 | Passage | 20 Lbs | 10 Pcs | Item No. | 364201 | 364207 | 364204 |
| | | | | List Price | | | |
| 502T-AR-G2 | Privacy | 21 Lbs | 10 Pcs | Item No. | 362201 | 362207 | 362204 |
| | | | | List Price | | | |
| 515-AR-G2 | Dummy | 17 Lbs | 20 Pcs | Item No. | 365201 | 365207 | 365204 |
| | | | | List Price | | | |

FUNCTIONS



THE DELANEY CO.

Copyright © THE DELANEY CO. All rights reserved.