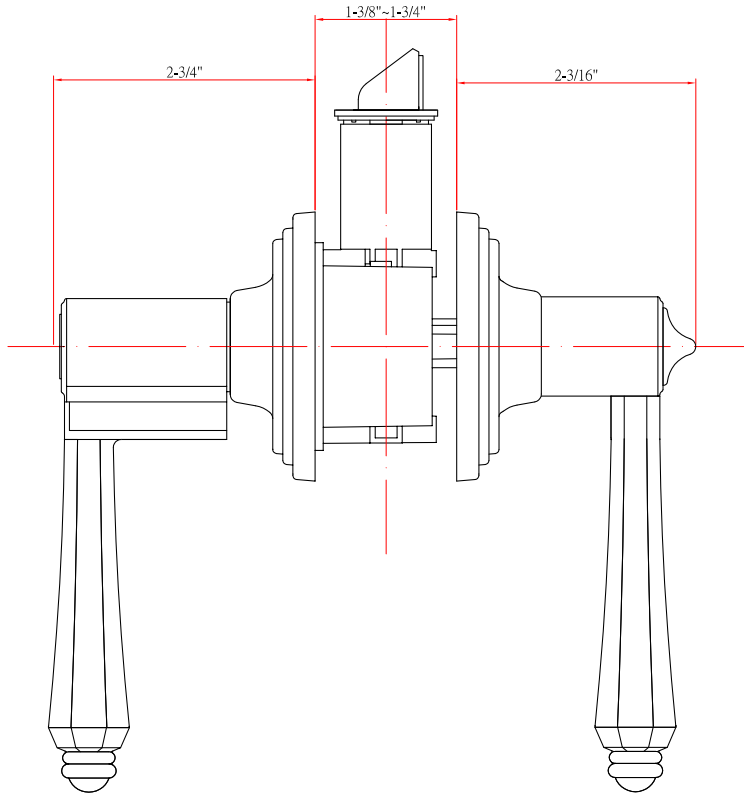


FLORINI™
ITALIAN COLLECTION



DELANEY
Designer Series™

DIMENSIONS



STANDARD SPECIFICATIONS

Door Prep	Cross bore: 2-1/8" Edge bore: 1" Latch face: 1" x 2-1/4"
Backset	Fits 2-3/8" and 2-3/4"
Door Thickness	1-3/8" ~ 1-3/4" door standard, 2-1/4" Ext. Kit Available
Cylinder	SC1 5-pin standard; KW1 5-pin optional Entries packed KA5
Latches	Entrance: 2-3/8" & 2-3/4" adjustable (C9060 R/S) Passage/Privacy: 2-3/8" & 2-3/4" adj. (C9064 R/S) Faceplate: 1" x 2-1/4" Rd. & Sq. corner Bolt: 1/2" throw
Strikes	1-3/4" x 2-1/4" full lip Rd. & Sq. corner (9103 & 9102)
Wood Screws	Combination screws that suit both wood or metal door mounting
Door Handing	Reversible lever.
Features	<ul style="list-style-type: none"> Protective collar Interlocking installation guides Reinforced spring assembly

PRICING

Model	Function	WT/ CTN	CTN QTY		US15 Satin Nickel	US10BE Edged Bronze	BL Black
500T-FL	Entrance	25 Lbs	10 Pcs	Item No.	360001	360007	360004
				List Price			
501T-FL	Passage	20 Lbs	10 Pcs	Item No.	364001	364007	364004
				List Price			
502T-FL	Privacy	21 Lbs	10 Pcs	Item No.	362001	362007	362004
				List Price			
515T-FL	Dummy	17 Lbs	20 Pcs	Item No.	365001	365007	365004
				List Price			

FUNCTIONS

Entrance (500)	Passage (501)
Privacy (502)	Dummy (515)

2-1/4" EXTENSION KITS

Item No:	Finish	List Price
377950	US15	\$1.89
377951	US10BE/Black	\$1.89



THE DELANEY CO.

Copyright © THE DELANEY CO. All rights reserved.

Effective 8/1/2011