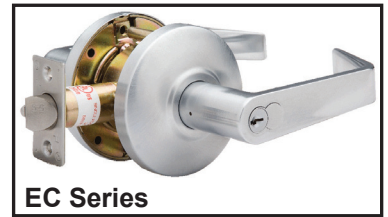
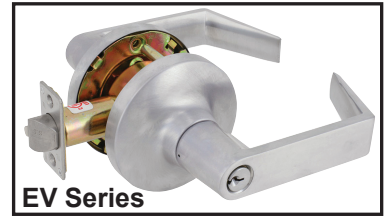
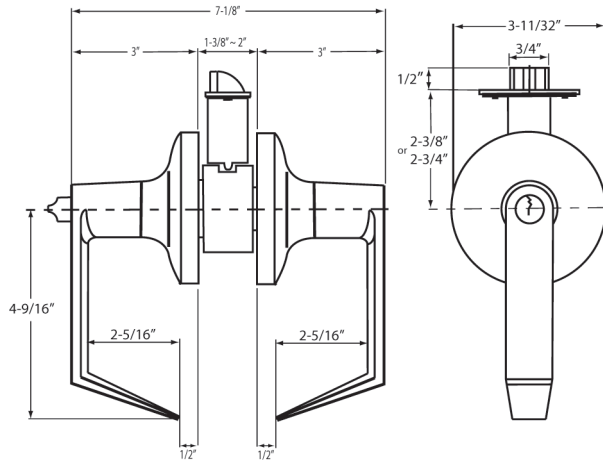


E SERIES - CHARLOTTE GRADE 2 CYLINDRICAL LEVER



DIMENSIONS



STANDARD SPECIFICATIONS

Door Prep	Cross bore: 2-1/8" Edge bore: 1" Latch face: 2-3/4": 1-1/8" x 2-1/4" 2-3/8": 1" x 2-1/4"	Latches	Entrance: 2-3/4" (E9070T) standard. 2-3/8" (E9060T) optional Pass/Priv: 2-3/4" (E9073T) standard. 2-3/8" (E9063T) optional Faceplate: 2-3/4": 1-1/8" x 2-1/4". 2-3/8": 1" x 2-1/4" Sq. Corner Bolt: 1/2" Stainless Steel throw. Meets 3-Hr. Fire Rating
Backset	2-3/4" UL Latch standard, 2-3/8" optional	Strikes	4-7/8" ANSI Strike standard (9109)
Door Thickness	1-3/8" ~ 2". Adjustable mounting plate	Door Handing	Not Required
Cylinder	SC4 6-pin standard, KW1 5-pin optional Entries packed KA2	Interchangeable Core	Optional small-format 6-pin or 7-pin available
ANSI & Federal Standards	<ul style="list-style-type: none"> Meets & exceeds requirements of BHMA/ANSI A156.2 Series 4000, GR2, 400,000 Cycles. Meets FF-H-106C Federal Standard. 	Product Features	<ul style="list-style-type: none"> Independent Torsion Spring Removable Through Bolts Concealed Mounting Screws Anti-Friction Latch Retractor Clutch Function Panic Proof

PRICING

Model	Function	WT/LB	CTN QTY	EV Series		EC Series - IC Core (Core not included)		
				US26D	US10B	US26D IC Core	US10B IC Core	
500-E	Entrance	29 Lbs	6 Pcs	Item No.	3V5002	3V5000	3V5102	3V5100
				List Price				
504-E	Storeroom	29 Lbs	6 Pcs	Item No.	3V5042	3V5040	3V5142	3V5140
				List Price				
509-E	Classroom	29 Lbs	6 Pcs	Item No.	3V5092	3V5090	3V5192	3V5190
				List Price				
508-E	Double Cylinder	30 Lbs	6 Pcs	Item No.	3V5082	3V5080	—	—
				List Price				
507-E	Exit Non-Key	20 Lbs	6 Pcs	Item No.	3V5072	3V5070	—	—
				List Price				
511-E	Exit w/ Key	20 Lbs	6 Pcs	Item No.	3V5112	3V5110	—	—
				List Price				
501-E	Passage	26 Lbs	6 Pcs	Item No.	3V5012	3V5010	—	—
				List Price				
502-E	Privacy	28 Lbs	6 Pcs	Item No.	3V5022	3V5020	—	—
				List Price				
515-E	Dummy	18 Lbs	12 Pcs	Item No.	3V5052	3V5050	—	—
				List Price				

Core not Included see page F-10.



FUNCTIONS

See Function Guide on Page F-14.

THE DELANEY CO.

Copyright © THE DELANEY CO. All rights reserved.