

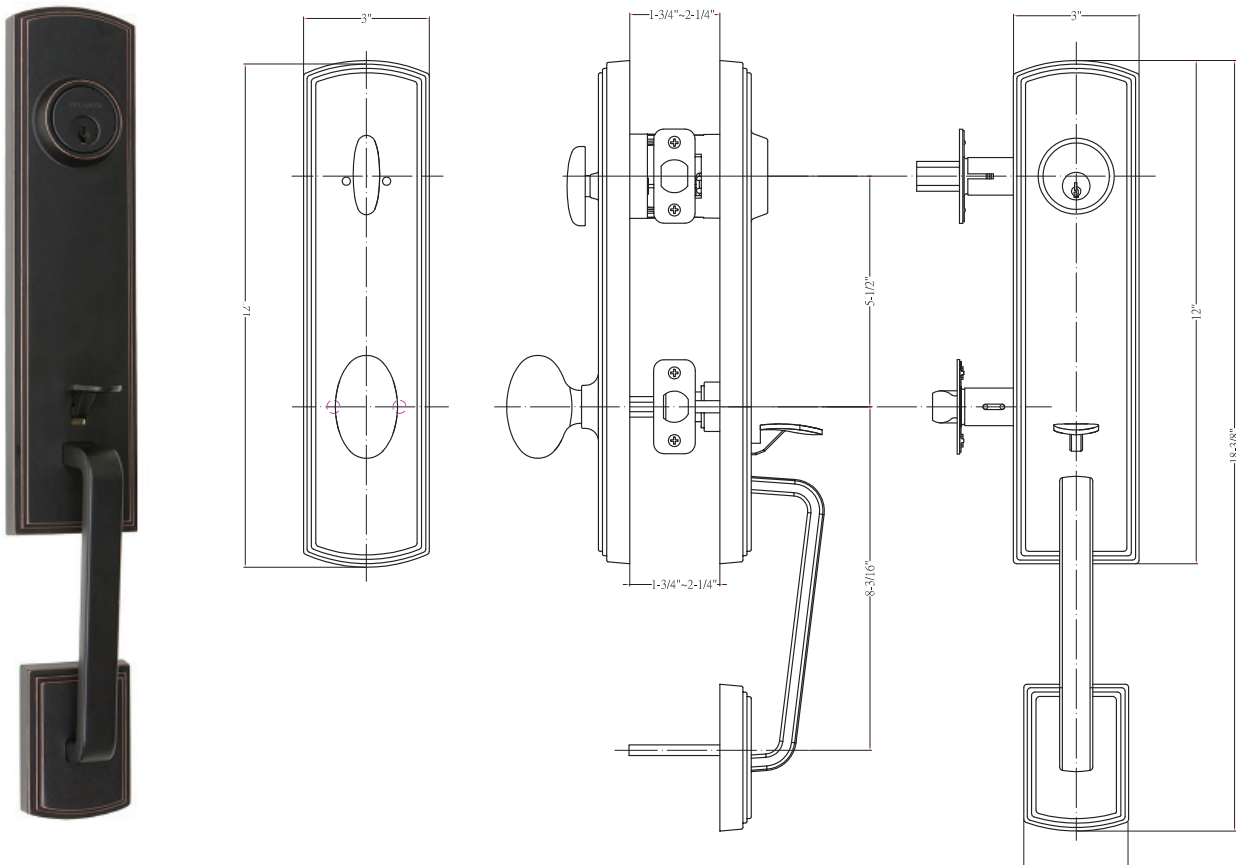
CALLAN®

Specifications

Door Prep	Deadbolt cross bore: 2-1/8" Handleset cross bore: 2-1/8" Edge bore: 1" Latch face: 1" x 2-1/4" Mounting (center to center): 5-1/2"	Latches	Deadbolt: 2-3/8" & 2-3/4" adjustable (C9092 R/S) Faceplate: 1" x 2-1/4" round corner Bolt: 1" throw with hardened steel rod Handle: 2-3/8" and 2-3/4" adjustable (C9074 R/S) Faceplate: 1" x 2-1/4" round corner
Strikes	Deadbolt: 2-1/4" Rd. & Sq. corner (9118 R&S) 1-1/8" X 2-3/4" Thumbpiece: 2-1/4" full lip Rd. & Sq. corner (9103 & 9102). Includes Reinforcement Strikes	Handing	Handing required for lever interiors
Door Thickness	1-3/4" ~ 2-1/4" door standard.	Cylinder	SC1 5-pin standard; KW1 5-pin optional. Handlesets packed KD
Door Handing	Reversible lever handing for dummy function and Interior		

BRIONA

Shown in Edged Oil Rubbed Bronze



BOX PACK

Handleset pricing includes interior knob or lever. Specify when ordering.

Model	Function	WT/ CTN	CTN QTY		US10BE Edged Bronze	US19 Black
400-BN	Single Cylinder	36 lb	4 Pcs	Item No.	374107	374104
				List Price	\$247	\$247
405-BN	Dummy	34 lb	4 Pcs	Item No.	374157	374154
				List Price	\$225	\$225