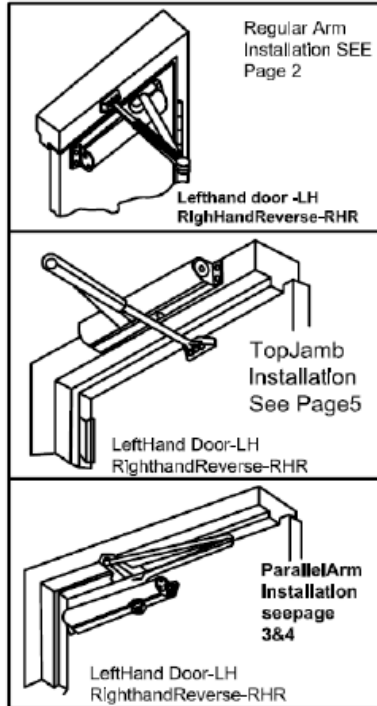


6000 SERIES DOOR CLOSER

Non hold Open Model
Adjustable
Size (1 thru 6)

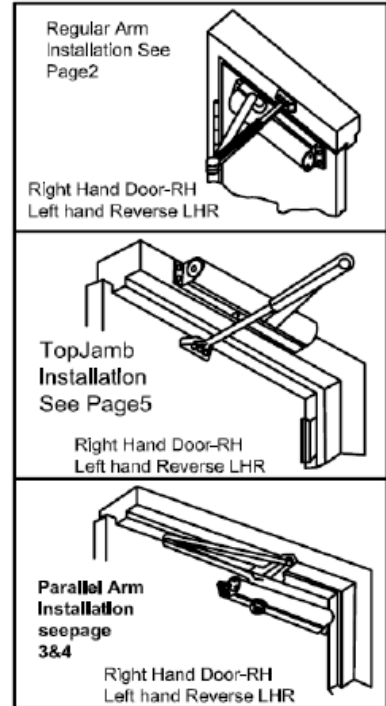
INSTALLATION INSTRUCTIONS Non Hold Open Door Closer



CAUTION

An incorrectly installed or improperly adjusted doorcloser can cause property damage or personal injury. These installation instructions should be followed to avoid the possibility of misapplication or misadjustment

CAUTION



NOTE: For special applications a separate door and frame preparation template is packed with these instructions. Use this instructions sheet for installation sequence and closer adjustable only.

- Doors should be hung on ball bearing or Anti-friction hinges.
- A separate door stop is recommended.
- Door and frame must be properly reinforced.
- Adjust closing time speed between 3 and 7 seconds from 90° to 0°. Greater closing Times may be required for elderly or handicapped.

- These door closers should NOT be installed on the exposed side (weather side) of exterior doors

