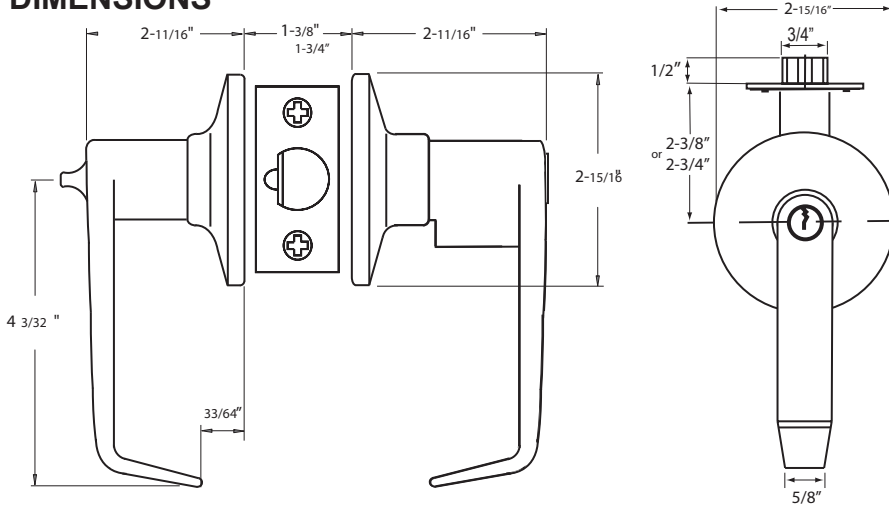


**RH SERIES - CHARLOTTE  
GRADE 2 TUBULAR LEVER**



**DIMENSIONS**



**STANDARD SPECIFICATIONS**



<b>Door Prep</b>	Cross bore: 2-1/8" Edge bore: 1" Latch face: 1" x 2-1/4"	<b>Latches</b>	Entrance: 2-3/8" & 2-3/4" adjustable (9060 UL) Passage/Privacy: 2-3/8" & 2-3/4" adjustable (9064) Faceplate: 1" x 2-1/4" round corner Bolt: 1/2" throw. Meets 3-Hr Fire Rating
<b>Backset</b>	Adjustable 2-3/8" and 2-3/4"	<b>Strikes</b>	1-1/8" x 2-3/4" T-strike (9101)
<b>Door Thickness</b>	1-3/8" ~ 2"	<b>Door Handing</b>	Not Required
<b>Cylinder</b>	SC4 6-pin standard. KW1 5-pin optional Entries packed KA2	<b>Product Features</b>	<ul style="list-style-type: none"> <li>• Concealed Mounting Screws</li> <li>• Protective Sleeve</li> <li>• Interlocking Screw Posts</li> <li>• Push Button Locking</li> <li>• Panic Proof</li> </ul>
<b>ANSI &amp; Federal Standards</b>	Meets requirements of BHMA/ANSI A156.2 Series 4000, GR2, 400,000 Cycles.		

**PRICING**

Model	Function	WT/LB	CTN QTY		US26D	US10B
500-RH	Entrance	29 Lbs	6 Pcs	Item No.	321322	321320
				List Price		
504-RH	Storeroom	29 Lbs	6 Pcs	Item No.	326322	326320
				List Price		
509-RH	Classroom	29 Lbs	6 Pcs	Item No.	329322	329320
				List Price		
501-RH	Passage	26 Lbs	6 Pcs	Item No.	324322	324320
				List Price		
502-RH	Privacy	26 Lbs	6 Pcs	Item No.	322322	322320
				List Price		
515-RH	Dummy	18 Lbs	12 Pcs	Item No.	325322	325320
				List Price		

**FUNCTIONS**

See Function Guide on Page F-14.



**THE DELANEY CO.**

Copyright © THE DELANEY CO. All rights reserved.