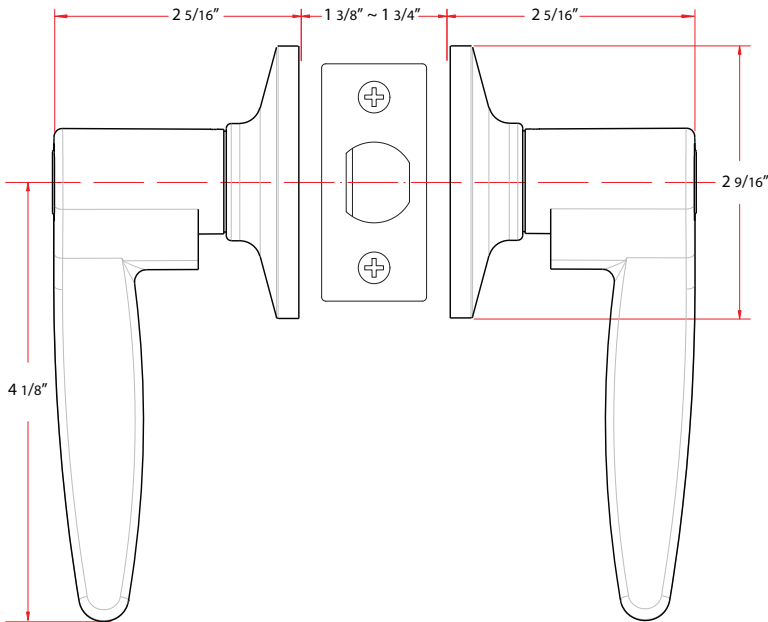


DAYTON™



DIMENSIONS



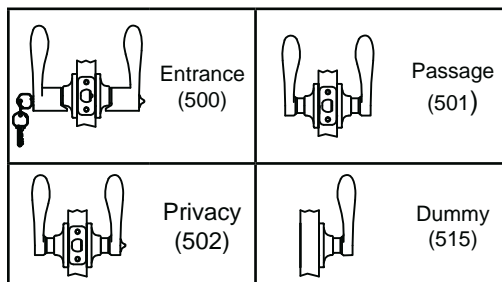
STANDARD SPECIFICATIONS

Door Prep	Cross bore: 2-1/8" Edge bore: 1" Latch face: 1" x 2-1/4"
Backset	Fits 2-3/8" and 2-3/4"
Door Thickness	1-3/8" ~ 1-3/4" door standard
Cylinder	KW1 5-pin standard (Solid Brass) SC1 5-Pin optional. Entries packed KA5
Latches	Entrance: 2-3/8" & 2-3/4" adjustable (9045R) Passage/Privacy: 2-3/8" & 2-3/4" adj. (9074) Faceplate: 1" x 2-1/4" round corner Bolt: 1/2" throw
Strikes	1-3/4" x 2-1/4" full lip round corner (9103)
Wood Screws	Combination screws that suit both wood or metal door mounting
Door Handing	Reversible. Handing required for Dummy function only

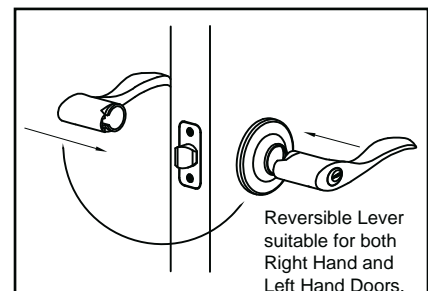
PRICING

Model	Function	WT/ CTN	CTN QTY	US15 Satin Nickel			US26 Polished Chrome			US12P Tuscany Bronze		
				Item No.	List Price		Item No.	List Price		Item No.	List Price	
500T - DT	Entrance	26 Lbs	20 Pcs	Item No.	D20720		Item No.	D20726		Item No.	D20727	
				List Price			List Price		List Price		List Price	
501T - DT	Passage	23 Lbs	20 Pcs	Item No.	D24720		Item No.	D24726		Item No.	D24727	
				List Price			List Price		List Price		List Price	
502T - DT	Privacy	24 Lbs	20 Pcs	Item No.	D22720		Item No.	D22726		Item No.	D22727	
				List Price			List Price		List Price		List Price	
515 - DT	Dummy	15 Lbs	20 Pcs	Item No.	D25720		Item No.	D25726		Item No.	D25727	
				List Price			List Price		List Price		List Price	

FUNCTIONS



HANDING GUIDE



THE DELANEY CO.

Copyright © THE DELANEY CO. All rights reserved.