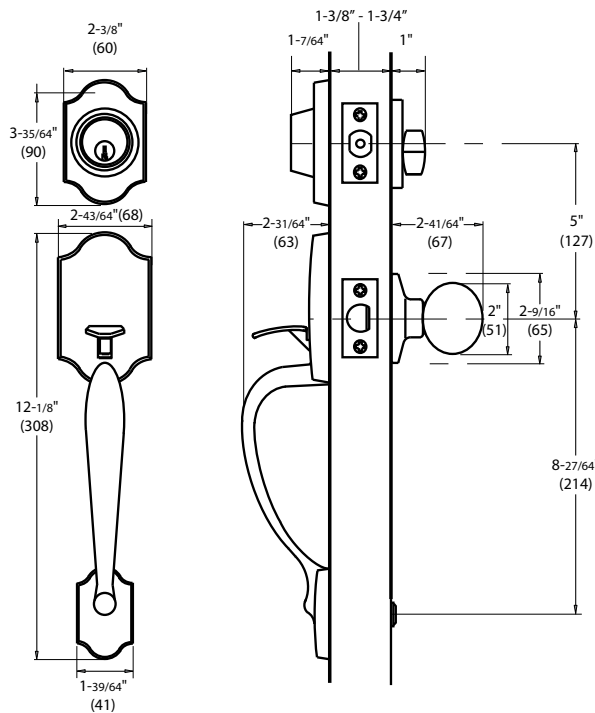


IMPERIAL HANDLESET



DIMENSIONS



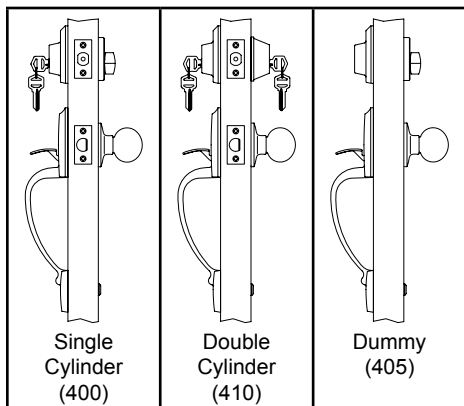
STANDARD SPECIFICATIONS

Door Prep	Deadbolt cross bore: 2-1/8" Handleset cross bore: 2-1/8" Edge bore: 1" Latch face: 1" x 2-1/4" Mounting (center to center): 5-1/2" recommended
Backset	Fits 2-3/8" and 2-3/4"
Door Thickness	1-3/8" ~ 1-3/4" door standard 2-1/4" Ext. Kit available
Cylinder	KW1 5-pin standard SC1 5-Pin optional. Handlesets packed KD
Latches	Upper: 2-3/8" and 2-3/4" adjustable (9092) Faceplate: 1" x 2-1/4" round corner Bolt: Solid Brass with hardened steel rod, full 1" throw Lower: 2-3/8" and 2-3/4" adjustable (9080R) (for lever and knob) Faceplate: 1" x 2-1/4" round corner Bolt: Solid brass 1/2" throw Brass Lever 2-3/8" and 2-3/4" adjustable (9079R) Interior: Faceplate: 1" x 2-1/4" round corner Bolt: Solid brass 1/2" throw.
Strikes	Deadbolt: 2-1/4" full lip round corner (9117 & 9113) Thumbpiece: 2-1/4" full lip round corner (9103)
Wood Screws	Combination screws that suit both wood or metal door mounting
Door Handing	Specify handing when ordering lever as interior option

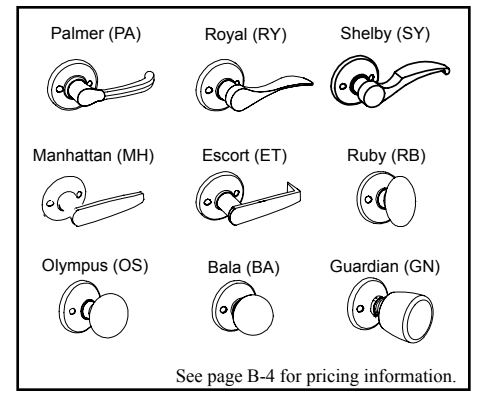
PRICING *Handleset Pricing includes Interior Knob or Lever. Specify when ordering.

Model	Function	WT/CTN	CTN QTY	LIFETIME	US15	US3	US15A	US10B	US12P	
400-IM	Single Cylinder	33 Lbs	10 Pcs	Item No.	2IM703	240900	240903	240908	240909	240917
				List Price						
405-IM	Dummy	30 Lbs	10 Pcs	Item No.	2IM704	240901	240904	240918	240911	240957
				List Price						
410-IM	Double Cylinder	35 Lbs	10 Pcs	Item No.	2IM705	241900	240918	241908	241909	241917
				List Price						

FUNCTIONS



INTERIOR OPTIONS



THE DELANEY CO.

Copyright © THE DELANEY CO. All rights reserved.