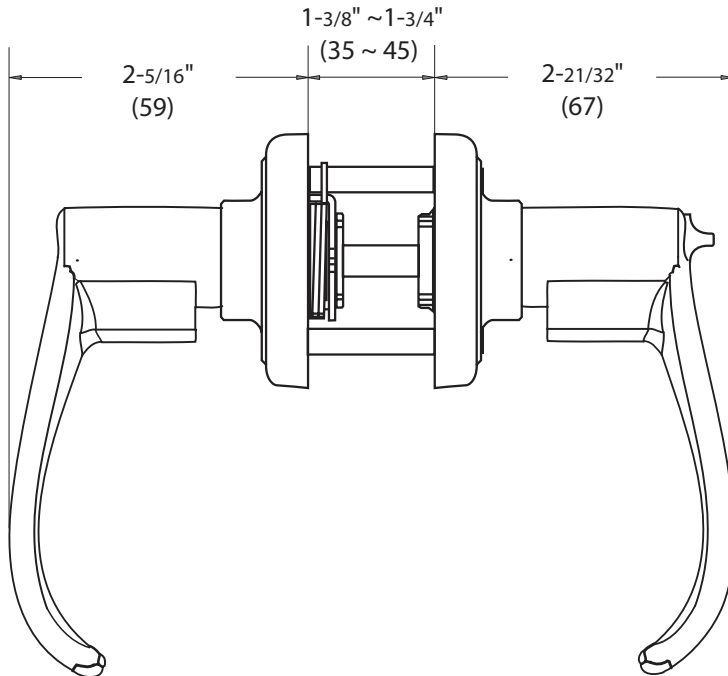


PALMER LEVER LOCKSET



DIMENSIONS



STANDARD SPECIFICATIONS

Door Prep	Cross bore: 2-1/8" Edge bore: 1" Latch face: 1" x 2-1/4"
Backset	Fits 2-3/8" and 2-3/4"
Door Thickness	1-3/8" ~ 1-3/4" door standard
Cylinder	KW1 5-pin standard (Solid Brass) SC1 5-Pin optional. Entries packed KA5
Latches	Entrance: 2-3/8" & 2-3/4" adjustable (9045R) Passage/Privacy: 2-3/8" & 2-3/4" adj. (9074) Faceplate: 1" x 2-1/4" round corner Bolt: 1/2" throw
Strikes	1-3/4" x 2-1/4" full lip round corner (9103)
Wood Screws	Combination screws that suit both wood or metal door mounting
Door Handing	Reversible

PRICING

Model	Function	WT/CTN	CTN QTY		US15	US3	US15A	US10B	US12P
500T - PA	Entrance	26 Lbs	20 Pcs	Item No.	220420	220423	220428	220429	220427
				List Price					
501T - PA	Passage	23 Lbs	20 Pcs	Item No.	224420	224423	224428	224429	224427
				List Price					
502T - PA	Privacy	24 Lbs	20 Pcs	Item No.	222420	222423	222428	222429	222427
				List Price					
515 - PA	Dummy	15 Lbs	20 Pcs	Item No.	225420	225423	225428	225429	225427
				List Price					

FUNCTIONS

Entrance (500)	Passage (501)
Privacy (502)	Dummy (515)



THE DELANEY CO.

Copyright © THE DELANEY CO. All rights reserved.