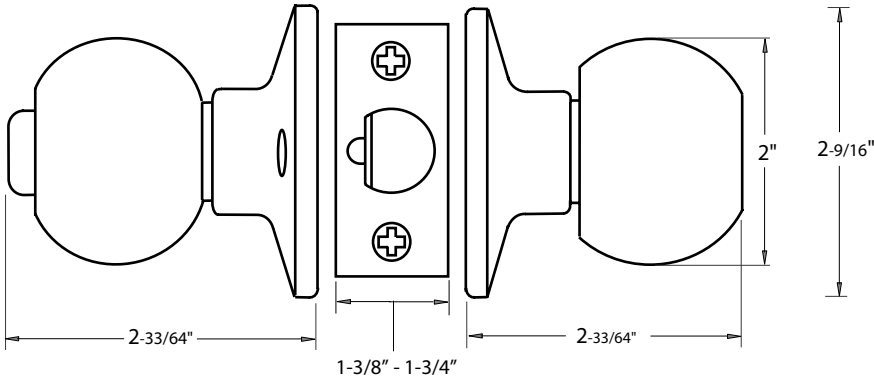


BALA KNOB LOCKSET



DIMENSIONS



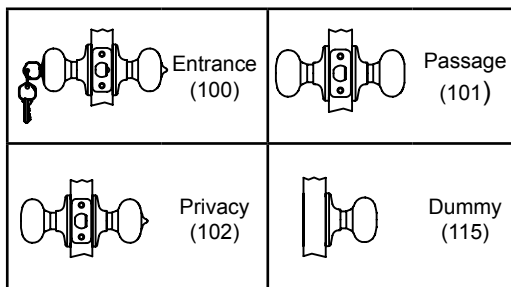
STANDARD SPECIFICATIONS

Door Prep	Cross bore: 2-1/8" Edge bore: 1" Latch face: 1" x 2-1/4"	Latches	Entrance: 2-3/8" & 2-3/4" adjustable (9073) Passage/Privacy: 2-3/8" & 2-3/4" adjustable (9074) Faceplate: 1" x 2-1/4" round corner Bolt: 1/2" throw
Backset	Fits 2-3/8" and 2-3/4"	Strikes	1-3/4" x 2-1/4" full lip round corner (9103)
Door Thickness	1-3/8" ~ 1-3/4" door standard	Wood Screws	Combination screws that suit both wood or metal door mounting
Cylinder	KW1 5-pin standard (Solid Brass) SC1 5-Pin optional. Entries packed KA5	Door Handing	Not Required

PRICING

Model	Function	WT/ LB	CTN QTY	Lifetime	US32D	US3	US5	US15A	US10B	US12P	
100T - BA	Entrance	27 Lbs	20 Pcs	Item No.	2BA313	211322	211323	211325	211328	211329	211327
				List Price							
101T - BA	Passage	22 Lbs	20 Pcs	Item No.	—	214322	214323	214325	214328	214329	214327
				List Price							
102T - BA	Privacy	22 Lbs	20 Pcs	Item No.	—	212322	212323	212325	212328	212329	212327
				List Price							
115 - BA	Dummy	9 Lbs	20 Pcs	Item No.	—	215322	215323	215325	215328	215329	215327
				List Price							

FUNCTIONS



THE DELANEY CO.

Copyright © THE DELANEY CO. All rights reserved.