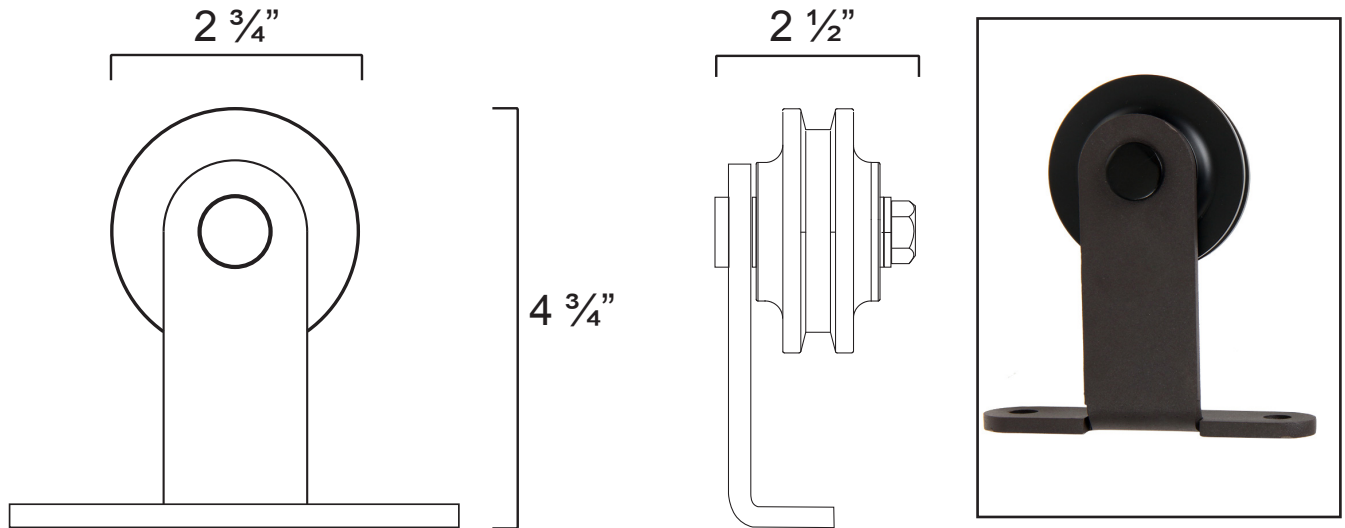


**BARN DOOR HARDWARE  
3000 SERIES**



Description	Finish	Item No.	List Price	CTN QTY	WT/CTN
3000 Series 6 FT Barn Door Hardware (Low Profile Top Mount)	Black	BD3064		1	15 Lbs
3000 Series 6 FT Barn Door Hardware (Low Profile Top Mount)	Bronze	BD3069		1	15 Lbs
3000 Series 6 FT Barn Door Hardware (Low Profile Top Mount)	Brushed Steel	BD3061		1	15 Lbs
3000 Series 8 FT Barn Door Hardware (Low Profile Top Mount)	Black	BD3084		1	15 Lbs
3000 Series 8 FT Barn Door Hardware (Low Profile Top Mount)	Bronze	BD3089		1	15 Lbs
3000 Series 8 FT Barn Door Hardware (Low Profile Top Mount)	Brushed Steel	BD3081		1	15 Lbs

Additional track lengths and finishes available. See page D-7.

**Series Includes:**

- 2 Hangers w/ Quiet Bearing Wheels
- Track (Pre-drilled)
- Standoffs & Lag Bolts
- 2 Door Stops
- 1 Door L Guide
- Anti-Jump Disc
- Bolts, Nuts, & Washers

**Weight Limit:**  
250 Lbs per set



**THE DELANEY CO.**

Copyright © THE DELANEY CO. All rights reserved.