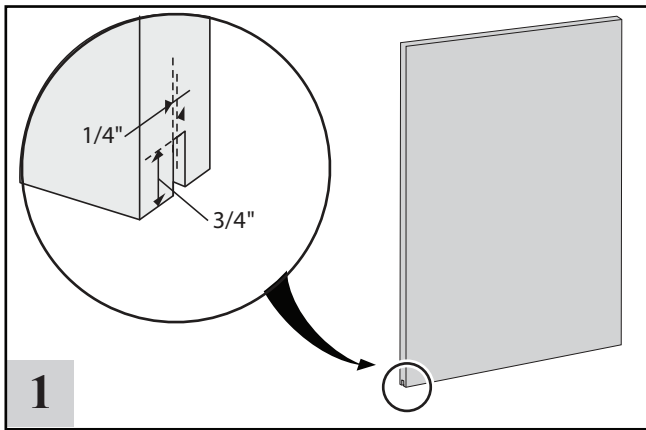
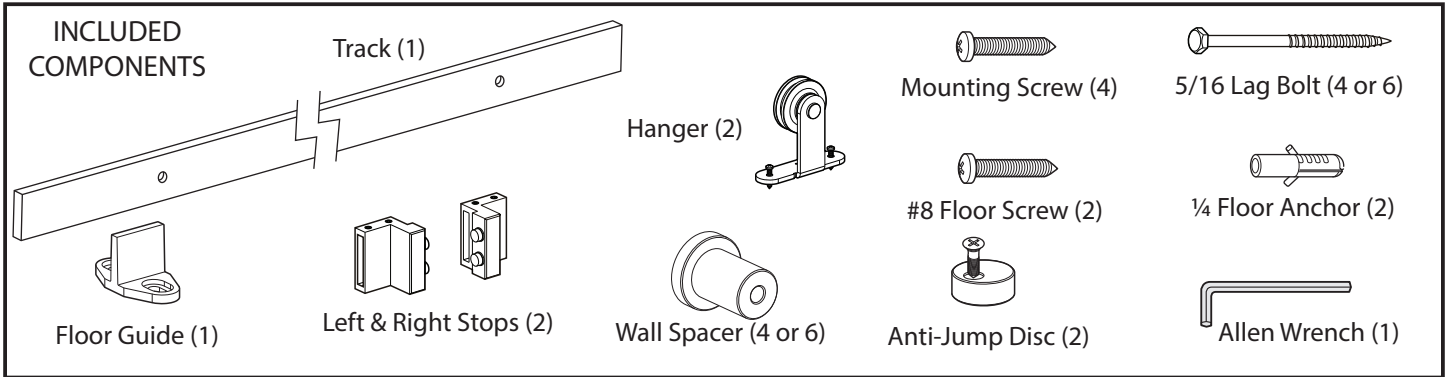
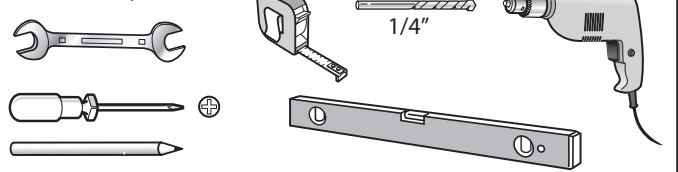


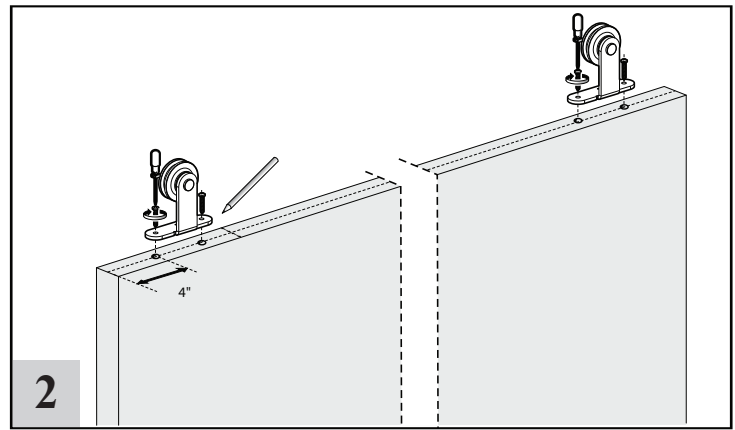
BARN DOOR HARDWARE KIT 3000 SERIES ASSEMBLY INSTRUCTIONS

TOOLS REQUIRED



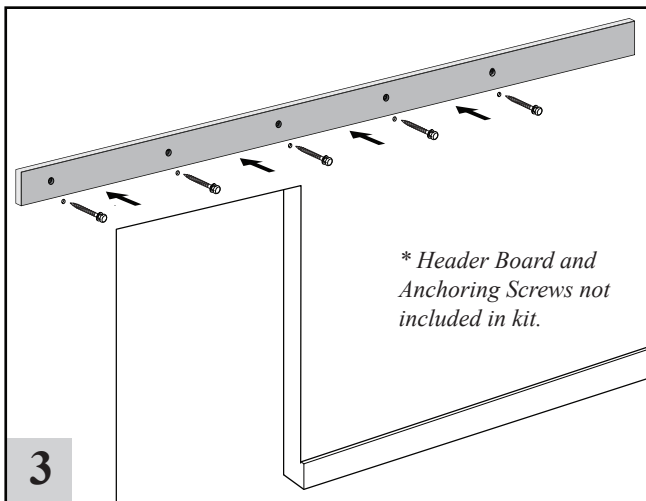
1 PREPARE THE DOOR

If using the Floor Guide, mortise a groove 1/4" wide by 3/4" deep into the bottom center of door's edge.



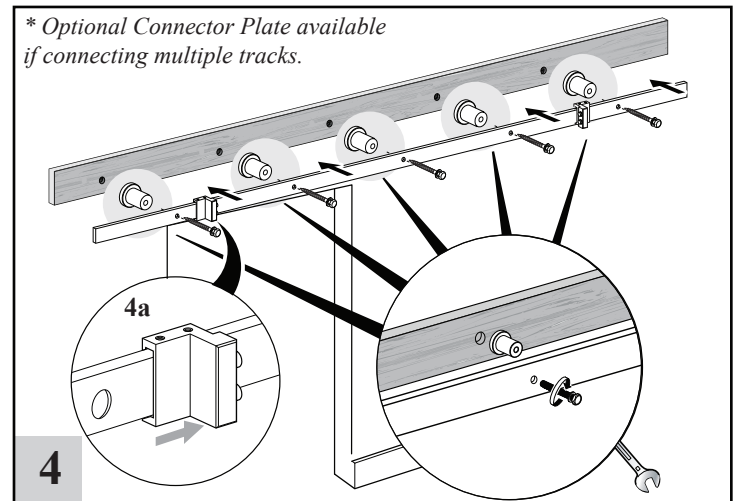
2 INSTALL HANGERS

Position hangers on top of door, measuring 4" to center of outside hole. Secure hangers using screwdriver.



3 INSTALL HEADER BOARD

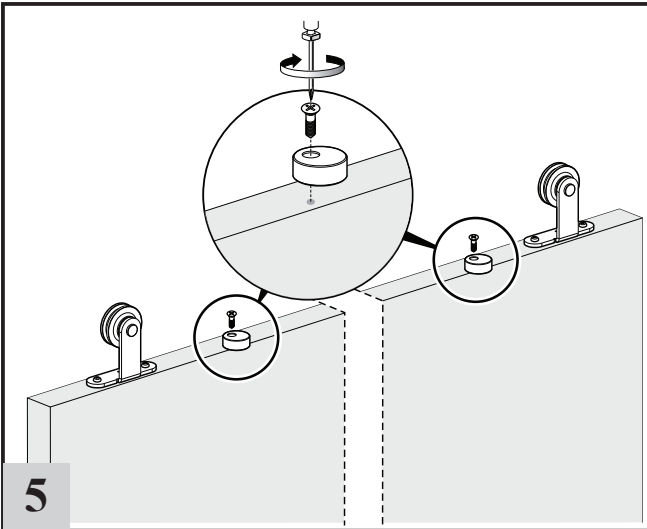
Do NOT install track directly onto drywall. Install a 1" x 4" or 1" x 6" Header Board above the door opening directly into studs. Header board must be solid wood and measure at least the full length of the track or longer.



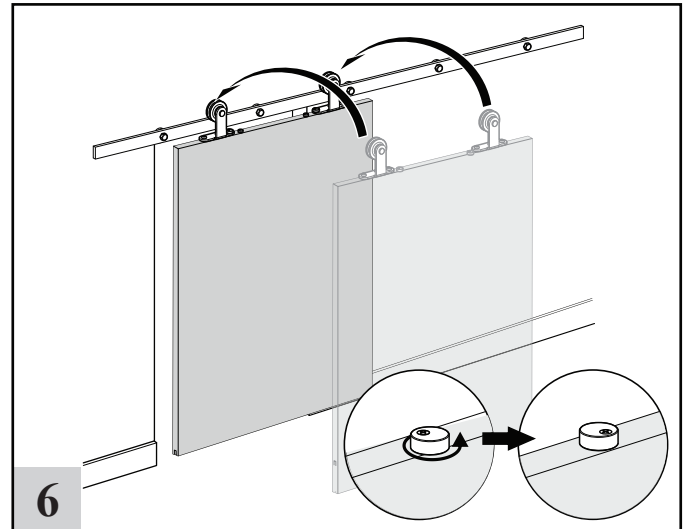
4 INSTALL STOPS & TRACK

** Optional Connector Plate available if connecting multiple tracks.*
4a. Insert Stops on either side of track, inside the first & last hole.
4b. Position center of the track by measuring up from the floor (door height + 1 3/4"). Align Spacers with holes in track. Use Lag Bolts to install track into wood header & wall. Use wrench to secure screws through spacers.

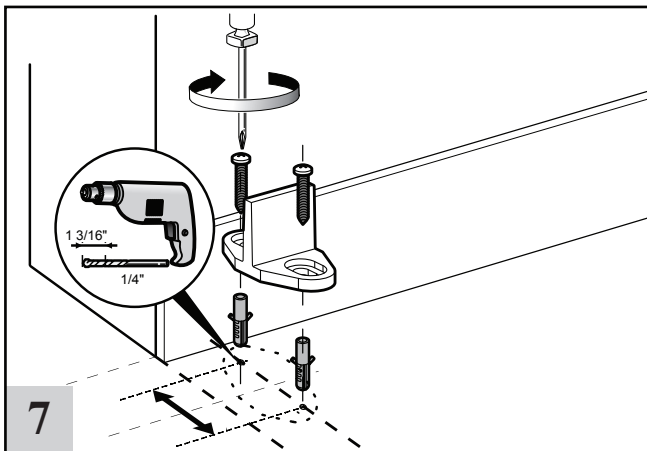
BARN DOOR HARDWARE KIT
3000 SERIES ASSEMBLY INSTRUCTIONS



5
INSTALLING THE ANTI-JUMP DISCS
Position each anti-jump disc at least 1" from the edge of the hangers. Tighten slightly to secure in place.



6
HANG THE DOOR
Place assembled door on secured track. Tighten the anti-jump discs. Slide door from open to close to ensure all parts are operating smoothly. Secure stops in desired positions with allen wrench.



7
INSTALLING FLOOR DOOR GUIDE (Optional)
Once the door is plumb, place the floor door guide inside the groove and line up close to the door opening. Slide the door from open to close to insure working order. Mark holes with a pencil. Pre-drill 1/4" holes. If mounting into a concrete floor, use provided anchors.



COMPLETED DOOR WITH BARN DOOR KIT

**Note that these instructions are for use with Delaney Hardware 3000 Series Barn Door Kits.