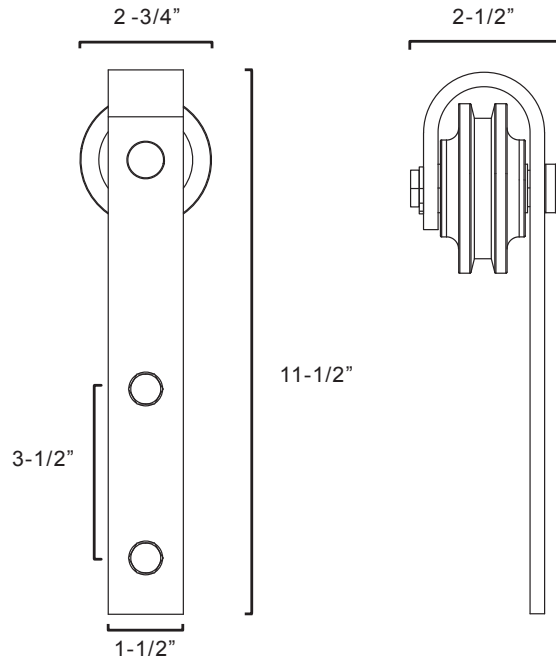


**BARN DOOR HARDWARE
1000 SERIES**



Description	Finish	Item No.	List Price	CTN QTY	WT/CTN
1000 Series 6 FT Barn Door Hardware (Standard)	Black	BD1064		1	16 Lbs
1000 Series 6 FT Barn Door Hardware (Standard)	Bronze	BD1069		1	16 Lbs
1000 Series 6 FT Barn Door Hardware (Standard)	Brushed Steel	BD1061		1	16 Lbs
1000 Series 8 FT Barn Door Hardware (Standard)	Black	BD1084		1	18 Lbs
1000 Series 8 FT Barn Door Hardware (Standard)	Bronze	BD1089		1	18 Lbs
1000 Series 8 FT Barn Door Hardware (Standard)	Brushed Steel	BD1081		1	18 Lbs

Additional track lengths available. See page D-7.

Series Includes:

- 2 Hangers w/ Quiet Bearing Wheels
- Track (Pre-drilled)
- Standoffs & Lag Bolts
- 2 Door Stops
- 1 Door L Guide
- Anti-Jump Disc
- Bolts, Nuts, & Washers

Weight Limit:

330 Lbs per set



THE DELANEY CO.

Copyright © THE DELANEY CO. All rights reserved.