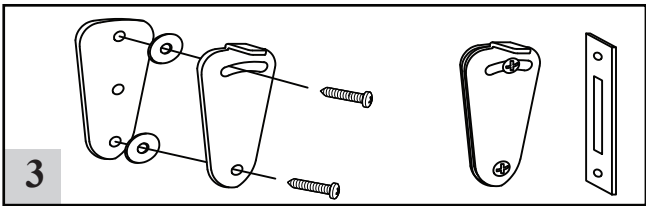
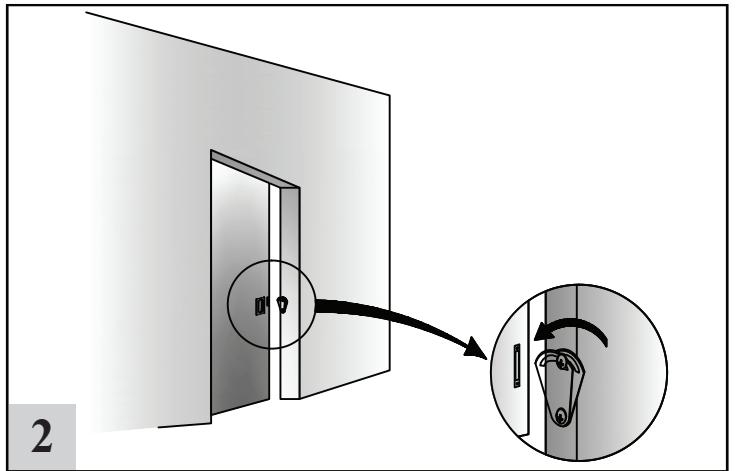
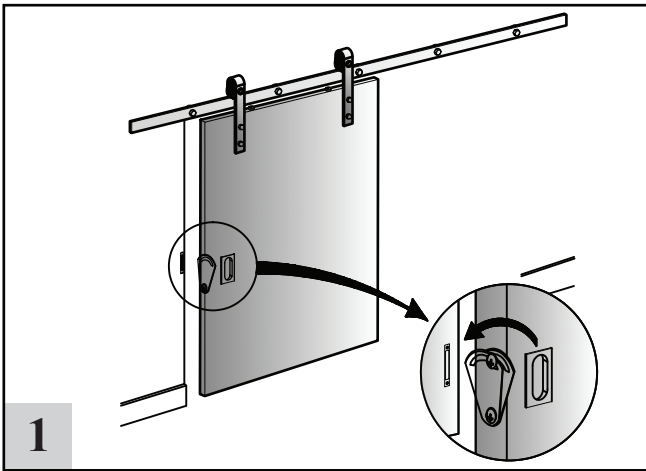




**BARN DOOR DROP PRIVACY LOCK  
ASSEMBLY INSTRUCTIONS**

INCLUDED COMPONENTS	Front Plate (1)	TOOLS REQUIRED
	Back Plate (1)	
Screw (2)	Washer (2)	

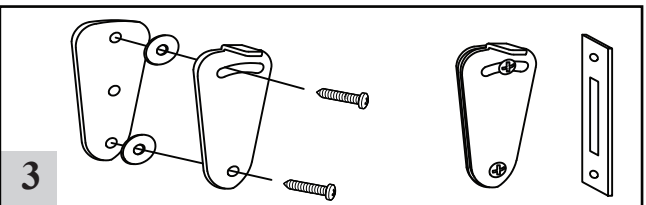
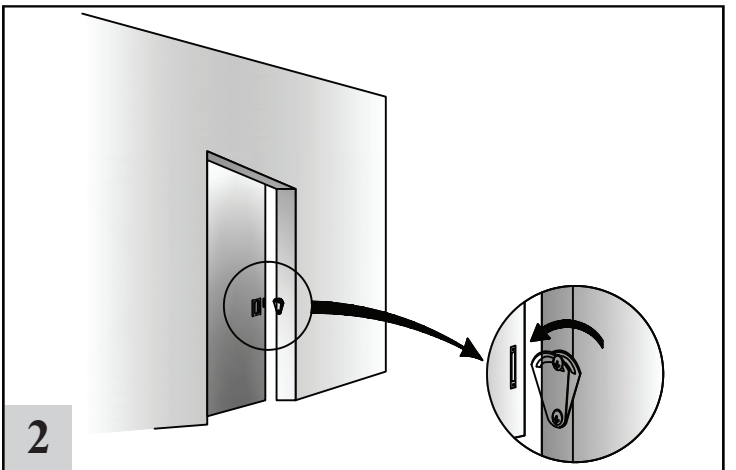
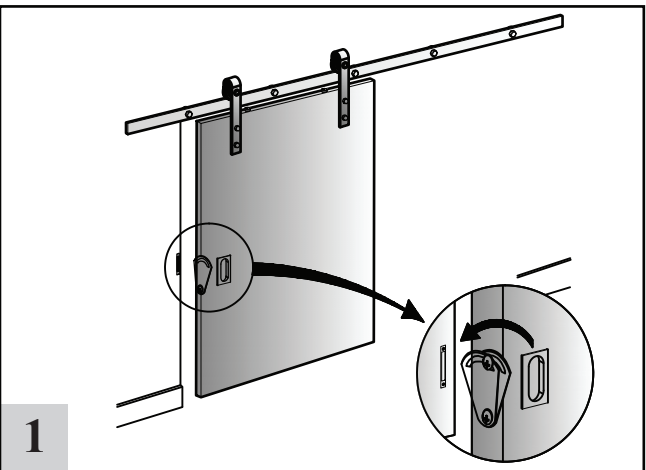


**INSTALLING TEAR DROP PRIVACY LOCK**  
Lock can be installed onto either the door as show in Step 1 or onto the door jamb as show in Step 2. For both applications, attach the tear drop plates with washers & screws as shown in Step 3. Allign Keeper to receive top tear drop plate.



**BARN DOOR DROP PRIVACY LOCK  
ASSEMBLY INSTRUCTIONS**

INCLUDED COMPONENTS	Front Plate (1)	TOOLS REQUIRED
	Back Plate (1)	
Screw (2)	Washer (2)	



**INSTALLING TEAR DROP PRIVACY LOCK**  
Lock can be installed onto either the door as show in Step 1 or onto the door jamb as show in Step 2. For both applications, attach the tear drop plates with washers & screws as shown in Step 3. Allign Keeper to receive top tear drop plate.