

DES

PROFESSIONAL GRILL

36 & 48" BH1 models

LE GRIL PROFESSIONNEL

Modèles 36 et 48" BH1

INSTALLATION GUIDE / USER GUIDE
GUIDE D'INSTALLATION / GUIDE D'UTILISATION
US CA

WARNING!

If the information in this manual is not followed exactly, a fire or explosion may result causing property damage, personal injury or death.

Do not store or use gasoline or other flammable vapors and liquids in the vicinity of this or any other appliance.

WHAT TO DO IF YOU SMELL GAS

- Do not try to light any appliance.
- Do not touch any electrical switch.
- Do not use any phone in your building.
- Immediately call your gas supplier from a neighbor's phone. Follow the gas supplier's instructions.
- If you cannot reach your gas supplier, call the fire department.

Installation and service must be performed by a qualified installer, service agency or the gas supplier.

Safety and warnings	3
Grill models	6
Product dimensions	7
Installation	
Locating grill / built-in clearances	8
Built-in construction details	12
Gas hook-up	14
Leak testing	17
Ignition battery	17
Burner adjustment	18
Radiant assembly	19
Installer checklist	20
Using the grill	
Lighting instructions	21
Grilling	23
Using the smoker system	29
Using the rotisserie	30
Care & maintenance	34
Troubleshooting	37
Service	38

IMPORTANT!
SAVE THESE INSTRUCTIONS

The models shown in this user guide may not be available in all markets and are subject to change at any time. For current details about model and specification availability in your country, please visit our website listed on the back cover or contact your Fisher & Paykel dealer.

A MESSAGE TO OUR CUSTOMERS

Thank you for selecting this DCS Professional BH1 Series Grill. This installation and user guide contains valuable information on how to properly install, operate and maintain your new appliance for years of safe and enjoyable cooking.

Please fill out and submit your Product Registration by visiting our website at www.dcsappliances.com and selecting "Support" on the home page and then selecting "Product Registration".

For your convenience, product questions can be answered by a DCS Customer Care Representative at www.dcsappliances.com, or email: customer.care@fisherpaykel.com.

Please write the model, code, and serial numbers on this page for reference (can be found on the inside, right side panel behind the drip pan handle. See page 20).

MODEL NUMBER _____ CODE _____ SERIAL NUMBER _____

IMPORTANT!

DO NOT discard any packing material (box, pallet, straps) until the unit has been inspected. Inspect the product to verify that there is no shipping damage. If any damage is detected, call the shipper and initiate a damage claim. DCS by Fisher & Paykel is not responsible for shipping damage.

To reduce the risk of fire, electrical shock, injury to persons, or damage when using the appliance, follow the important safety instructions listed below:

⚠ WARNING!



Hot Surface Hazard

Accessible parts may become hot during use.

Do not touch surface units or areas near units of the grill.

Hood must be opened before lighting the grill.

Never let clothing or other flammable materials come in contact with or get too close to any grate, burner or hot surface until it has cooled. Fabric may ignite and result in fire or personal injury.

Never lean over an open grill. When lighting a burner, always pay close attention to what you are doing. Be certain you are pushing the burner knob when you attempt to light the grill.

When using the grill, do not touch the grill burner, grate, or immediate surrounding area as these areas become extremely hot and could cause burns.

Grease is flammable. Never operate the grill without a grease tray. Let hot grease cool before attempting to handle it. Avoid letting grease deposits collect in the drip pan.

Clean the grill with caution. Avoid steam burns; do not use a wet sponge or cloth to clean the grill while it is hot. Some cleaners produce noxious fumes or can ignite if applied to a hot surface.

Use only dry potholders; moist or damp potholders on hot surfaces may cause burns from steam. Do not use a towel or bulky cloth in place of potholders. Do not let potholders touch hot portions of the grill or burner grate.

To avoid burns when cooking, use long handled BBQ tools.

Failure to follow this advice may result in burns and scalds or serious injury.

⚠ WARNING!



Explosion Hazard

If you smell gas, do not use the appliance.

Do not use water on grease fires, a violent steam explosion may result. Turn all burners off, then smother fire or flame or use dry chemical or foam-type extinguisher.

Do not heat unopened food containers such as cans - build-up of pressure may cause container to burst and result in injury.

Failure to follow this advice may result in injury or death.

⚠ WARNING!



Fire Hazard

Do not operate the grill under unprotected combustible construction. Use only in well ventilated areas. Do not use in buildings, garages, sheds, breezeways, covered structures or other such enclosed areas. This unit is for outdoor use only.

Never leave the grill unattended when in use.

Never store a spare LP cylinder under or near this unit.

Never fill the tank beyond $\frac{3}{4}$ full.

Do not store a full tank in direct sunlight.

Failure to follow this advice may result in death or serious injury.

⚠ WARNING!



Electrical Shock Hazard

This appliance (rotisserie motor) is equipped with a three-prong or four-prong grounding plug for your protection against shock hazard and should be plugged directly into a properly grounded power outlet. Do not under any circumstances cut or remove the grounding prong from this plug.

Failure to follow this advice may result in death or electrical shock.

IMPORTANT SAFETY INSTRUCTIONS!

- Children should not be left alone or unattended in an area where the grill is being used. Never allow them to sit, stand or play on or around the grill at any time. When in use, portions of the grill get hot enough to cause severe burns.
- Do not store items of interest to children around or below the grill, in the cart or masonry enclosure. Never allow children to crawl inside a cart or enclosure.
- After a period of storage or non-use (such as over the winter), the gas grill should be checked for gas leaks, deterioration, proper assembly, and burner obstructions before using.
- Do not heat unopened food containers as a build-up of pressure may cause the container to burst.
- Always use a covered hand when opening the grill lid and only do so slowly to allow heat and steam to escape.
- Do not try lighting this appliance without reading the “LIGHTING INSTRUCTIONS” section of this manual (page 21).
- After lighting burners, make sure burners are operating normally (see page 18).
- Do not use aluminum foil to line drip pans or grill grates or radiants. This can severely upset combustion air flow or trap excessive heat in the control area. The result of this can be melted knobs or damaged ignition components.
- Do not operate with a damaged cord or plug or after the appliance malfunctions or has been damaged in any manner. Contact the manufacturer for repair.
- Do not let the rotisserie cord hang over the edge of a table or touch hot surfaces.
- Do not use an outdoor cooking appliance for purposes other than intended.
- For personal safety, wear proper apparel. Loose fitting garments or sleeves should never be worn while using this appliance. Some synthetic fabrics are highly flammable and should not be worn while cooking. Only certain types of glass, heat-proof glass ceramic, earthenware, or other glazed utensils are suitable for grill use. These types of materials may break with sudden temperature changes. Use only on low or medium heat settings according to the manufacturer’s directions.
- Spiders and insects can nest in the grill burners, causing gas not to flow through the burner. The gas will flow from the front of the burner into the control panel. This is a very dangerous condition which can cause a fire to occur behind the valve panel, thereby damaging the grill components and making it unsafe to operate.
- Keep the area surrounding the grill free from combustible materials, trash, or combustible fluids and vapors such as gasoline, charcoal or lighter fluid. Do not obstruct the flow of combustion and ventilation air.
- Never use the grill in windy conditions. If located in a consistently windy area (oceanfront, mountaintop, etc.) a wind break will be required. Always adhere to the specified clearances as defined in the “INSTALLATION” section of this manual. Refer to the “Grill Placement” section for details if fitting a wind break.
- CALIFORNIA PROPOSITION 65-WARNING: The burning of gas cooking fuel generates some by-products which are on the list of substances which are known by the State of California to cause cancer or reproductive harm. California law requires businesses to warn customers of potential exposure to such substances. To minimize exposure to these substances, always operate this unit according to the manual, ensuring you provide good ventilation when cooking with gas.
- This outdoor cooking gas appliance is not intended to be installed in or on recreational vehicles, trailers and/or boats.
- Note: this product must be installed by a licensed plumber or gas fitter when installed within the Commonwealth of Massachusetts.
- When using the side burners always use flat bottomed pans which are large enough to cover the side burner. Adjust the flame so that it heats only the bottom of the pan to avoid ignition of clothing. Position handles inward away from open edges of the unit to avoid burns associated with unintentional spillovers. Hold the handle of the pan to prevent movement of it when turning or stirring food. For proper lighting and performance of the burners keep the ports clean. It is necessary to clean periodically for optimum performance.

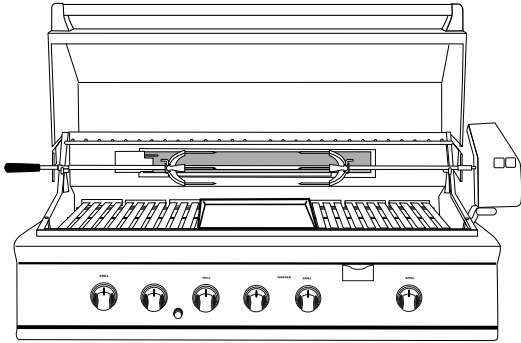
IMPORTANT SAFETY INSTRUCTIONS!

- Be sure all grill controls are turned off and the grill is cool before using any type of aerosol cleaner on or around the grill. The chemical that produces the spraying action could, in the presence of heat, ignite or cause metal parts to corrode.
- Never grill without the drip pan and grease tray in place and pushed all the way to the back of the grill. Without it hot grease could leak downward and produce a fire or explosion hazard.
- Do not place griddle plates (some models only) side by side on the grill or on top of the Infrared Hybrid Burner.
- Do not use the Infrared Hybrid Burner on BGB-36" or BGB-48" models. Use on BH1-36" & BH1-48" models only.
- If a cart unit is stored indoors, ensure that it is cool, fold the side shelf down, then push the grill, never pull. Never push or pull on the side shelves. If LP, the cylinder must be unhooked and the LP cylinder stored outside in a well ventilated area, out of reach of children.
- Never use the grill in a windy area.
- Do not locate, store or operate the grill on an inclined plane. Make sure you lock the castor wheels before operating the grill.
- Do not use charcoal or lighter fluid in the outdoor grill.
- Keep any electrical supply cord, or the rotisserie motor cord away from the heated areas of the grill and water (pools, fountains, puddles).
- Never use a dented or rusty LP tank. Keep the ventilation openings of the cylinder enclosure free and clear from debris.
- Do not move the appliance during its use.
- This unit is for outdoor use only. Do not operate in enclosed areas. This could result in carbon monoxide build-up which would result in injury or death.
- When using a grill, be sure that all parts of the unit are firmly in place and that the grill is stable (can't be tipped over).
- To put out flare-ups, adjust the controls to lower the temperature
- Never attach or disconnect an LP cylinder, or move or alter gas fittings when the grill is in operation or is hot.
- Clean and perform general maintenance on the grill twice a year. Watch for corrosion, cracks, or insect activity. Check the regulator, hoses, burner ports, air shutter, and venturi/valve section carefully. Always turn off gas at the source (tank or supply line) prior to inspecting parts.
- If you own or use a spare tank, or have a disconnected tank, you should **NEVER** store it near or under the grill/cart unit or heat box, or near any other ignition or heat source. A metallic sticker with this warning is provided with the grill to remind you, your family and all others who may use your BBQ grill of these safety precautions. Install this sticker close to your barbeque grill.

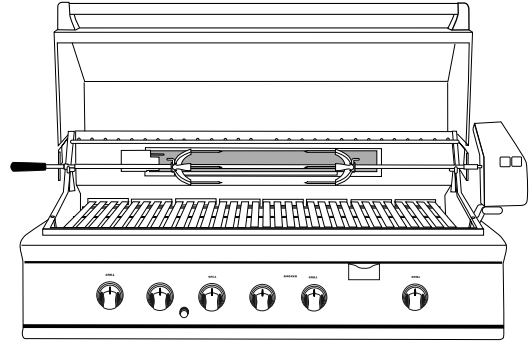


Sticker

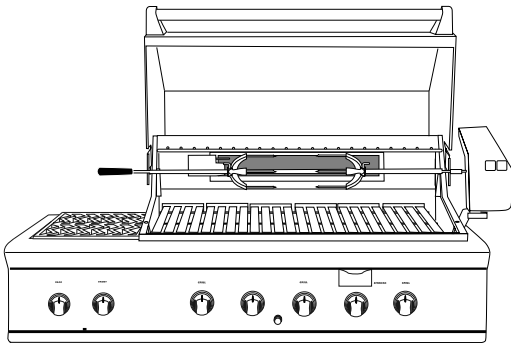
GRILL MODELS



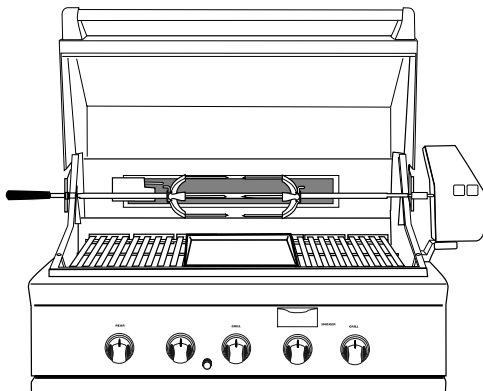
BH1-48RGI



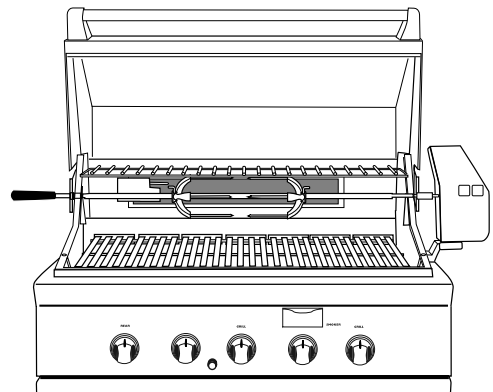
BH1-48R



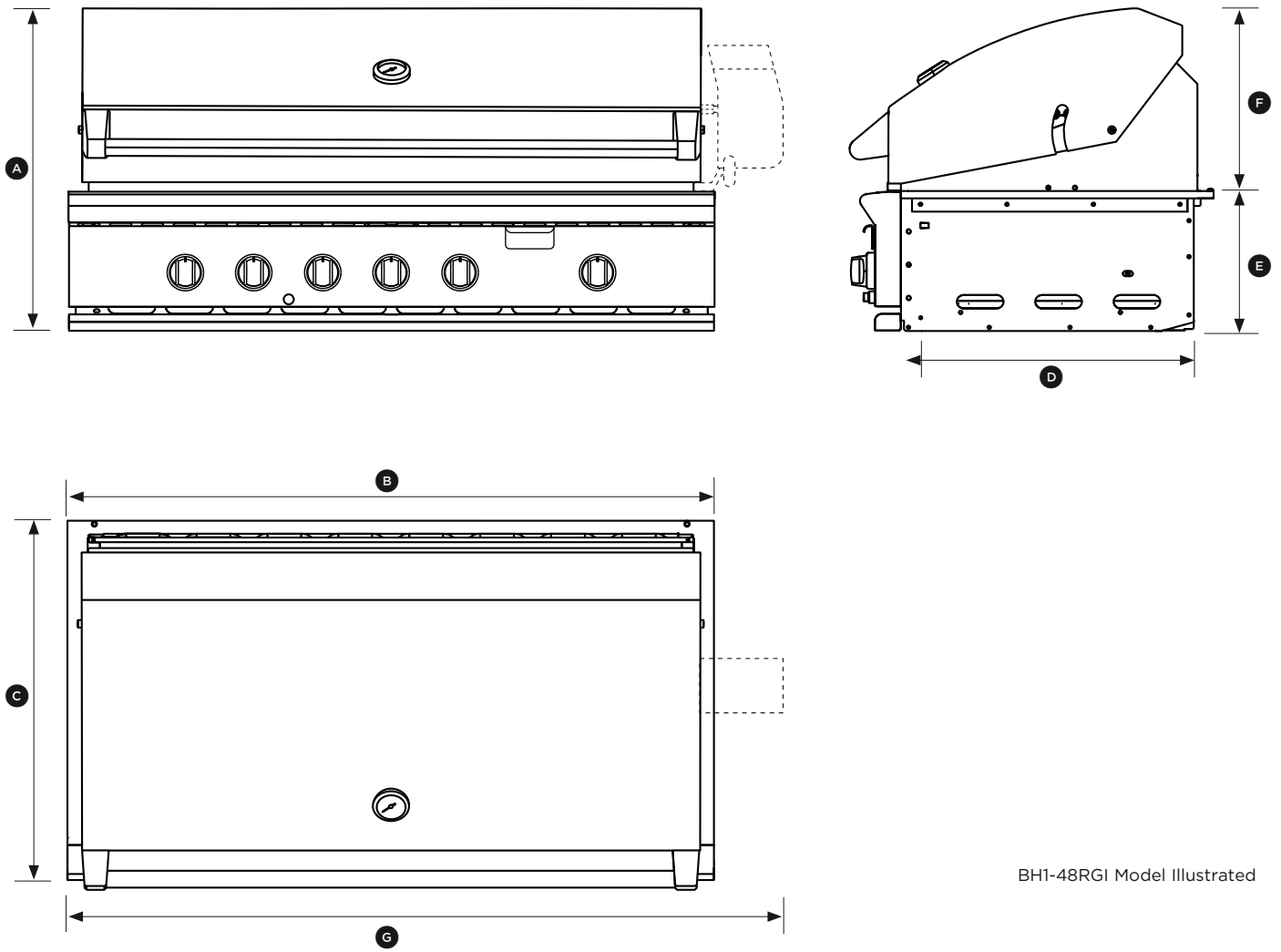
BH1-48RS



BH1-36RGI



BH1-36R



BH1-48RGI Model Illustrated

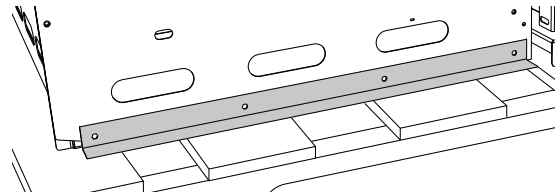
PRODUCT DIMENSIONS	BH1-48RS	BH1-48/RGI	BH1-36/RGI
	INCHES (MM)	INCHES (MM)	INCHES (MM)
(A) Overall height of grill	24 ¼ (616)	24 ¼ (616)	24 ¼ (616)
(B) Overall width of grill	47 ⅞ (1216)	47 ⅞ (1216)	35 ⅞ (911)
(C) Overall depth of grill (excluding handle and dials)	26 ⅝ 676	26 ⅝ 676	26 ⅝ 676
(D) Depth of chassis	22 ⅝ (567)	22 ⅝ (567)	22 ⅝ (567)
(E) Height of chassis	10 (254)	10 (254)	10 (254)
(F) Height of hood	13 ¾ (349)	13 ¾ (349)	13 ¾ (349)
(G) Overall width of grill with rotisserie motor mounted	53 ⅞ (1357)	53 ¼ (1352)	41 ⅝ (1057)

INSTALLATION

Locating Grill/Built-in Clearances

IMPORTANT!

Before installation, remove shipping brackets from the grill. Loosen the four screws. Slide the shipping bracket off and re-tighten the screws.



Location

When determining a suitable location, take into account concerns such as exposure to wind, proximity to traffic paths and keeping any gas or electrical supply lines as short as possible and away from heat sources. Locate the grill only in a well ventilated area. Do not build the grill under overhead unprotected combustible construction. Never locate the grill in a building, garage, breezeway, shed or other such enclosed areas. During heavy use, the grill will produce a lot of heat and smoke. Ensure that the grill is used in a well ventilated area.

If locating the grill in a windy area, try to locate the grill so the prevailing wind will blow air at the front of the grill as shown in Fig. 01b. This will assist the grill in venting hot air through the back of the grill. In addition, this will help keep any smoke from blowing at someone who is cooking on the grill. If you have to locate the grill in a windy area where the prevailing wind is at the rear of the grill (Fig. 01a), a windscreen must be installed. The windscreen should be set-up so that it blocks wind from entering the exhaust vent in the rear of the unit as shown in Fig. 01c. Location of the windscreen relative to rear of the grill must adhere to the clearances specified for combustible or non-combustible construction as defined in these instructions. Refer to following pages.

As a high-performance gas appliance, your grill requires significant amounts of air to support the combustion process. Your grill is designed to take air in through the valve panel area, and send the exhaust products out through the exhaust gap at the rear of the hood. Using your grill in windy conditions can disrupt the proper flow of air through your grill, leading to reduced performance, or in certain severe cases, causing heat buildup in the valve panel area. This can lead to problems such as having the knobs melt, or burn hazards when the valve panel surfaces become too hot to touch.

Please note that damage to your grill resulting from use in windy conditions, such as melted knobs or igniter wires, or valve panel discoloration from heat build-up, are excluded from warranty coverage.

Locating Built-in Clearances

IMPORTANT!

Gas fittings, regulator, and installer supplied shut-off valves must be easily accessible.

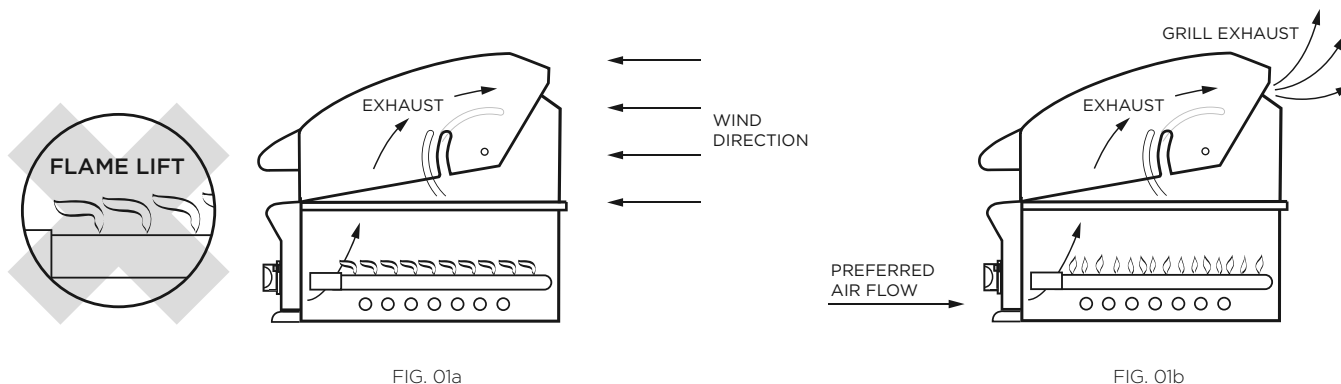


FIG. 01a

FIG. 01b

Wind hitting the grill while in use, (especially wind blowing into or across the hood gap) can cause poor performance and in some cases can cause the control panel to get dangerously hot.

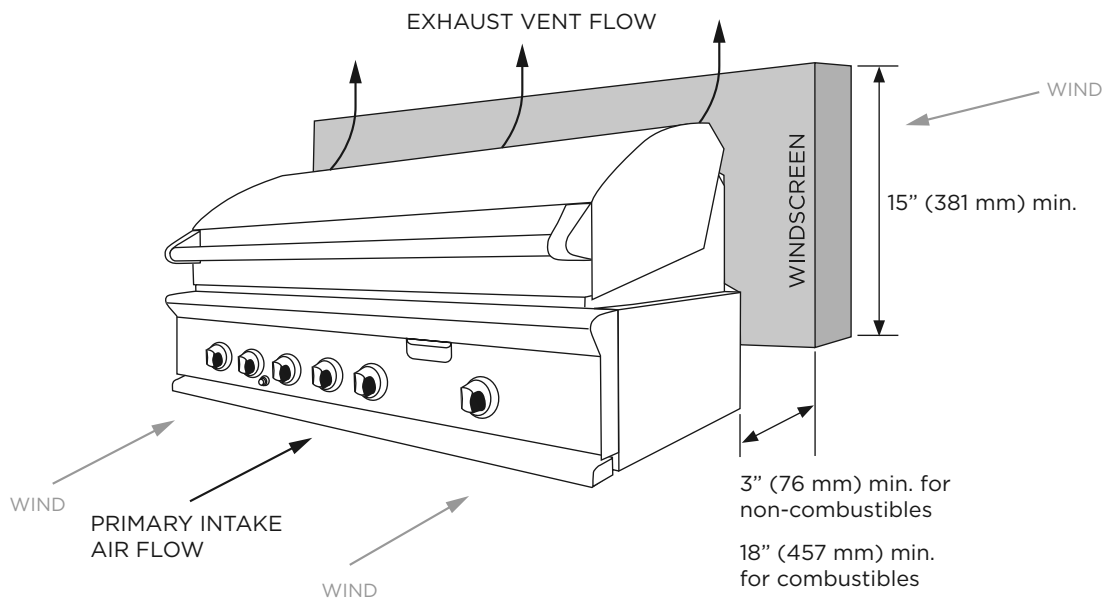


FIG. 01c

If wind is an issue, a windscreen should be added. The windscreen should be higher than the top of the opening in the back of the grill, with a minimum clearance of 3" (76mm) for non-combustibles, or 18" (457mm) for combustibles, from the back of the grill.

INSTALLATION

Locating Built-in Clearances

Clearances to non-combustible construction*

A minimum of 3" clearance from the back of the grill to non-combustible construction is required for the purpose of allowing the lid to open fully. It is desirable to allow at least 6" rear and side clearance to non-combustible construction above the cooking surface for counter space. If you'll be using the rotisserie option, the space is essential for motor and skewer clearance. The grill can be placed directly adjacent to non-combustible construction below the cooking surface (Fig. 02).

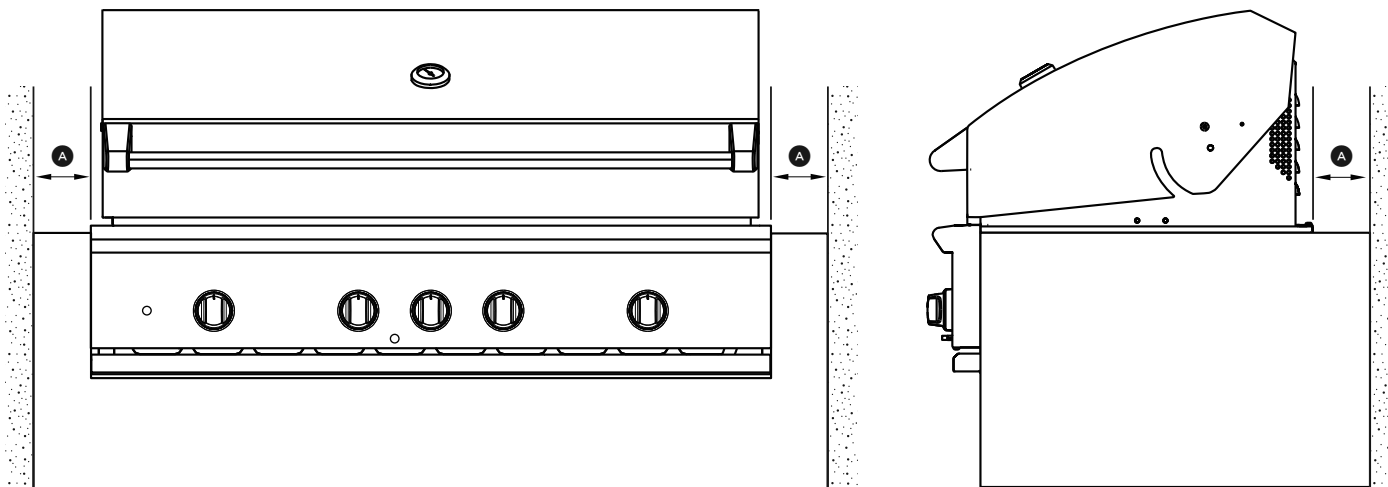



FIG. 02

PRODUCT DIMENSIONS	INCHES (MM)	
Ⓐ Minimum distance from non-combustible surface to grill	3 (76)	 = NON-COMBUSTIBLE SURFACE

***DEFINITION OF NON-COMBUSTIBLE MATERIAL** - Material which is not capable of being ignited and burned, such as materials consisting entirely of, or a combination of, steel, iron, brick tile, concrete, slate, and plaster.

IMPORTANT!

- **Failure to maintain required clearances creates a fire hazard that may result in property damage or serious personal injury.**
- **The grill is designed to function in an open area. Recommended minimum clearances should be maintained to all surfaces (combustible and non-combustible) for optimum performance. Non-combustible material within the minimum clearance area could result in discoloration or deterioration.**
- **If a non-combustible material such as stucco is covering a combustible material such as wood, the minimum clearance distance needs to be considered for wood. The presence of a non-combustible material inside the clearance zone does not eliminate the minimum clearance zone to combustible material.**

General

The grill is designed for easy placement into built-in masonry enclosures. For non-combustible applications the grill drops into the opening shown in Fig. 04 and hangs from its side flanges. A deck is not required to support it from the bottom. When using the insulated jacket in a combustible enclosure application, see the Fig. 05. The insulation jacket assembly must be supported from the bottom by a ledge on each side and back or a solid deck.

A spirit level should be used to ensure that the unit is level both front-to-back and side-to-side. If it is not level, burner combustion may be erratic or the unit may not function efficiently for grease flow. If the floor is uneven, re-leveling may be required whenever a freestanding unit is moved.

Locating Built-in Clearances

Clearances to combustible construction**

Minimum of 18" (457 mm) from the sides and rear of grill must be maintained to adjacent vertical combustible construction, above the counter top level. You should take in account that there is a large volume of heat, and smoke will exhaust from the rear of the grill. This may discolor or damage unprotected areas. Do not install under unprotected combustible construction without using a fire safe ventilation system.

A 18" (457mm) minimum clearance must be maintained under the counter top to combustible construction. The clearance can be modified by a use of an insulated jacket.

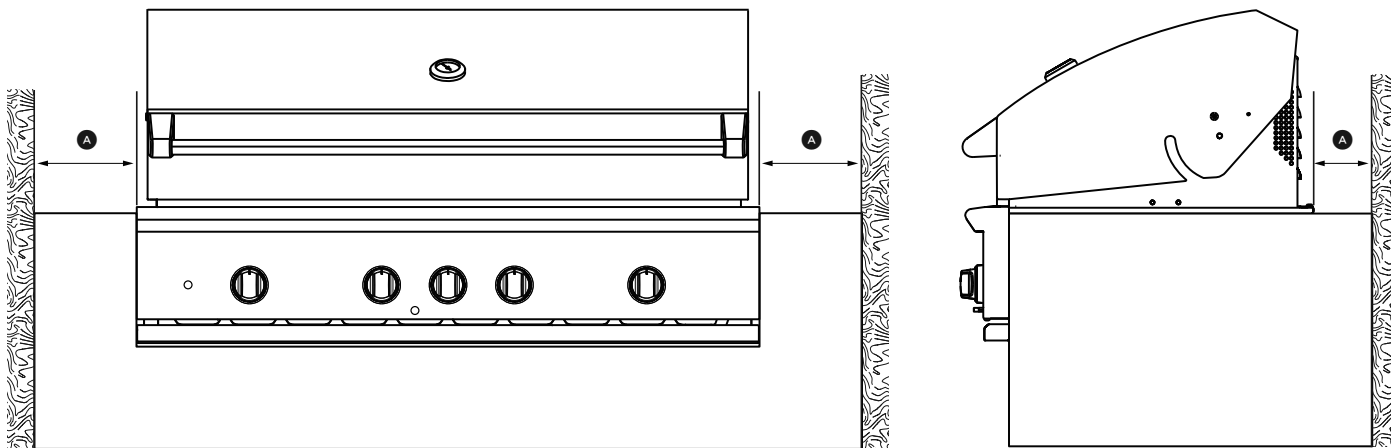


FIG. 03

PRODUCT DIMENSIONS	INCHES (MM)	
(A) Minimum distance from combustible surface to grill	18 (457)	= COMBUSTIBLE SURFACE

****DEFINITION OF COMBUSTIBLE MATERIAL** - Any materials of a building structure or decorative structure made of wood, compressed paper, plant fibers, vinyl/plastic or other materials that are capable of transferring heat or being ignited and burned. Such material shall be considered combustible even though flame-proofed, fire-retardant treated or surface-painted, or plastered.

IMPORTANT!

It is recommended that a minimum of two 12 1/4x12 1/4" (311 x 311mm) vents be provided in order to safely dissipate unburned gas vapors in the event of a gas supply leak. These are to be located on each side of the enclosure and within 5" (127mm) of the top.

Insulated jacket

If the grill is to be placed into a combustible enclosure, an approved insulated jacket is necessary. Insulated jackets are available from your dealer. Use only the DCS insulated jacket which has specifically been designed and tested for this purpose. Review the detail drawing shown (Fig. 05) and take into account the provisions shown for gas line hook-up clearance in the right rear corner. It is required that ventilation holes are provided in the enclosure to eliminate the potential build-up of gas in the event of a gas leak. The supporting ledges or deck must be level and flat and strong enough to support the grill and insulated jacket. The counter should also be level.

IMPORTANT!

Installing this product into a combustible enclosure without an insulated jacket could result in fire, property damage and personal injury.

INSTALLATION

Built-in Construction Details

Standard layout for non-combustible cavity

IMPORTANT!

If installing the grill into a non-combustible enclosure, all combustible construction must still be outside the 18" (457mm) clearance zone. If your island is made of stucco over the top of wooden studs, the wood can not be inside the 18 inch clearance zone to combustible, even though the stucco is what is touching the grill area.

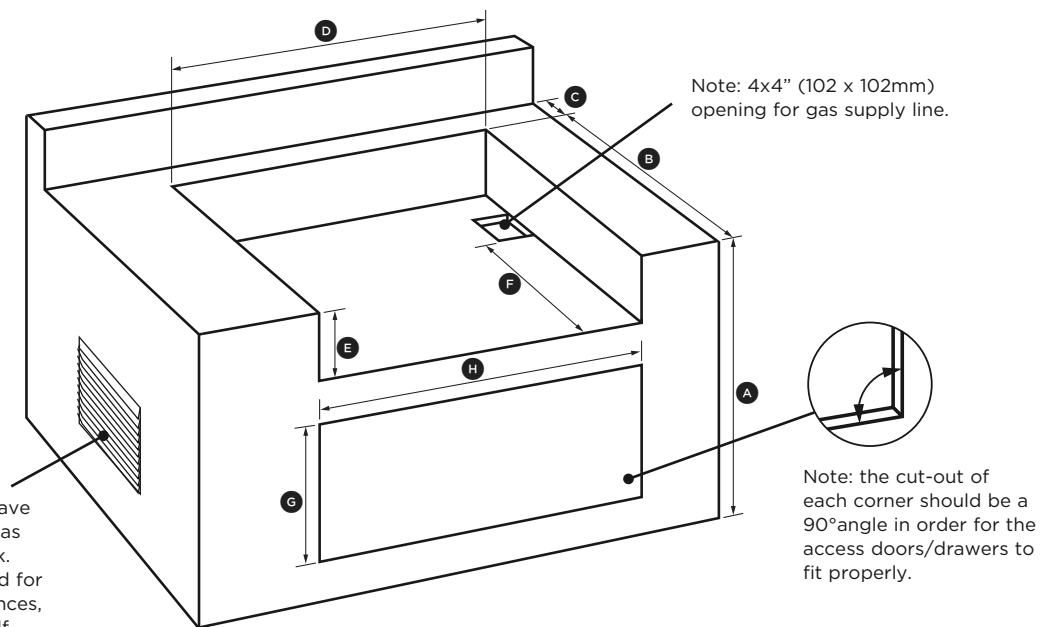


FIG. 04

CAVITY DIMENSIONS	BH1-48R	BH1-36R
	Inches (mm)	Inches (mm)
Ⓐ Maximum height of enclosure shell	35 ½ (902)	35 ½ (902)
Ⓑ Depth of enclosure shell	22 ¾ (578)	22 ¾ (578)
Ⓒ Minimum depth for hood swing	3 ¾ (95)	3 ¾ (95)
Ⓓ Width of enclosure cavity	45 ¾ (1162)	34 ½ (876)
Ⓔ Height of enclosure cavity	10 ⅛ (257)	10 ⅛ (257)
Ⓕ Depth to gas supply opening	18 ½ (470)	18 ½ (470)
Ⓖ Height of opening for access doors/drawers	20 (508)	20 (508)
Ⓗ Width of opening for access doors/drawers	46 (1168)	34 (864)

Built-in Construction Details

Standard layout for cavity including insulated jacket

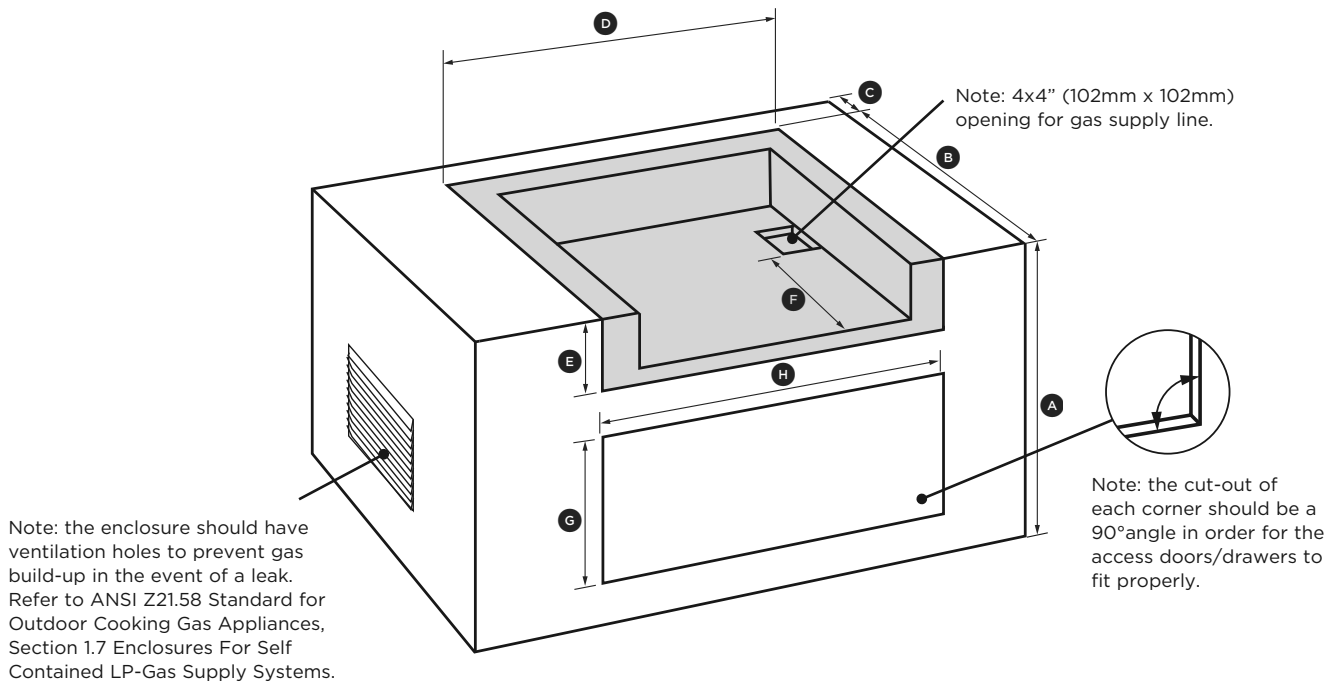


FIG. 05

CAVITY DIMENSIONS	BH1-48R	BH1-36R
	Inches (mm)	Inches (mm)
Ⓐ Maximum height of enclosure shell	35 ½ (902)	35 ½ (902)
Ⓑ Depth of enclosure shell	23 ¾ (603)	23 ¾ (603)
Ⓒ Minimum depth for hood swing	18 ¾ (476)	18 ¾ (476)
Ⓓ Width of enclosure cavity	51 ⅝ (1318)	40 ½ (1029)
Ⓔ Height of enclosure cavity	11 ⅞ (283)	11 ⅞ (283)
Ⓕ Depth to gas supply opening	18 ½ (470)	18 ½ (470)
Ⓖ Height of opening for access doors/drawers	20 (508)	20 (508)
Ⓗ Width of opening for access doors/drawers	46 (1168)	34 (864)

ACCESS DOORS MODEL NUMBER	ACCESS DRAWERS MODEL NUMBER	CAVITY WIDTH	CAVITY HEIGHT
		Inches (mm)	Inches (mm)
ADN1-20x48	ADR2-48	46 (1168)	20 (508)
ADN1-20x36	ADR2-36	34 (864)	20 (508)
ADN1-20x30	ADR2-30	28 (711)	20 (508)
ADN1-20x24	ADR2-24	22 (559)	20 (508)

To order access drawers or doors, please visit www.dcsappliances.com for further details.

INSTALLATION

Gas Hook-up

Gas requirements

Verify the type of gas supply to be used, either natural or LP, and make sure the marking on the appliance rating plate agrees with that of the supply. The rating plate is located on the underside of the drip tray. Never connect an unregulated gas line to the appliance. You must use the gas regulator provided with the unit, even if the supply is controlled.

An installer-supplied gas shut-off valve must be installed in an easily accessible location. All installer supplied parts must conform to local codes, or in the absence of local codes, with the National Electrical Code, ANSI/NFPA 70 or the Canadian Electrical Code, CSA C22.1, and the National Fuel Gas Code, ANSI Z223.1 or CSA-B149.1 Natural Gas Installation Code or CSA-B149.2 Propane Installation Code. In Massachusetts such shut-off valves should be approved by the Board of State Examiners or Plumbers & Gas Fitters.

All pipe sealants must be an approved type and resistant to the actions of LP gases. Never use pipe sealant on flare fittings. All gas connections should be made by a qualified technician and in accordance with local codes and ordinances. In the absence of local codes, the installation must comply with the National Fuel Gas Code ANSI Z223.1. Gas conversion kits are available from Customer care. When ordering gas conversion kits, have the model number, and the type of gas (natural or LP) from your grill.

Total gas consumption of the grill with all burners on HI

BH1-48RS - 126,500 Btu/hr or 133.5MJ/h BH1-48R/BH1-48RGI - 121,500 Btu/hr or 128.2 MJ/h

BH1-36R/BH1-36RGI - 92,500 Btu/hr or 97.5 MJ/h.

The appliance and its individual shut-off valve must be disconnected from the gas supply piping system during any pressure testing of that system at test pressures in excess of 1/2 PSIG (3.5 kPa.) The appliance must be isolated from the gas supply piping system by closing its individual manual shut-off valve during any pressure testing of the gas supply piping system at test pressures equal to or less than 1/2 PSIG (3.5 kPa.). The installation of this appliance must conform with local codes or, in the absence of local codes, with the National Fuel Gas Code, ANSI Z223.1/NFPA 54. Installation in Canada must be in accordance with Natural Gas and Propane Installation Code, CSA B149.1, and/or Propane Storage and Handling Code, B149.2 and local codes.

Natural gas built-in hook-up

(This should be performed by a technician only)

Connection: 1/2" NPT female with 3/8" flare adapter

Operating pressure: 4.0" W.C. **Supply pressure:**

5" to 14" W.C. If in excess of 14" W.C., a step down regulator is required. Check with your local gas utility company or local codes for instructions on installing gas supply lines. Be sure to check on type and size of run, and how deep to bury the line. If the gas line is too small, the grill will not function properly. Any joint sealant used must be an approved type and be resistive to the actions of LP gases.

To hook-up the fittings supplied with the grill

Assemble as shown (Fig. 06). Use threading compound on male threads only. Do not use threading compound on the male end of the 1/2 NPT to 3/8 flare adapter. Use a second pipe wrench to hold the grill inlet pipe to avoid shifting any internal gas lines of the grill. Ensure that the regulator arrow points in the direction of gas flow towards the unit, away from the supply. Do not forget to place the installer-supplied gas valve in an accessible location.

LP Gas Hook Up (Type 1 or QCC1 regulator)

Grills orificed for use with LP gas come equipped with a high capacity hose/regulator assembly for connection to a standard 20 lb. LP cylinder (Type 1). The LP tank is not included.

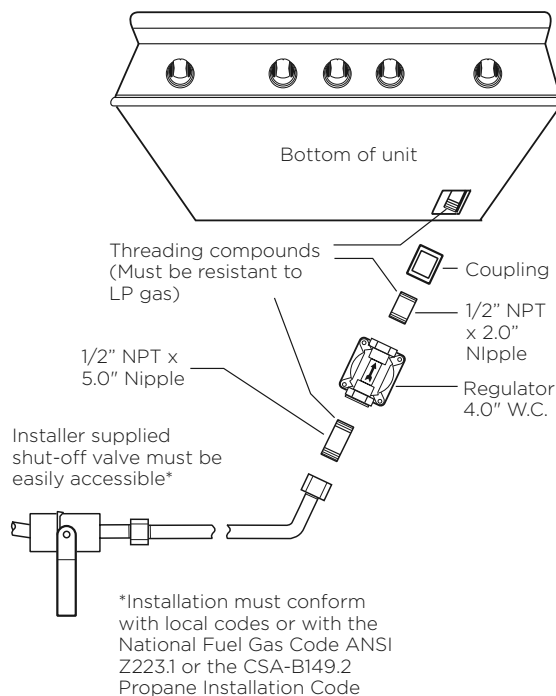


FIG. 06 Natural Gas

Gas Hook-up

LP cart hook-up

Grills orificed for use with LP gas come equipped with a high capacity hose/regulator assembly for connection to a standard 20 lb. LP cylinder (Type 1). The LP tank is not included. **The grill system is leak tested, do not remove the Regulator/Hose assembly from the grill during cart installation.**

Connection: LP Hose with a Type 1 quick disconnect and regulator is included. **Operating pressure:** 11.0" W.C. Note: all gas piping and connectors must conform to the Standard for Connectors for Outdoor Gas Appliances and Manufactured Homes, ANSI Z21.75/CSA 6.27.

To connect the LP regulator/hose assembly to the tank/valve assembly, first make sure the main valve on the tank is completely closed. Although the flow of gas is stopped when the Type 1 system is disconnected as part of its safety feature, you should always turn off the LP tank main valve (Fig. 07) after each use and during transport of the tank or unit. Insert the regulator inlet into the tank valve and turn to the black coupler clockwise until the coupler tightens up. Do not overtighten the coupler. Turn the main tank valve on and turn the burner control valves on the unit to the "HI" position for about 20 seconds to allow the air in the system to purge. Turn valves off and wait 5 minutes before attempting to light the burners.

To disconnect the coupler, first make sure the main tank valve is turned off. Grasp the coupler and turn counter clockwise. The inlet will then disengage. Remove the inlet from the tank valve opening if it has not already done so when it disengaged. Your local LP filling station should be equipped with the proper equipment to fill your tank.

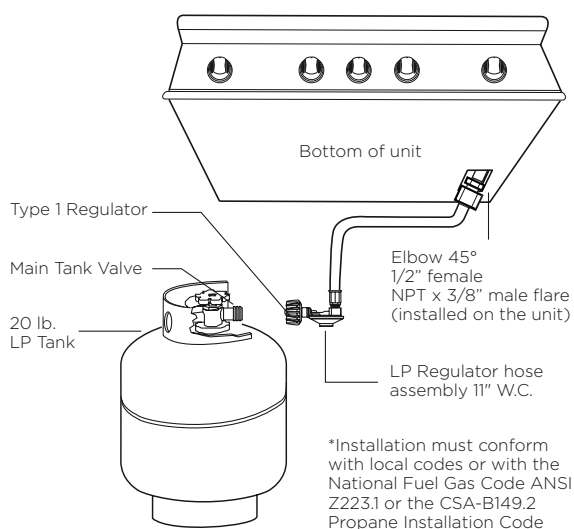


FIG. 07 LP Gas - Cart

IMPORTANT!

- **Before connecting LP tank to regulator, check that all grill burners and rotisserie valves are in the OFF position and open grill hood.**
- **Do not place the Grill directly on the ground or any other flat surface without support. This will prevent damaging the regulator/hose assembly by the weight of the grill.**
- **Check the hose, regulator and connectors for damage. Look for cracks, abrasions, brittleness, holes, dents and nicks.**
- **Do not attempt to remove, repair, or replace the regulator/hose assembly by yourself. It must be done by a qualified licensed technician only.**

LP tank requirements

A dented or rusty LP tank may be hazardous and should be checked by your LP supplier. The cylinder that is used must have a collar to protect the cylinder valve. Never use a cylinder with a damaged valve. Always check for leaks after every LP tank change. The LP gas cylinder must be constructed and marked in accordance with the specifications for LP gas cylinders of the U.S. Department of Transportation (DOT or CAN/CSA-B339) and designed for use with a Type 1 system only. Do not change the regulator/hose assembly from that supplied with the unit or attempt to use a Type 1 equipped regulator/hose assembly with a standard 510 POL tank/valve assembly. The cylinder must be provided with a shut-off valve terminating in an LP gas supply cylinder valve outlet specified, as applicable, for connection Type 1. If the appliance is stored indoors, the cylinder must be disconnected and removed from the appliance. Cylinders must be stored outdoors in a well-ventilated area out of the reach of children.

INSTALLATION

Gas Hook-up

LP built-in hook-up

If the grill is to be installed in a built-in application, then the grill must be installed in accordance with the built-in installation guidelines and the LP regulator/hose assembly must be removed from the product.

Connection: LP Hose with a Type 1 quick disconnect and regulator is included. **Operating pressure:** 11.0" W.C. All gas piping and connectors must conform to the Standard for Connectors for Outdoor Gas Appliances and Manufactured Homes, ANSI Z21.75/CSA 6.27.

If you intend to operate your built-in grill on LP gas utilizing a 20v lb type 1 cylinder, then a built-in LP tank restraint must be installed prior to initial use of the grill. The Installer must supply 1/2" ID Flex hose and fixed pipe and a flare adaptor as indicated in Fig. 08.

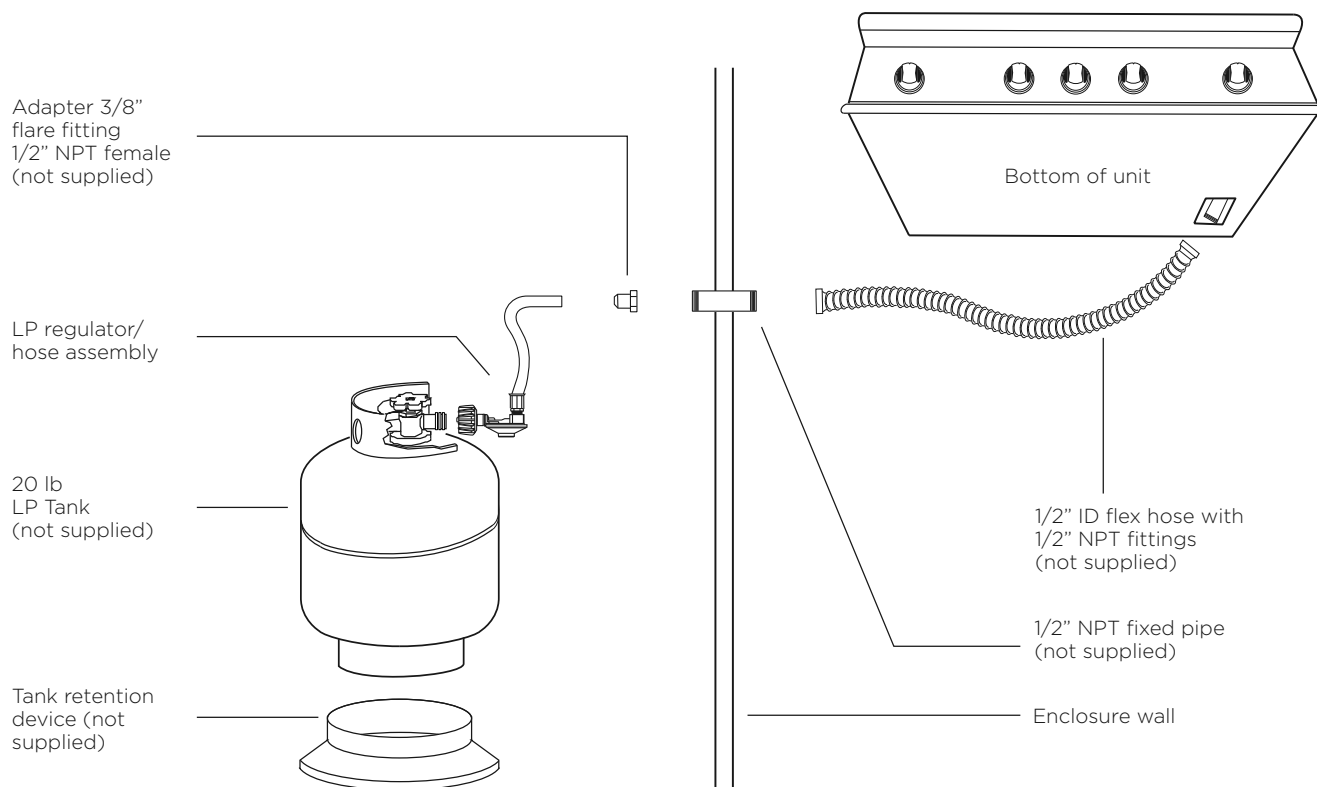


FIG. 08 LP Gas - Built-in

Note: when an LP unit is being directly connected to an LP house system, you must follow the natural gas hook up guidelines.

The installer must provide the proper gas regulator to reduce the gas pressure to 11" W.C.

IMPORTANT!

Gas piping and connectors must be clamped within the the enclosure to avoid contact with moving parts and hot surfaces. Where the gas piping passes through an opening in the enclosure, the piping must be protected for a distance of at least 2" (50mm) either side of the opening.

Leak Testing

IMPORTANT!

Gas leak testing must be carried out by a qualified technician.

General

Although all gas connections on the grill are leak tested at the factory prior to shipment, a complete gas tightness check must be performed at the installation site due to possible mishandling in shipment, or excessive pressure unknowingly being applied to the unit. Periodically check the whole system for leaks, or immediately check if the smell of gas is detected.

Before Testing

Do not smoke while leak testing. Extinguish all open flames. Never leak test with an open flame.

Make a soap solution of one part liquid detergent and one part water. You will need a spray bottle, brush, or rag to apply the solution to the fittings. For LP units, check with a full cylinder. The valve panel must be removed to check the valves and fittings. Remove the knobs and the safety valve knob, then remove the 2 screws which fasten the valve panel to the unit (you will need a Philips screw driver for this). Pull the valve panel outward and unplug the wires from the ignition module. In the back of the unit remove the screws which hold the service panel in place. Remove the service panel.

To Test

Make sure all control valves are in the "OFF" position. Turn the gas supply "ON". Check all connections from the supply line, or LP cylinder up to and including the manifold pipe assembly. Apply the soap solution around the connection, valve, tubing and end of the manifold. Avoid getting the soap solution on or in the valve switches. Soap bubbles will appear where a leak is present. If a leak is present, immediately turn off gas supply, tighten any leaking connections, turn gas on, and recheck. Check all the gas connections at the base of the control valves where they screw into the manifold pipe.

To check rotisserie burner and safety valve the burner must be lit, then leak test the connections located behind the service panel. If you cannot stop a gas leak turn off the gas supply and call your local gas utility, or the dealer you purchased the appliance from. Only those parts recommended by the manufacturer should be used on the grill. Substitution can void the warranty.

IMPORTANT!

- **Do not use the grill until all connections have been checked and do not leak.**
- **Check all gas supply fittings for leaks before each use. Keep a spray bottle of soapy water near the gas supply shut-off valve. Spray all the fittings, bubbles indicate leaks.**

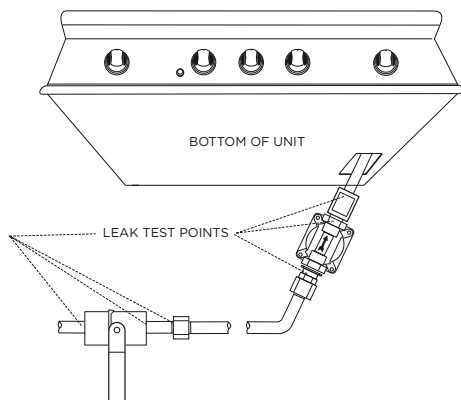


FIG. 09 Nat. Gas

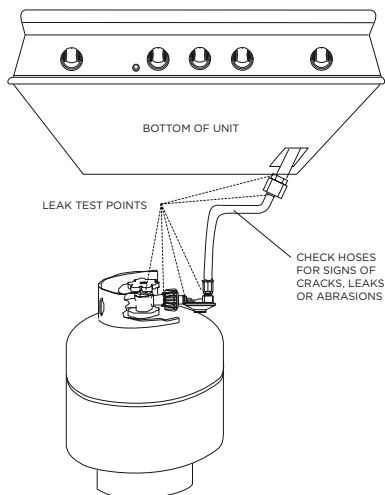


FIG. 10 LP Gas - Cart

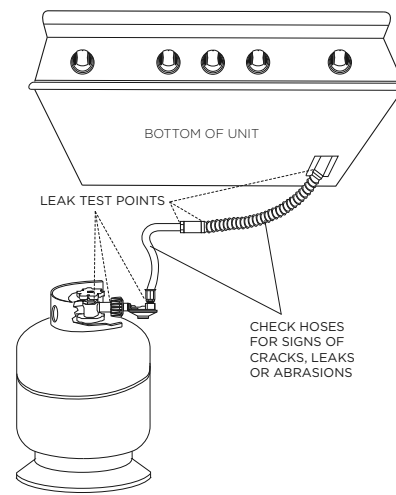


FIG. 11 LP Gas - built-in

Ignition battery

See page 34.

INSTALLATION

Burner Adjustment

IMPORTANT!

Before lighting, inspect the gas supply piping or hose prior to turning the gas “on”. If there is evidence of cuts, wear, or abrasion, it must be replaced prior to use.

Grill burner air adjustment

Each grill burner is tested and adjusted at the factory prior to shipment; however, variations in the local gas supply or a conversion from one gas to another may make it necessary to adjust the burners. The flames of the burners (except the rotisserie burner) should be visually checked and compared to that of the drawing in Fig.12. Flames should be blue and stable with no yellow tips (LP units may have some yellow tipping), excessive noise or lifting. If any of these conditions exist, check if the air shutter or burner ports are blocked by dirt, debris, spider webs, etc. Proceed with air shutter adjustment. The amount of air which enters a burner is governed by a metal cup at the inlet of the burner called an air shutter. It is locked in place by a screw which must be loosened prior to lighting the burner for adjustment.

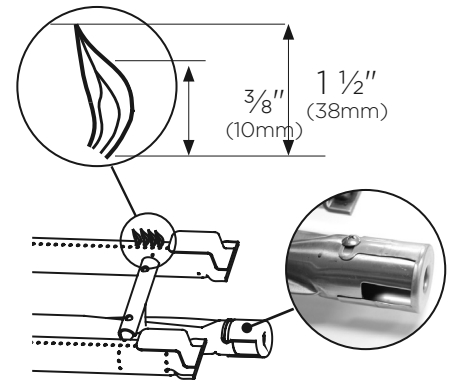


FIG. 12

Grill burner flame height

Before beginning, ensure the grill is off and cool. To access the grill burner air shutters, first remove the grates and radiants from the firebox, then remove the grill burner using instructions shown on page 35. With a screw driver, loosen the lock screw on the face of the air shutter slightly so that the air shutter can be adjusted.

To adjust

- ① Be careful as the burner may be very hot.
- ② If the flame is yellow, indicating insufficient air, turn the air shutter counter-clockwise to allow more air to the burner.
- ③ If the flame is noisy and tends to lift away from the burner, indicating too much air, turn the air shutter clockwise.

Note: reinstall the U-burner, ensuring the burner is level. Light the burner and check the flame. If the color of the flame is blue and the height is stable, remove the burner and tighten the air shutter screw. If the flames show instability or an inconsistent color, repeat the above procedure to readjust the air shutter.

Low flame setting adjustment

The valves on the grill feature an adjustable low setting. Due to fluctuations in gas pressure, heating value or gas conversion, you may feel it necessary to increase or decrease gas flow in the low position. We do not recommend adjusting the infrared rotisserie burner.

To adjust

- ① Light the burner.
- ② Turn the control knob to the lowest setting (counter-clockwise).
- ③ Remove the knob.
- ④ While holding the valve shaft with pliers, insert a thin, flat tipped screwdriver into the shaft and while viewing the burner adjust to a minimum stable flame.

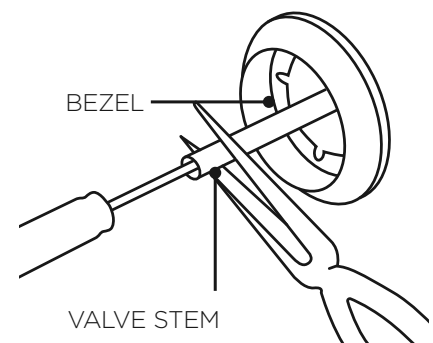


FIG. 13

Side burner flame height

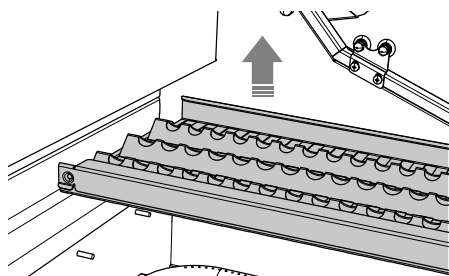
The correct height of the flame mainly depends on the size of the bottom of the cooking utensil, the material of the cooking utensil, the amount and type of food and the amount of liquid in the utensil. Following are some basic rules for selecting flame height.

- For safety reasons the flame must never extend beyond the bottom of the cooking utensil. Never allow flames to curl up the side of the pan.
- Utensils which conduct heat slowly (such as glass-ceramic) should be used with medium to low flames. If you are cooking with a large amount of liquid, a slightly larger flame can be used.

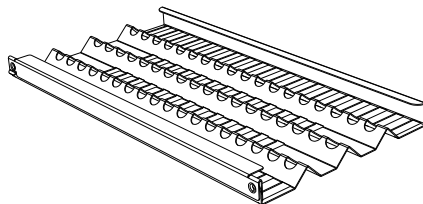
Radiant Assembly

IMPORTANT!

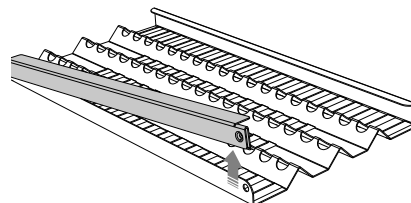
Before assembling the radiant, check that the radiant trays have not moved during transit. They should sit securely on their locating pins in the base of the grill.



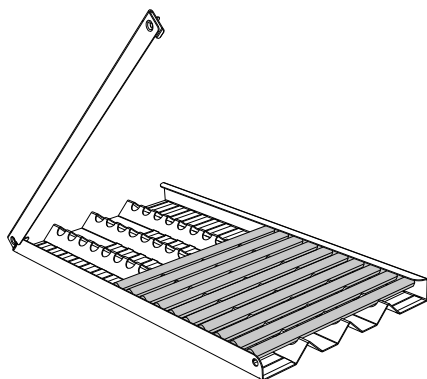
① Locate the radiant in the unit.



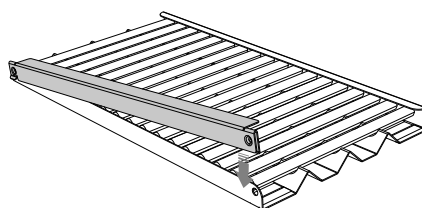
② Unpack ceramic rods and remove radiant from the unit.



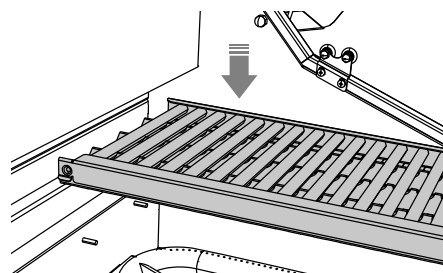
③ Unlock radiant end cap by pushing it up with two fingers.



④ Place the 18 ceramic rods onto the radiant.



⑤ Lock radiant end cap.



⑥ Place the assembled radiant into the unit.

If a ceramic rod breaks

- ① Unlock radiant end cap by pushing it up with two fingers.
- ② Replace broken ceramic rod.
- ③ Lock radiant end cap.

To order a replacement ceramic rod, please visit www.dcsappliances.com.

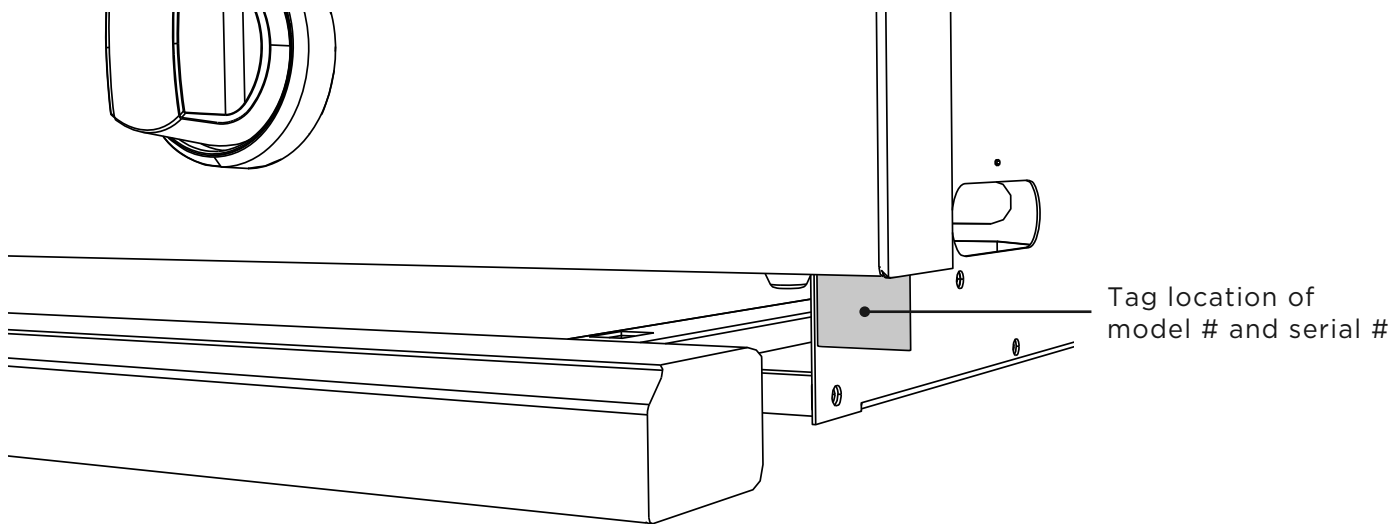
Note: for BH1-48RGI and BH1-36RGI models see the Quick Start Guide for information on installing the griddle and Infrared Hybrid Burner.

INSTALLATION

✓ Installer Checklist

- | | | |
|---|---|--|
| <input type="checkbox"/> Specified clearances maintained to combustibles. | <input type="checkbox"/> Each burner lights satisfactorily - individually or with adjacent burner lit. | <input type="checkbox"/> Unit tested and free of leaks. |
| <input type="checkbox"/> Verified proper enclosure ventilation. | <input type="checkbox"/> Air shutters adjusted. | <input type="checkbox"/> User informed of gas supply shut-off valve location. |
| <input type="checkbox"/> All internal packaging and any adhesive residue removed. To remove stubborn residue, use rubbing alcohol or a commercially available adhesive remover. | <input type="checkbox"/> Low flame setting satisfactory. | <input type="checkbox"/> All radiant trays are assembled and put in place. |
| <input type="checkbox"/> Removed shipping bracket. | <input type="checkbox"/> Drip pan in place properly and sliding freely. | <input type="checkbox"/> Check match lighting. |
| <input type="checkbox"/> Knobs turn freely, bezels centered. | <input type="checkbox"/> Pressure regulator connected and set for 4.0" C.E. Natural, 11.0" C.E. LP gas. | <input type="checkbox"/> Please leave these instructions with the user. |
| <input type="checkbox"/> Ignition battery installed. | <input type="checkbox"/> Manual shut-off valve installed and accessible. | <input type="checkbox"/> User, please retain these instructions for future reference. |

Contact DCS at www.dcsappliances.com if any of the listed items are missing. Please be prepared with your model #, serial # and description of item(s) that are missing.



IMPORTANT!

Read all installation instructions in this manual to see if the unit has been correctly installed. Ensure that installation has been completed correctly before use.

Lighting Instructions

Grill lighting instructions

IMPORTANT!

Open the grill lid and/or remove the top grate cover from side burner (for BH1-48RS) before lighting. Turn all knobs to “OFF”. Turn the main gas supply on. If you smell gas, shut-off gas supply and call for customer care.

Grill lighting instructions

The grill knob is connected to the electronic ignition module. Pushing in on the burner knob will activate the ignition module to get a spark. Push in and turn the selected burner knob to HI/SEAR position. Release the knob when the burner lights. If burner does not light in four to five seconds, turn knob “OFF” and wait five minutes before trying again so any accumulated gas may dissipate.

Grill Match Lighting

If the burner will not light after several attempts, then the burner can be match lit. If you’ve just attempted to light the burner with the ignition, allow five minutes for any accumulated gas to dissipate. Keep your face as far away from the outdoor appliance as possible and hold a paper book match over the hole located on the top left for burner on the left, or the right hole for the right burner (Fig. 13). Push in and turn the control knob which is centered on the burner where the lit match is located, to “SEAR”. If the burner does not light in four seconds, turn the knob off, wait five minutes and try again.

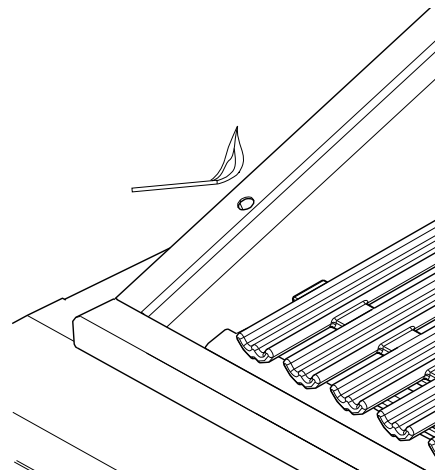


FIG. 14

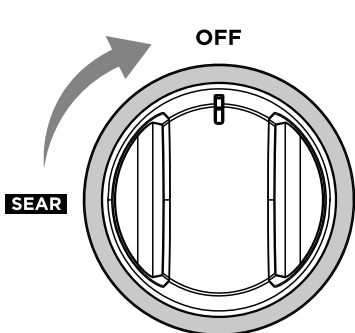
IMPORTANT!

Improper lighting procedures can cause the LP tank flow control to activate, resulting in reduced heat output. If this is suspected the flow control will need to be reset. For BH1-48RGI and BH1-36RGI models see the Quick Start Guide for how to use the griddle and Infrared Hybrid Burner.

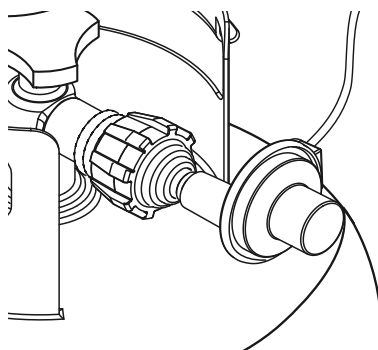
Resetting the flow control

IMPORTANT!

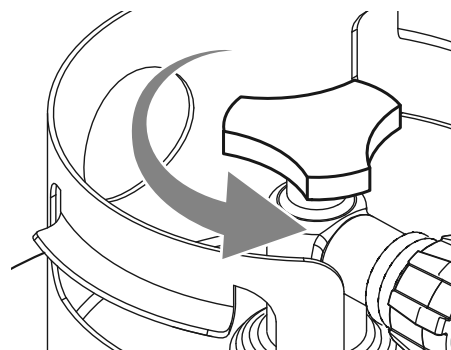
Failure to follow the steps in the order shown may cause the Flow Limiting Device to activate resulting in extremely low gas flow and irregular operation.



① All knobs must be in the OFF position.



② Attach regulator hose assembly to the tank.



③ Open the LP tank valve. (Two full turns min).

USING THE GRILL

Lighting Instructions

To Light Dual Side Burners (48BQR Models only)

IMPORTANT!

The side burner cover may be hot if the grill burners are in operation.

Side Burners Lighting Instructions

First remove the burner cover and any cooking utensils from the burner grate. The control knob is connected to the electronic ignition module. Pushing in on the control knob will activate the ignition module to get a spark. Push the control knob in and turn to "HI". If burner does not light in four to five seconds, turn knob "OFF" and wait five minutes before trying again for any accumulated gas to dissipate. If the burner will not light after several attempts, check the trouble shooting instructions on page 37.

Side Burners Match Lighting

Hold a lit paper book match near the burner ports, turn the control knob counterclockwise to "HI". Move your hand immediately once the burner is lit. Rotate the control knob to the desired setting.

Note: if you are using propane gas, a slight pop or flash may occur at the burner ports a few seconds after the burner has been turned "OFF". This "extinction pop" is normal for propane gas.

Side burners

Your side burner is equipped with burners typical of those used in restaurants. These burners are designed for maximum cleanability and controlability. The burner should never be operated if the cap is not in place (Fig. 16).

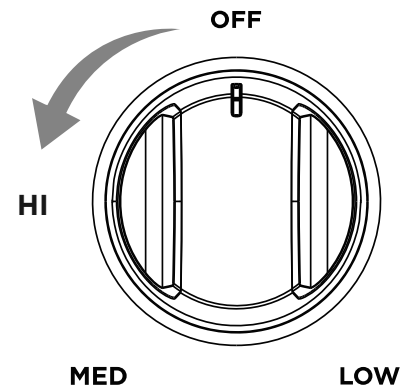


FIG. 15

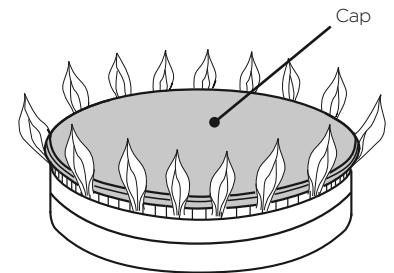


FIG. 16

Grilling

Grill

Each grill section consists of a large stainless steel burner, stainless steel heat baffles, a series of ceramic rods encased in a stainless steel radiant, and a stainless steel heat retaining grate. Each burner is rated at 25,000 Btu/hr or 26,5MJ/h. Below the burners there is a stainless steel heat baffle which reflects usable heat upward into the cooking area and reduces temperatures of the drip pan below. Above the burners are stainless steel radiants which encase the ceramic rods and protect the grill burner ports from blockage (Fig. 17).

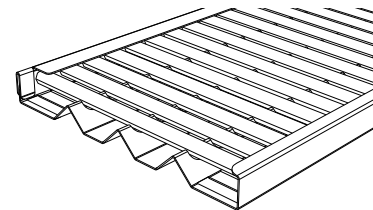


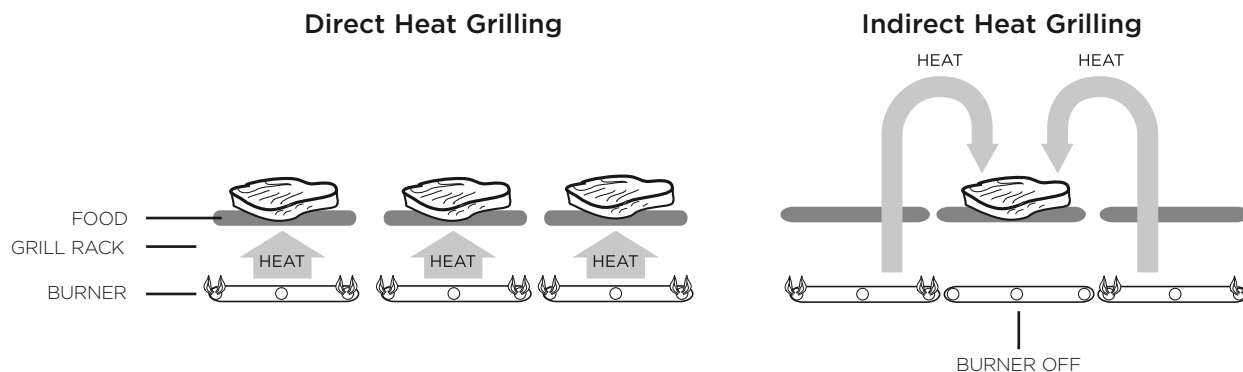
FIG. 17

The grill is supplied with radiant ceramic rods. Because of the porosity of ceramic rods, performance is superior in the rods' ability to capture heat as it rises from the grill burners. They also possess the thermal mass needed for even cooking performance. Flare ups are controlled because the radiant ceramic rods keeps grease from getting to the flames and igniting. The intense heat produced by this system produces true grilled flavor as fats and juices are brought to the surface of the food and caramelized. Discoloration of the grates is normal after use.

Direct/indirect cooking notes

Direct cooking involves placing food on grates over lighted burners. Use this method for foods that take less than 20 minutes to cook or to sear larger items at the start of the cooking process that will then be indirectly cooked to finish. Place items on the preheated surface and leave until they no longer stick. Turning too soon and too often is one of the most common grilling mistakes. Never spray water on the grill or into grease. The patented Grease Management System™ reduces flare-ups by channeling grease away from the flame. Use a meat thermometer to achieve desired doneness and remove items one degree below how you would like to enjoy them, as the resting period before carving or consuming will raise the temperature.

Indirect cooking method is a popular alternative to direct heat grilling. Indirect cooking uses heat from adjacent burners to cook food and, in many cases, reduces the possibility of overcooked or overly browned food. Foods most appropriate for indirect grilling included breads, thicker pieces of chicken or steaks. Indirect cooking involves placing the food on grates where the burners below are not lit and then closing the grill top to create an oven effect. All the items you usually oven-roast can be grilled to perfection using indirect heating. Preheat the burners surrounding the food to be cooked. Use your basting pan to hold food and add water or chicken broth to the pan to prevent the natural juices from burning or evaporating.



IMPORTANT!

- **Season your grates before first use and then periodically to protect the grate surface from corrosion, and to stop food sticking. See 'Care and Maintenance'. To season the grates, pour a tablespoon of vegetable oil on a soft cloth and rub on both sides of the grates. Only a light coating is needed and some smoke may be visible during the preheating.**
- **Grilling requires high heat for searing and proper browning. Most foods are cooked at the "MEDIUM" to "LOW" heat setting for the entire cooking time. However, when grilling large pieces of meat or poultry, it may be necessary to turn the heat to a lower setting after the initial browning. This cooks the food through without burning the outside. Foods cooked for a long time or basted with a sugary marinade may need a lower heat setting near the end of the cooking time.**

USING THE GRILL

Grilling

- ① Ensure that the drip pan and grease tray are in place.
- ② Light the grill burners following the lighting instructions.
- ③ Once you have verified the burners are lit, put the hood down to preheat for five to 10 minutes.
- ④ Place the food on the grill and cook to the desired doneness. Adjust heat setting, if necessary. The control knob may be set to any position between “SEAR” and “LOW”.
- ⑤ When you have finished using the grill, turn the control knobs to “OFF” and shut off the main gas supply.
- ⑥ Allow the grill to cool and clean the grates, drip pan and grease tray after each use.

Note: if using LP gas, your preheat time may be shorter than recommended. To prevent overcooking or burning, you may want to lower the heat settings.



Using the temperature gauge

When preheating the grill, use the temperature gauge in the hood to check if the grill has reached the desired heat setting.

Note: the temperature gauge only indicates air temperature inside the grill. For food safety and optimal cooking performance, use a meat probe to check the temperature of meat while cooking and to ensure desired internal temperatures are reached.

Dual-sided grates

Whether you or your guests crave seafood, steak or veggies, the double-sided grates provide varying surfaces for varying textures. The “W”-shaped side creates nice sear lines for steaks, chicken and chops and routes oil and grease away from the food. The opposite “radius” side offers more surface area for support and handling of delicate items like scallops (see below for a sample list of which foods to cook on which side of the grate).

"W" SHAPED GRATE		RADIUS GRATE	
• Chicken (bone-in and boneless cuts)		• Delicate fish fillets	
• Steaks		• Lobster meat	
• Chops		• Shrimp	
• Burgers		• Scallops	
• Ribs		• Clams	
• Kabobs		• Mussels	
• Steak cuts of fish like tuna and swordfish		• Suckling pig	
• Whole fish		• Turkey legs	
• Game		• Indirect cooking and smoking	
• Oysters		• Potatoes	
• Large slices of whole vegetables		• Smaller vegetables or slices	
• Fruit		• Roasted peppers	
• Bread		• Roasted whole garlic	
• Sausages		• Pizza dough and flat breads	
• Hot dogs		• Crab cakes	

Grilling hints

The doneness of meat, whether rare, medium or well done, can depend on the thickness of the cut. The cooking time of meat is dependent on the kind of meat, size, shape and cut along with the temperature of the meat when cooking begins. Expert chefs say it is impossible to have a rare doneness with a thin cut of meat. When defrosting meats, it is recommended to defrost overnight in a refrigerator as opposed to a microwave. This will ensure meat retains its juices. Use a spatula instead of tongs or a fork to turn the meat, as a spatula will not puncture the meat and let the juices run out. To get the juiciest meats, add seasoning or salt after the cooking is finished and turn the meat only once (juices are lost when the meat is turned several times). Turn the meat just after the juices begin to bubble to the surface. Trim any excess fat from the meat before cooking. To prevent steaks or chops from curling during cooking, slit the fat around the edges at two-inch intervals.

The cuts, temperatures, weights and grilling times in the following charts are meant to serve as a guideline. Environmental factors such as wind, outside temperature and altitude can affect cooking times, so should be taken into consideration. The USDA's definition of medium doneness is used for the cooking times of beef and lamb, unless otherwise stated. Before carving, let roasts and other large cuts of meat (including thick steaks) rest for 5 to 10 minutes after cooking. The internal temperature will increase slightly during this time.

For indirect cooking, we suggest placing the meat in the secondary cooking area in the lower or upper position depending on size and desired temperature.

Cooking Chart - Main Grill

BEEF:

FOOD TYPE		THICKNESS	WEIGHT	METHOD	TEMP CONTROL DIAL	APPROX TIME (HRS/MINS)
Steak	New York Strip	1" Thick		Direct	High Heat	4-8 min
	Porterhouse	1" Thick		Direct	High Heat	6-8 min
	Rib-Eye	1" Thick		Direct	High Heat	6-8 min
	T-Bone	1" Thick		Direct	High Heat	6-8 min
Ground Beef Patty			5 oz	Direct	Low-Medium Heat	10-14 min
Fajitas		3/4" Thick	3 lb	Direct	Low-Medium Heat	20 min
Finger Rib			2 lb	Direct/Indirect	Low-Medium Heat	1-2 hours
Brisket			3-5 lb	Direct/Indirect	Low Heat	2-3 hours

LAMB:

FOOD TYPE		THICKNESS	WEIGHT	METHOD	TEMP CONTROL DIAL	APPROX TIME (HRS/MINS)
Chop		1" Thick		Direct	High Heat	4-8 min
Leg of Lamb Roast			3-7 lb	Direct/Indirect	Low	2-3 hours
Rack of Lamb			1-2 lb	Direct/Indirect	Low-Medium Heat	15-20 min

PORK:

FOOD TYPE		THICKNESS	WEIGHT	METHOD	TEMP CONTROL DIAL	APPROX TIME (HRS/MINS)
Hot Dog			2-4 oz	Direct/Indirect	Low Heat	5 min
Bratwurst			4 oz Link	Direct/Indirect	Low Heat	10-15 min
Ribs: Baby Back			3-5 lb	Direct/Indirect	Low Heat	3-4 hours
Spare Ribs			3-5 lb	Direct/Indirect	Low Heat	4-6 hours
Boston Butt/Shoulder			3-7 lb	Direct/Indirect	Low Heat	4-6 hours

USING THE GRILL

Grilling

Cooking Chart - Main Grill

POULTRY:

FOOD TYPE		THICKNESS	WEIGHT	METHOD	TEMP CONTROL DIAL	APPROX TIME (HRS/MINS)
Chicken Breast	Boneless		6 -7 oz	Direct/Indirect	Low-Medium Heat	10-12 min
Chicken Thigh	Boneless		3-5 oz	Direct/Indirect	Low-Medium Heat	10-12 min
Chicken Whole			3-5 lb	Indirect/Rotisserie	Medium Heat	1-2 hours
Duck Whole			3-5 lb	Indirect/Rotisserie	Medium Heat	1-2 hours
Turkey Whole			10-12 lb	Indirect/Rotisserie	Medium Heat	2-3 hours

SEAFOOD:

FOOD TYPE		THICKNESS	WEIGHT	METHOD	TEMP CONTROL DIAL	APPROX TIME (HRS/MINS)
Fish Fillet/Steak:	Halibut	½ -1" Thick		Direct	Medium Heat	6-10 min
	Snapper	½ -1" Thick		Direct	Medium Heat	6-10 min
	Salmon	½ -1" Thick		Direct	Medium Heat	6-10 min
	Sea Bass	½ -1" Thick		Direct	Medium Heat	6-10 min
	Swordfish	½ -1" Thick		Direct	Medium Heat	6-10 min
	Tuna	½ -1" Thick		Direct	Medium Heat	6-10 min
	Trout	½ -1" Thick		Direct	Medium Heat	6-10 min
Shrimp			2-4 oz	Direct	Medium Heat	4-5 min
Fish Whole			3-5 lb	Indirect	Low-Medium Heat	20-30 min

VEGETABLES:

FOOD TYPE		THICKNESS	WEIGHT	METHOD	TEMP CONTROL DIAL	APPROX TIME (HRS/MINS)
Aubergine		1" Thick Slices		Direct	Low Heat	4-6 min
Asparagus		½" Stem Diameter		Direct	Low Heat	4-6 min
Corn on the Cob		Whole		Direct/Indirect	Low Heat	20-25 min
Mushroom - Portobello		Whole		Direct	Low Heat	8-10 min
Onion		½" Thick Slices		Direct	Low Heat	10-12 min
Peppers		Halved		Direct	Low Heat	8-10 min
Potato		½" Thick Slices		Direct	Low Heat	10-15 min
Tomato		Halved		Direct	Low Heat	4-6 min
Zucchini		1" Thick Slices		Direct	Low Heat	4-6 min
Sweet Potato		1" Thick Slices		Direct	Low Heat	10-12 min

FRUIT:

FOOD TYPE		THICKNESS	WEIGHT	METHOD	TEMP CONTROL DIAL	APPROX TIME (HRS/MINS)
Bananas		Halved		Direct	Low Heat	5-6 min
Peaches		Halved		Direct	Low Heat	6-8 min
Apricots		Halved		Direct	Low Heat	6-8 min
Nectarines		Halved		Direct	Low Heat	6-8 min
Pineapple		½" Thick Slices		Direct	Low Heat	5-6 min

* Slow cooking of some meat cuts may require surfaces to be seared over direct high heat prior to indirect cooking.

Grilling

Cooking Chart - Smoking

BEEF:

FOOD TYPE	THICKNESS	WEIGHT	METHOD	TEMP CONTROL DIAL	APPROX TIME (HRS/MINS)
Brisket		4-6 lb	Indirect	Low Heat	6-8 hours

LAMB:

FOOD TYPE	THICKNESS	WEIGHT	METHOD	TEMP CONTROL DIAL	APPROX TIME (HRS/MINS)
Leg of Lamb Roast		3-7 lb	Direct/Indirect	Low Heat	2-3 hours

PORK:

FOOD TYPE	THICKNESS	WEIGHT	METHOD	TEMP CONTROL DIAL	APPROX TIME (HRS/MINS)
Ribs: Baby Back		3-5 lb	Indirect	Low Heat	4-5 hours
Spare Ribs		3-5 lb	Indirect	Low Heat	5-6 hours
Boston Butt/Shoulder		3-7 lb	Indirect	Low Heat	6-8 hours

POULTRY:

FOOD TYPE	THICKNESS	WEIGHT	METHOD	TEMP CONTROL DIAL	APPROX TIME (HRS/MINS)
Chicken Whole		3-5 lb	Indirect	Low Heat	2-4 hours
Duck Whole		3-5 lb	Indirect	Low Heat	2-4 hours
Turkey Whole		10-12 lb	Indirect	Low Heat	8-10 hours

SEAFOOD:

FOOD TYPE	THICKNESS	WEIGHT	METHOD	TEMP CONTROL DIAL	APPROX TIME (HRS/MINS)
Fish Fillet/Steak:	Salmon	½ -1" Thick	Indirect	Low Heat	1 hour
	Swordfish	½ -1" Thick	Indirect	Low Heat	1 hour
	Tuna	½ -1" Thick	Indirect	Low Heat	1 hour
	Trout	½ -1" Thick	Indirect	Low Heat	1 hour
	Mackerel	½ -1" Thick	Indirect	Low Heat	1 hour
Shrimp		2-4 oz	Indirect	Low Heat	1 hour
Fish Whole		3-5 lb	Indirect	Low Heat	3-4 hours

VEGETABLES:

FOOD TYPE	THICKNESS	WEIGHT	METHOD	TEMP CONTROL DIAL	APPROX TIME (HRS/MINS)
Aubergine	1" Thick Slices		Indirect	Low Heat	1 hour
Corn on the Cob	Whole		Indirect	Low Heat	1 ½ hours
Mushroom - Portobello	Whole		Indirect	Low Heat	1 ½ hours
Onion	Whole/halved		Indirect	Low Heat	2 hours
Peppers	Whole/halved		Indirect	Low Heat	1 ½ hours
Potato	Whole/halved		Indirect	Low Heat	2 hours
Tomato	Whole/halved		Indirect	Low Heat	45 minutes
Zucchini	Halved lengthwise		Indirect	Low Heat	1 hour
Sweet Potato	Whole/halved		Indirect	Low Heat	2 hours

Grilling

Meat Temperatures

The “Remove” temperature on the left is the target temperature to remove from heat source. The “Ideal” temperature on the right is the ideal internal temperature after resting. These temperatures are all Fahrenheit. Note, these are not USDA Recommendations. The USDA temperatures are conservatively 10° - 15° higher because of food safety however most professional chefs will not cook a medium-rare steak to 150°F.

FOOD TYPE	RARE		MEDIUM-RARE		MEDIUM		MEDIUM-WELL	
	REMOVE	IDEAL	REMOVE	IDEAL	REMOVE	IDEAL	REMOVE	IDEAL
Beef Steaks	125°	130°	130°	135°	140°	145°	155°	160°
Beef Roasts	120°	125°	125°	130°	135°	145°	150°	160°
Lamb Chops	125°	130°	130°	135°	135°	145°	155°	160°
Lamb Roast	120°	130°	125°	130°	135°	145°	150°	160°
Pork Chops			125°	130°	135°	140°	145°	150°
Pork Roasts			125°	130°	135°	140°	145°	150°
Veal Chops			130°	135°	140°	145°	155°	160°
Veal Roasts			125°	130°	135°	145°	150°	160°

FOOD TYPE	RESTING TIME	REMOVE	IDEAL INTERNAL TEMPERATURE
Whole Chicken - Roasted	5 minutes	160° - 165°	165° - 170°
Whole Turkey - Roasted*	20-60 minutes	150° - 170°	165° - 170°

* A large Turkey can take 60 minutes of resting with a temperature shift of 20° or more

The smoker system on each grill consists of a stainless steel slide out tray which is positioned above a 3,500 Btu/hr or 3.7 MJ/h burner. The burner is controlled by a precision brass valve which is capable of being turned down to very low heat levels. The system may be used alone for low temperature roasting and smoking or in conjunction with any combination of other burners. When using the smoker system in conjunction with the optional infrared rotisserie burner, you'll find it helpful to use the low setting of the smoker burner to minimize the heat rising up to the rotisserie basting pan. Staggering the meat away from the smoker burner also helps.

To minimize burn potential do not completely remove the smoker tray when hot.

To light the smoker burner

Open the lid and remove the smoker tray. Locate the burner visually by looking through the cut-out in the valve panel. Push in the burner knob and turn to the "HI" position until the burner is lit. If the burner doesn't ignite, wait five minutes for any accumulated gas to dissipate, then try again. If the burner will not light after several attempts, wait five minutes, then match light using a paper book match through the cut-out in the valve panel. Once lit, fill the smoker tray and replace.

Wood chips

There are many wood chips available for purchase and selection is based on personal taste. The most common wood chips used are mesquite or hickory. Mesquite has a sweeter taste and is commonly used with poultry and seafood. Hickory is best suited for red meats. Use of oak, cherry, maple, aspen or apple is also common while aromatic herbs like sage, bay leaves, thyme or basil may also be used. Soaking the chips in water before using them will help ensure the wood chips smoke and do not flame up. To start, you may want to use the "HI" position to start the chips smoking, then reduce the heat to a lower level to prevent them from drying out and flaming. If the wood chips do flame up, add a small amount of water to extinguish the flame. This should be done carefully through the top in the grill area, or by pulling the tray out slightly. Use caution when adding water to a hot tray to avoid steam burns, and never completely remove a hot tray. When smoking, the lid should remain closed as much as possible to maximize the effect. During extended roasting periods it is normal to add fresh wood chips to the tray several times.

Your smoker tray comes with a removable smoker lid. For best results we recommend using the smoker lid.

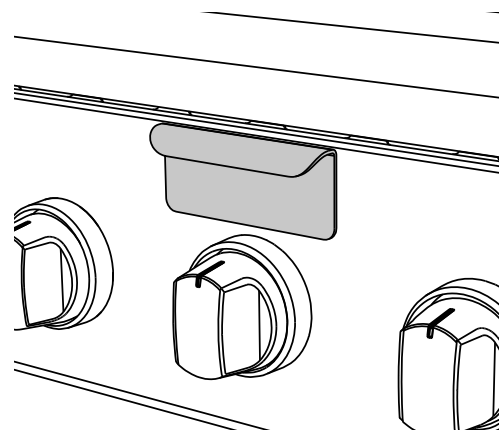


FIG. 18

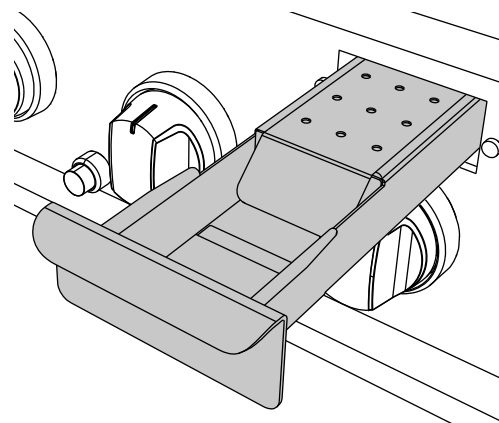


FIG. 19

USING THE ROTISSERIE

The grill rotisserie system is designed to cook items from the back using infrared heat. The location of the burner allows the placement of the rotisserie basting pan (included) beneath the food to collect juices and drippings for basting and gravy. To flavor the contents of the basting pan, you can add herbs, onion, garlic, or spices. Hams are especially good with the addition of pineapple slices and brown sugar to the basting pan. The rotisserie burner is an infrared type which provides intense searing radiant heat. Preferred by chefs over other methods, this intense heat is magnificent for searing in the natural juices and nutrients found in quality cuts of meat.

Once lit, the rotisserie burner will reach cooking temperatures in about one minute. The orange/red glow will even out in about five minutes. The rotisserie motor is equipped with metal gears and is capable of turning up to a 50 lb. cut of meat or poultry. The rotisserie motor on the grills is secured down to a cast rotisserie block with two black screw-down knobs. The rotisserie block is in turn bolted to the right side panel. The rod for the rotisserie is assembled into the motor assembly by placing the pointed end into the motor, and resting the handle end on the support at the left side of the grill. With the rod pushed as far as possible into the motor, the round end of the rod should rest on the rollers.

The motor is equipped with a halogen bulb to provide light when other sources of light are not sufficient. Use only a 50W (or its equivalent) Max. Halogen Narrow Flood replacement bulb.

IMPORTANT!

Halogen lamps are constructed of a glass bulb with a pressurized internal filament tube that operates at high temperatures and could unexpectedly shatter. Should the outer bulb break, particles of extremely hot glass could be discharged into the fixture enclosure and/or surrounding environment, thereby creating a risk of personal injury or fire. When replacing the bulb, let the bulb cool, and assure that power to the light has been turned off. Never allow the hot bulb to come into contact with water. DO NOT TOUCH the light bulb when in use. It may be hot enough to cause injury.

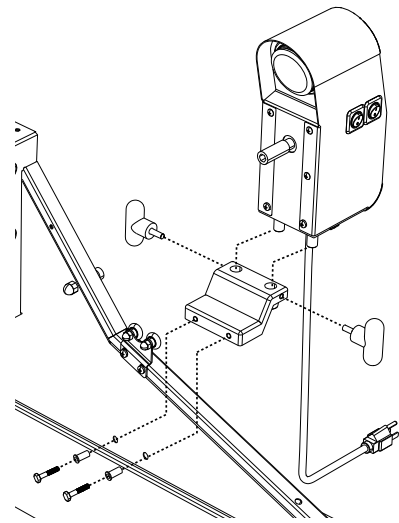


FIG. 20

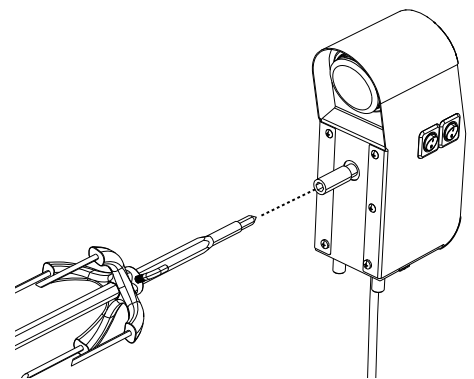


FIG. 21

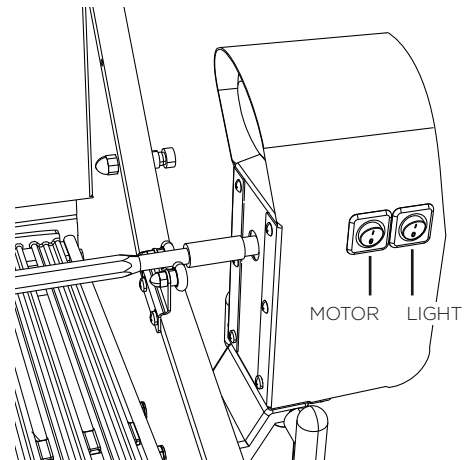


FIG. 22

IMPORTANT!

Do not use the grill burners when the rotisserie burner is on. It will burn your meat and make it very dry. Use only one section at a time, grill or rotisserie.

Preparation

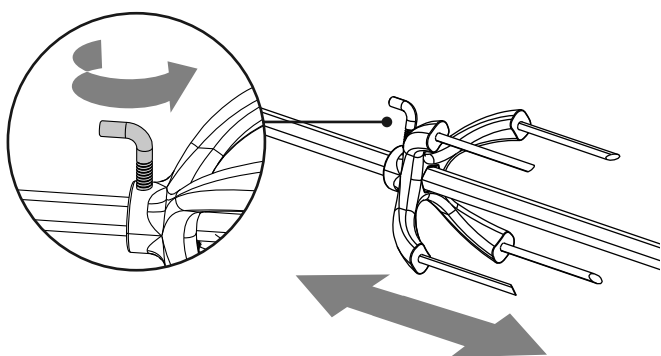
Recommended: dental floss or butcher string, scissors, broiler pan (bottom only), pliers, meat probe, foil, and hot pads.

Working area

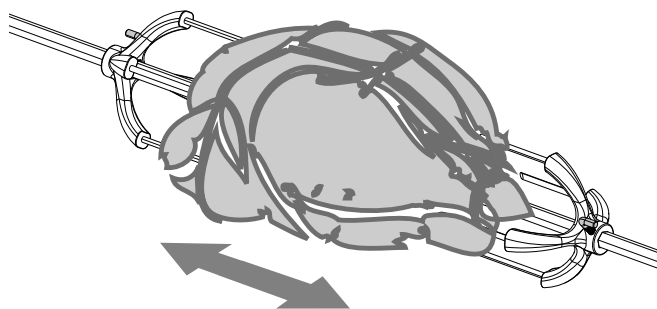
Allow enough space to accommodate food and rotisserie rod assembly in a clean environment.

Meat preparation

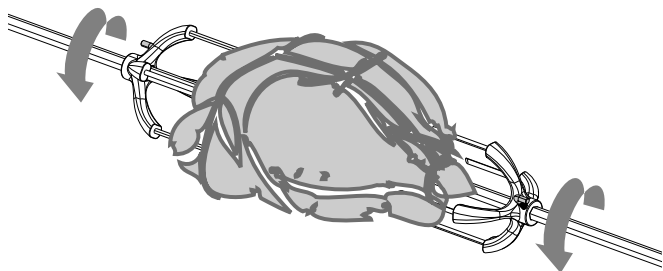
Tie meat with butcher string or dental floss in three areas. Purchase a roast that is equally balanced from top to bottom in size to ensure meat will cook evenly while on the rotisserie. For poultry, tie wings and legs to the body using dental floss or butcher string to prevent flopping around while turning.



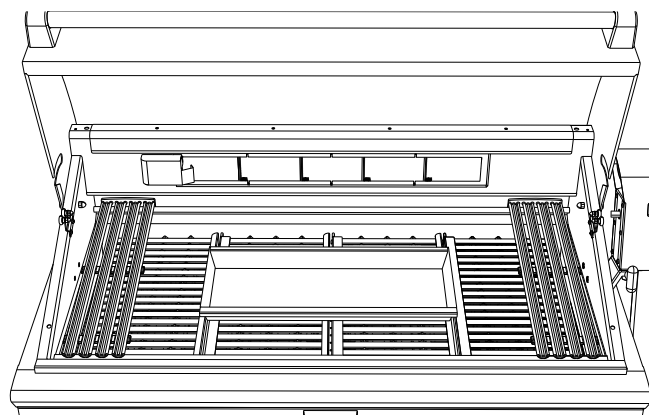
- 1 Determine the center placement for the food, put first prong on the rod, turn "L"-shaped screw to tighten.



- 2 Center tied meat/poultry on the rod, place second prong, turn "L"-shaped screw to tighten.



- 3 Pick up the rod, rotate it to check for balance. If unbalanced, adjust prongs and food. Take pliers and tighten the "L"-shaped screws on both prongs.



- 4 Remove grates and top rack on the grill. Place bottom portion of basting pan on ceramic rods so meat drippings can be caught in pan.

USING THE ROTISSERIE

To light the rotisserie burner before cooking

The location of the rotisserie burner makes it more susceptible to strong wind conditions, more so than the protected grill burners. For this reason you should avoid operating the rotisserie during windy conditions. As an added safety feature we've equipped the burner with an automatic safety valve which will not allow gas to flow to the rotisserie burner unless the following conditions are present with the knob on:

- ① The safety valve button is pressed, and held down.
- ② The safety valve thermocouple has been sufficiently heated to keep safety valve open.

Open the lid. Push in and hold the burner knob. You'll hear a snapping sound. Turn the burner knob to "HI". Engage the safety valve button and continue to hold until the burner is lit. Once lit, turn burner knob to desired setting. If the burner does not light within four to five seconds, release the safety valve button and turn the burner knob to "OFF" and wait five minutes before trying again.

- If relighting a hot burner, wait five minutes.
- Never leave the control knob on if rotisserie is not in use.
- Never light the grill burners under the rotisserie while the rear rotisserie burner is lit.

Manual lighting

To manually light the rotisserie, place a butane lighter near the tip of the thermocouple as shown in Fig. 23. Turn the burner knob to "HI". Hold the safety valve button in for about four to five seconds or until the burner remains lit. Once lit, turn burner knob to desired setting. If the burner does not light within four or five seconds, release the safety valve button and turn the burner knob to "OFF" and wait five minutes before trying again.

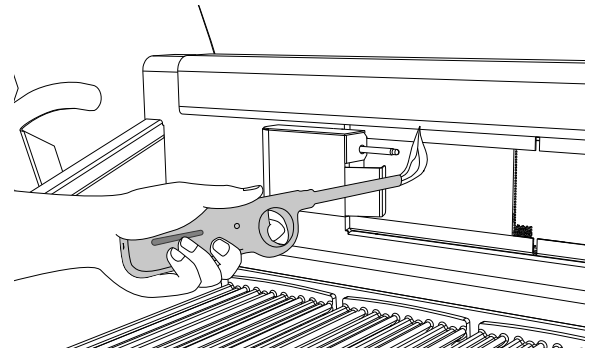


FIG. 23

IMPORTANT!

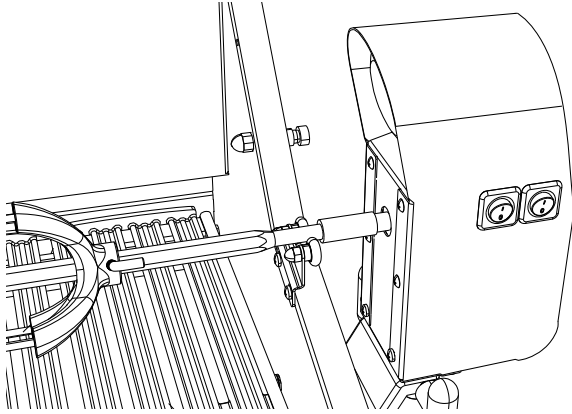
Keep hands and face away from front of burner! Stand to the side when lighting. Once lit move hand away quickly.

IMPORTANT!

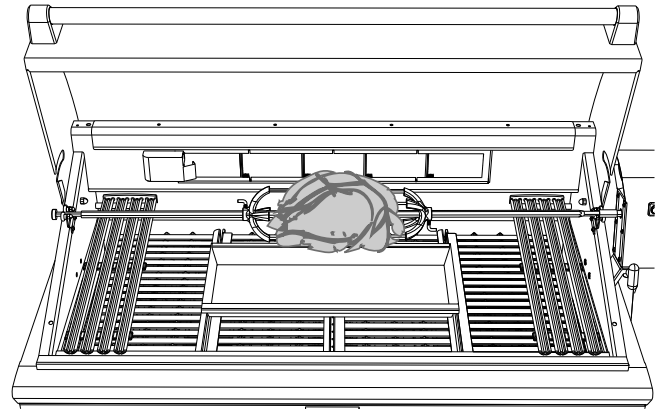
Electrical Grounding Instructions: this appliance (rotisserie motor) is equipped with a three-prong (grounding) plug for your protection against shock hazard and should be plugged directly into a properly grounded three-prong receptacle or a three-prong grounded extension cord rated for the power of the rotisserie motor and approved for outdoor use with a W-A marking. Do not cut or remove the grounding prong from this plug. Use only a ground fault interrupter (GFI) protected circuit.

The rotisserie motor must be electrically grounded in accordance with local codes or, in the absence of local codes, with the National Electrical Code, ANSI/NFPA 70. Keep the rotisserie motor electric cord away from the heated surfaces of the grill. When not in use, remove and store the motor in a dry location. To protect against electric shock, do not immerse the cord or plug in water or other liquid. Unplug rotisserie unit from the outlet when not in use and before cleaning. Allow the rotisserie to cool before putting on or taking off parts.

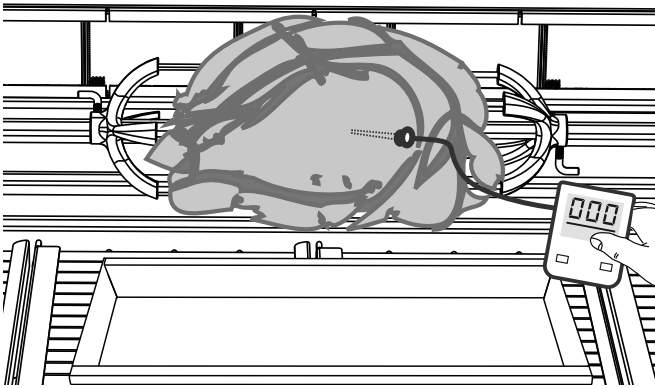
Cooking on the rotisserie



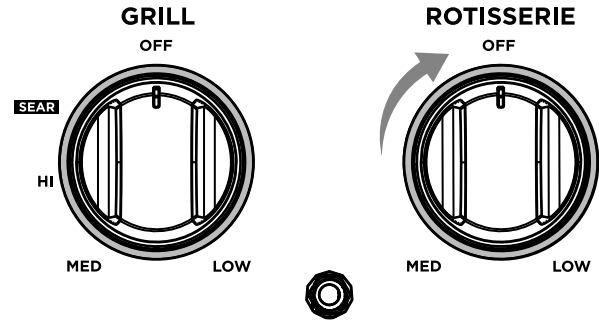
- ① Place prepared rod into motor, lay across and into the rollers on other side.



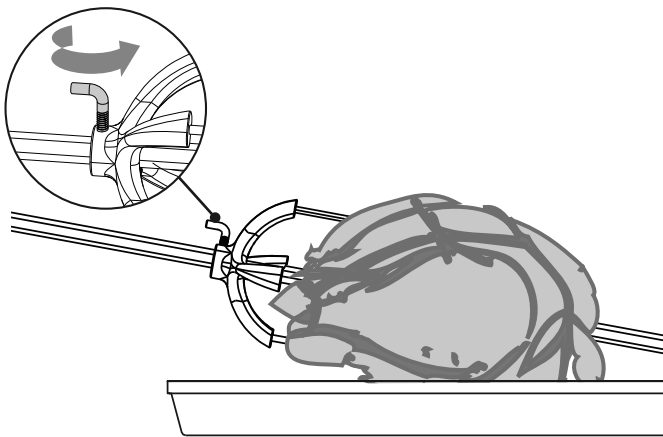
- ② Once placement has been verified, ignite burner and start rotisserie motor. Turn the burner knob to the desired setting.



- ③ To check temperature of the meat, turn off motor and turn temperature to low while using a meat probe.



- ④ Once finished, turn the motor and rotisserie knob to "OFF". If you have finished using the appliance altogether, turn the main gas supply off too.



- ⑤ Remove the rod and place meat or poultry on pan then remove prongs. Take care as the rod will be hot.

IMPORTANT!

The prongs are very sharp. Keep hands away from tips when removing the food.

Note: cover with foil for a 15 to 20 minute waiting time. Meat will carve better and juices will go back into the meat.

CARE AND MAINTENANCE

Ignition battery replacement

IMPORTANT!

Battery condition should be checked at least once a year.

- ① Remove drip pan.
- ② Open cart door (on cart model only).
- ③ Pull battery downwards (this may require use of pliers).
- ④ Re-install upward and push to snap (polarity shown in Fig. 24).

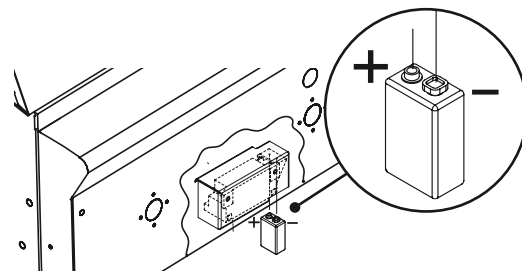


FIG. 24

Regulator and hose replacement

The pressure regulator and hose assembly supplied with the unit must be used. If replacements are needed, contact Customer Care at www.dcsappliances.com. Do not use the grill if the odor of gas is present. If the unit is LP, screw the regulator into the tank and leak check the hose and regulator connections with a soap and water solution before operating the grill. Turn all knobs to "OFF" then turn on the gas supply. If LP, check that there is gas in the tank.

IMPORTANT!

- **Always keep your face and body as far away from the grill as possible when lighting.**
- **DO NOT leave the grill unattended while cooking.**
- **Keep a spray bottle of soapy water near the gas supply valve and check connections before each use.**
- **Do not attempt to light the grill if the odor of gas is present.**
- **Wait five minutes before relighting a hot grill.**

Grill grates

Method 1

Turn on "HI" for 15-20 minutes to burn any remaining food particles. After turning the grill "OFF", use a bristle barbecue brush to remove any remaining food particles or ash.

Method 2

The easiest way to clean the grill is immediately after cooking is completed and after turning off the flame. Wear a barbecue mitt to protect your hand from the heat and steam. Dip a soft brass bristle barbecue brush in a mixture of 2 cups of tap water and 1/2 cup of vinegar and scrub the hot grill. Dip the brush frequently in the bowl of water and vinegar. Steam, created as water contacts the hot grill, assists the cleaning process by softening any food particles. The food particles will fall onto the ceramic rods and burn or fall into the drip pan. If the grill is allowed to cool before cleaning, cleaning will be more difficult.

Method 3

Take about 1 foot of aluminum foil, crumpled up in a ball and rub it over cooled grates to release food particles.

Note: grill grates must be re-seasoned after cleaning to prevent rust stains.

Drip pan and grease tray

The full width drip pan with grease tray will collect grease from the grill section and boil overs and spills from the side burners. Allow the pan and its contents to cool before attempting to clean. Clean grease from the pan often to avoid the possibility of a grease fire.

Ceramic rods

It is not necessary to remove the ceramic rods for cleaning. They burn themselves clean during the next cooking operation. Periodically the trays holding the ceramic rods need to be turned over, and shaken free of debris for a thorough cleaning. How often you use the grill and the amount and type of food cooked will determine when it is necessary to clean the trays. If grease can be seen on the top of the tubes or if you get a lot of flare-up during cooking, the tubes need to be turned over and heated on "HI" for 30 minutes; longer for heavy soil.

Stainless steel

The grill is made from non-rusting and non-magnetic stainless steel. After initial usage, areas of the grill may discolor from the intense heat given off by the burners, this is normal. There are many different stainless steel cleaners available. Always use the mildest cleaning procedure first, scrubbing in the direction of the grain. To touch up noticeable scratches in the stainless steel, sand very lightly with wet 100 grit emery paper in the direction of the grain. Specks of grease can gather on the surfaces of the stainless steel and bake on to the surface and give the appearance of rust. For removal use an abrasive pad (Scotch Brite is good) in conjunction with a stainless steel cleaner. Always rub in the direction of the grain.

Note: stainless steel tends to corrode in presence of chlorides and sulfides especially in coastal areas. To ensure corrosion prevention, wash all stainless steel surfaces every three to four weeks with fresh water and stainless cleaner. Keep grill covered when not in use.

Electrodes

Wipe with a water dampened cotton swab. Be careful not to damage the electrode (see Fig. 25).

To remove the U-Burners for Cleaning

Ensure gas supply has been turned off. Remove the grill grates, then lift out the grill radiant tray. Grip the U-burner as shown in the photo (Fig. 27) and press downwards with your thumbs on the bracket in the back while lifting up on the U-Burner. In some cases it may be necessary to use a screw driver to pry open the slot to release the U-burner (Fig. 26). Pull it up and slightly to the rear of the unit so the burner air shutter head comes off the brass orifice at the front, angle the burner sideways, and remove. After cleaning, when re-installing the U-Burner ensure the U-Burner is completely level and locked in place. This is needed to ensure your grill provides even cooking performance.

Grill burner cleaning

Clean the exterior of the burner with a stainless steel wire brush. Clear stubborn scale with a metal scraper. Clear any clogged ports with a straightened paper clip. Never use a wooden toothpick as it may break off and clog the port. Shake out any debris through the air shutter. Use a flashlight to inspect the burner inlet to ensure it is not blocked. If obstructions can be seen, use a metal wire coat hanger that has been straightened (See Fig. 28).

Orifice cleaning

With the burner removed, remove the orifice and shine a flashlight through the opening to ensure there is no blockage. Use a needle to clear any debris. Be extremely careful not to enlarge the hole or break off the needle.

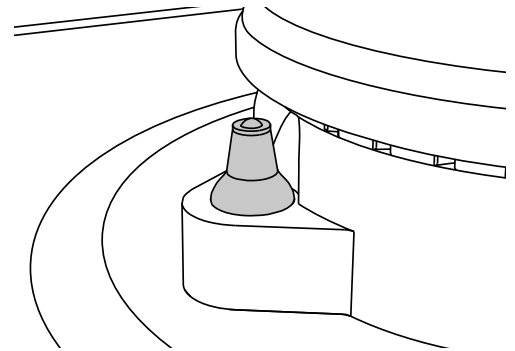


Fig. 25

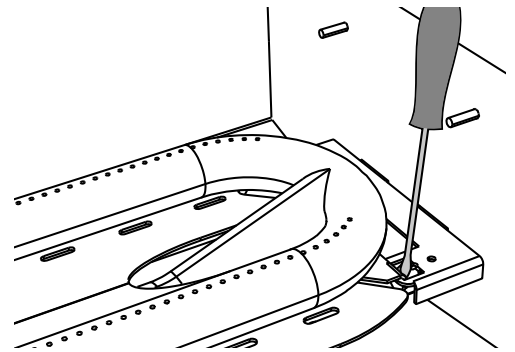


Fig. 26

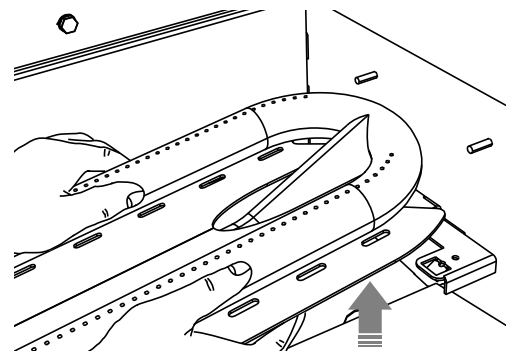


Fig. 27

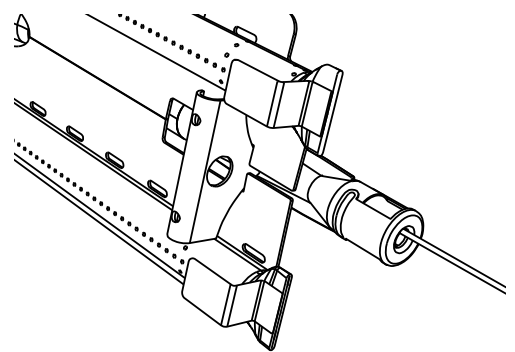


Fig. 28

Burner alignment

IMPORTANT!

Center the burner onto the orifice properly before lighting the grill to prevent fire hazard or explosion.

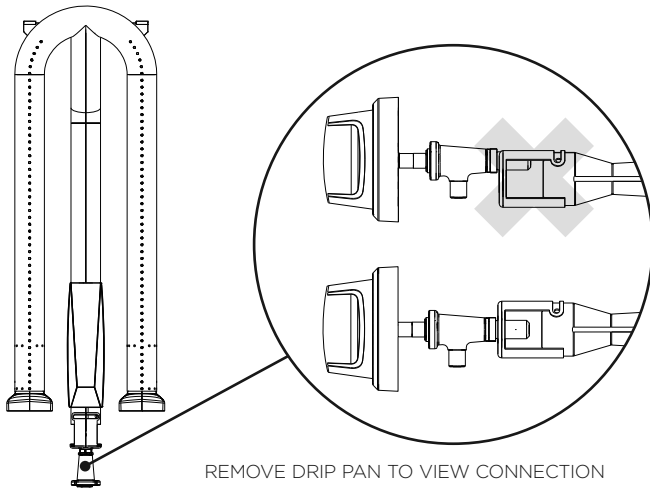


Fig. 29

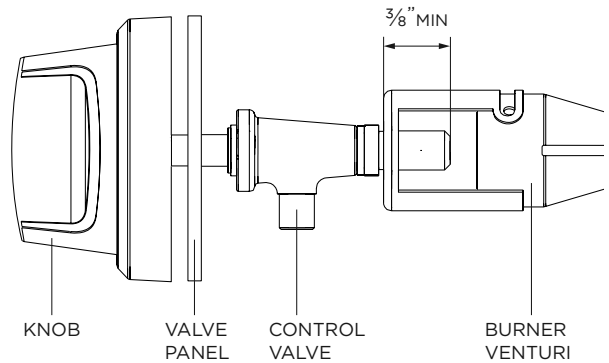


Fig. 30

Be careful not to misalign the air shutters' original position (unless readjusting). Lower the rear of the burner into the cutouts on the support channel at the rear of the burner box. Make sure it is level and does not rock. Light all of the burners and check that the flame is blue, stable and even. If adjustments are necessary, refer to page 18. Complete these adjustments prior to cooking.

Side burners (BH1-48RS model)

For proper lighting and performance keep the burners clean. It is necessary to clean the burners if they do not light even though the electrode clicks, if there has been a severe boil over, or when the flame does not burn blue. Be certain all control knobs are in the off position before attempting to clean the burners. The burners have been designed for ease in cleaning. When the grates and burners are cool, remove the grate. The burner cap and the brass port ring can easily be lifted off. Wash these parts in hot soapy water, rinse and dry thoroughly. The burner caps are porcelain enamel. A bristle brush can be used to clean out the toothed burner ports, if necessary. After cleaning, it is important to make sure the location pins on the bottom side of the port ring are properly aligned with the corresponding holes in the base. Incorrect alignment will produce a potentially dangerous flame and poor burner performance (see Fig. 31).

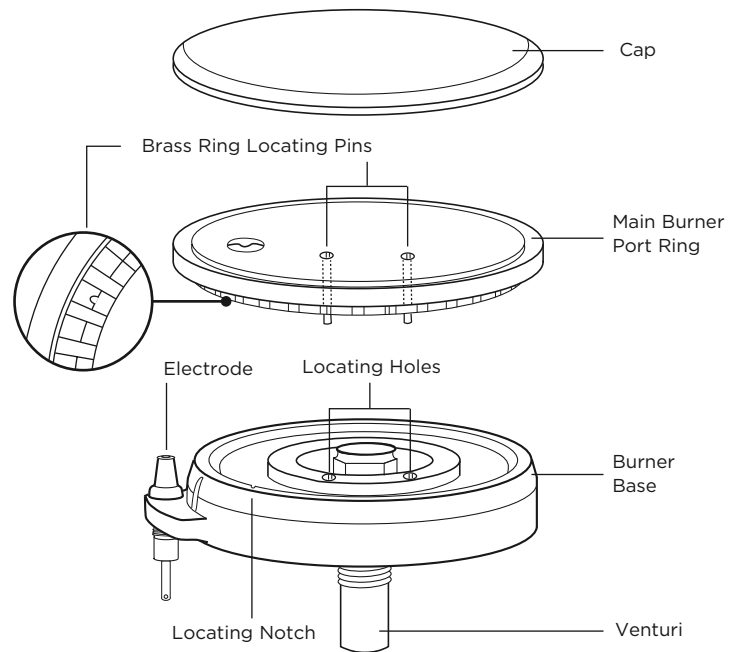


FIG. 31

Smoker burner

The smoker burner can be removed and cleaned by unplugging the electrode wire and lifting out the burner. Cleaning is similar to the grill burner. Replace the burner by sliding the air shutter over the brass orifice, centering it in the hole.

Before calling for service

If the grill does not function properly, use the following checklist before contacting your dealer for service. You may save the cost of a service call. Troubleshooting is for general purposes only. If the problem persists and you feel you require service, contact your dealer or the nearest authorized agency to perform service. Only authorized agencies can perform warranty service. Contact DCS at www.dcsappliances.com

PROBLEM	WHAT TO DO
Grill won't light when the burner knob is pushed.	<ul style="list-style-type: none"> • Check the gas supply is on. • Ensure the grill is cool. Remove the grill top grates and the ceramic radiant trays, watch the electrode tip. You should see a spark jump from the tip of the ignition when the burner knob is pushed in. • If there is no spark when burner knob is pushed in, check the battery condition. Battery condition should be checked at least once a year. • Attempt to match light the burner (see page 21, 22 & 32). Check to see that other burners on the unit operate. Clean electrode tip of any debris.
Burner flame is yellow or orange, in conjunction with the odor of gas.	<ul style="list-style-type: none"> • Check the burner inlet for obstructions such as spider webs. Check the air shutter for proper adjustment. • Grill may be in a dusty area. Move to less dusty area if possible.
Low heat with knob in "HI/SEAR" position.	<ul style="list-style-type: none"> • If only one of the burners appears low, clean the orifice and burner, clearing ports of any obstruction (see page 35). • Grill may be in a dusty area. Move to less dusty area if possible. • Check for proper gas supply and pressure. • Pre-heat grill for a full 15 minutes. • If using LP gas, check for empty tank.
Rotisserie won't light.	<ul style="list-style-type: none"> • Check the gas supply is on. • Check there is a spark at the electrode. • Check the rotisserie burner lights when attempting to light with a butane lighter.
Rotisserie lights, but will not hold flame once button is released.	<ul style="list-style-type: none"> • Continue holding safety valve button in depressed position until burner remains lit when released.

WARRANTY AND SERVICE

How to obtain service

For warranty service, please contact your local service provider or through our website www.dcsappliances.com. Please have the following information:

- Model number (can be found on the inside, right side panel behind the drip pan handle. See page 20).
- Serial number (can be found on the inside, right side panel behind the drip pan handle. See page 20).
- Code (can be found on the inside, right side panel behind the drip pan handle. See page 20).
- Date of installation.
- A brief description of the problem.

Your satisfaction is of the utmost importance to us. If a problem cannot be resolved to your satisfaction, please write or email us at:

Write

Fisher & Paykel Appliances Inc.
Attention: DCS Customer Care
695 Town Center Drive, Suite 180
Costa Mesa, CA 92626-1902 USA

Email

customer.care@fisherpaykel.com

Complete and keep for safe reference:

Model _____

Serial No. _____

Purchase Date _____

Purchaser _____

Dealer _____

Suburb _____

Town _____

Country _____

⚠ AVERTISSEMENT!

Le fait de ne pas suivre toutes les instructions de ce manuel peut provoquer un incendie ou une explosion causant des dommages matériels, des blessures ou la mort.

Ne rangez et n'utilisez pas de l'essence ou d'autres liquides et vapeurs inflammables à proximité de cet appareil ou de tout autre appareil.

QUE FAIRE SI VOUS DÉCELEZ UNE ODEUR DE GAZ

- Ne tentez d'allumer aucun appareil.
- Ne touchez à aucun interrupteur électrique.
- N'utilisez aucun téléphone dans l'édifice.
- Appelez immédiatement votre fournisseur de gaz en utilisant le téléphone d'un voisin. Suivez les consignes du fournisseur de gaz.
- S'il vous est impossible de joindre votre fournisseur de gaz, appelez le service d'incendie.

L'installation et l'entretien doivent être effectués par un installateur qualifié, un centre d'entretien ou le fournisseur de gaz.

Mesures de sécurité et de précaution	3
Modèles de gril	6
Dimensions du produit	7
Installation	
Emplacement du gril et des dégagements	8
Détails d'une construction intégrée	12
Branchement du gaz	14
Test de détection des fuites	16
Pile d'allumage	17
Réglages des brûleurs	18
Installation de l'ensemble du radiant	19
Liste de contrôle de l'installateur	20
Utilisation du gril	
Instructions d'allumage	21
Cuisson sur gril	23
Utilisation du système a fumoir	29
Utilisation de la rôtissoire	30
Entretien et nettoyage	34
Dépannage	37
Service	38

IMPORTANT!

CONSERVEZ CES INSTRUCTIONS

Les modèles illustrés dans ce guide d'utilisation peuvent ne pas être disponibles dans tous les pays et sont sujets à modifications sans préavis. Pour les plus récentes informations sur la disponibilité des modèles et des caractéristiques dans votre pays, veuillez visiter notre site Web à l'adresse indiquée sur la couverture arrière ou contacter votre détaillant Fisher & Paykel.

À L'INTENTION DE NOS CLIENTS

Nous vous remercions d'avoir choisi ce barbecue de la série DCS Professional BH1. Ce guide d'installation et d'utilisation contient des informations précieuses sur la façon d'installer, d'utiliser et d'entretenir correctement votre nouvel appareil pour des années de cuisson sûre et agréable.

S'il vous plaît remplir et soumettre votre enregistrement de produit en visitant notre site Web à www.dcsappliances.com et en sélectionnant "Support" sur la page d'accueil puis en sélectionnant "Enregistrement du produit".

Pour plus de commodité, vous pouvez répondre aux questions sur les produits auprès d'un représentant du service à la clientèle de DCS à l'adresse www.dcsappliances.com ou par courriel à: customer.care@fisherpaykel.com.

Veuillez écrire le modèle, le code et les numéros de série sur cette page pour référence (se trouve sur le côté intérieur droit, derrière la poignée de la lèchefrite, voir page 20).

NUMÉRO DE MODÈLE _____ CODE _____ NUMÉRO DE SÉRIE _____

IMPORTANT!

Ne pas jeter le matériau d'emballage (boîte, palette, sangles) avant d'avoir inspecté l'unité. Inspecter le produit pour vérifier qu'il n'a pas été endommagé pendant l'expédition. En cas de dommages, contacter le transporteur et entamer une déclaration pour dommage. DCS by Fisher & Paykel n'est en aucun cas responsable des dommages pendant l'expédition.

Pour réduire les risques d'incendie, de décharge électrique, de blessures corporelles ou de dommages lors de l'utilisation de cet appareil, conformez-vous aux consignes de sécurité importantes énumérées ci-dessous:

⚠ AVERTISSEMENT!



Risque de surface brûlante

Les parts accessibles peuvent devenir chaudes pendant l'utilisation.
Ne touchez pas les unités de surface ou les zones proches du grill.
Le capot doit être ouvert avant d'allumer le grill.
Ne laissez jamais des vêtements ou autres matériaux inflammables en contact ou à proximité d'une grille, d'un brûleur ou d'une surface chaude tant qu'ils n'ont pas refroidi. Les tissus peuvent s'enflammer et causer des blessures.
Ne vous penchez jamais au-dessus d'un grill ouvert. Ne faites jamais fonctionner le grill sans un bac à graisse. Lorsque vous allumez un brûleur, faites très attention à ce que vous faites. Assurez-vous de bien enfoncer le bouton d'allumage lorsque vous tentez d'allumer le grill.
Lorsque vous utilisez le grill, évitez de toucher la grille du brûleur ou la zone immédiate car celle-ci devient très chaude et peut causer des brûlures.
La graisse est inflammable. Laissez toute graisse chaude refroidir avant d'essayer de la manipuler. Évitez de laisser la graisse s'accumuler dans le ramasse-gouttes. Nettoyez souvent. Évitez de vous brûler à la vapeur; n'utilisez pas d'éponge ou de chiffon mouillé pour nettoyer le grill quand il est chaud. Certains produits de nettoyage produisent des vapeurs nocives ou peuvent prendre feu s'ils sont appliqués à une surface chaude.
Pour éviter toute brûlure, utilisez des outils de barbecue à manches longs.
Le non-respect de cette consigne peut entraîner des blessures graves.

⚠ AVERTISSEMENT!



Risque d'explosion

Si vous sentez une odeur de gaz, n'utilisez pas l'appareil
Ne vaporisez jamais d'eau sur feux de graisse, une violente explosion de vapeur peut en résulter. Éteignez tous les brûleurs, puis étouffez le feu ou les flammes ou utilisez un extincteur à poudre chimique ou un extincteur à mousse.
Ne chauffez pas de récipients alimentaires non ouverts, tels que des canettes - l'accumulation de pression peut provoquer l'éclatement du récipient.
Le non-respect de cette consigne peut entraîner des blessures ou la mort.

⚠ AVERTISSEMENT!



Risque d'incendie

Ne faites pas fonctionner le grill sous une construction combustible non protégée. Utilisez-le seulement dans un lieu bien aéré. N'utilisez pas l'appareil à l'intérieur de bâtiments, garages, abri, structure couverte ou autres lieux clos. Cet appareil est conçu pour un usage en plein air uniquement.
Ne laissez jamais l'appareil sans surveillance pendant l'utilisation
Si vous possédez une bouteille supplémentaire ne la rangez JAMAIS proximité ou en dessous du grill
Ne remplissez jamais le réservoir au-delà des 3/4
N'entreposez pas de bouteille de gaz pleine à la lumière directe du soleil.
Le non-respect de cette consigne peut entraîner des blessures graves, voire mortelles.

⚠ AVERTISSEMENT!



Risque de choc électrique

Cet appareil (moteur de rôtissoire) est équipé d'une fiche bipolaire avec terre pour vous protéger contre les risques d'électrocution. Elle doit être directement branché dans une prise triphasée correctement mise à la terre ou dans une rallonge triphasée mise à la terre prévu pour la puissance du moteur de la rôtissoire et homologué pour l'usage extérieur marquée W-A. Ne coupez pas ni ne retirez la broche de terre de cette fiche. Le non-respect de cette consigne peut entraîner un choc électrique ou la mort.

CONSIGNES DE SÉCURITÉ IMPORTANTES!

- Ne rangez pas d'objets pouvant intéresser les enfants autour ou en dessous du gril, dans le chariot ou une enceinte de maçonnerie. Ne laissez jamais les enfants ramper à l'intérieur d'un chariot ou d'une enceinte.
- Il ne faut ni attacher ni connecter une bouteille de propane, ni déplacer ni modifier les raccords de gaz lorsque le gril fonctionne ou qu'il est chaud.
- Nettoyez le grill et effectuez un entretien général deux fois par an. Surveillez toute apparition de corrosion, de fissures ou activité d'insectes. Inspectez soigneusement le détendeur, les tuyaux, les têtes de brûleurs, les obturateurs d'air et la section venturi/valve. Fermez toujours le gaz à la source (bouteille ou conduite d'alimentation) avant d'inspecter les pièces.
- Après une période de remisage ou de non utilisation (pendant l'hiver par exemple), le gril au gaz doit être inspecté pour toute présence éventuelle de fuites de gaz, toute détérioration, un bon assemblage et toute obstruction des brûleurs avant utilisation.
- Ouvrez toujours le couvercle du gril d'une main recouverte, en vous y prenant lentement, afin de laisser s'échapper la chaleur et la vapeur.
- N'essayez pas d'allumer cet appareil sans avoir lu la section «INSTRUCTIONS D'ALLUMAGE» de ce manuel (page 21).
- Après avoir allumé les brûleurs, veillez à ce que les brûleurs fonctionnent normalement (voir page 18).
- Évitez de laisser la graisse s'accumuler dans le ramasse-gouttes. Nettoyez souvent.
- N'utilisez pas de papier aluminium pour recouvrir les ramasse-gouttes ou les grilles du gril ou les radiants. Ceci peut sérieusement affecter le débit d'air de combustion ou retenir une quantité excessive de chaleur dans la zone de contrôle. Cela peut faire fondre les boutons ou les boutons d'allumage.
- Ne pas faire fonctionner avec un cordon ou une fiche endommagés ou après les défauts de fonctionnement ou si l'appareil est endommagé de toute façon. Contactez le fabricant pour la réparation.
- Ne laissez pas le cordon de la rôtissoire pendre par-dessus le bord d'une table ou toucher des surfaces chaudes.
- N'utilisez pas un appareil de cuisson extérieur pour des buts autres que prévu.
- Pour assurer votre propre sécurité, habillez-vous de façon appropriée. Ne portez jamais de vêtements ou de manches lâches lorsque vous utilisez cet appareil. Certains tissus synthétiques sont extrêmement inflammables et ne doivent pas être portés pendant la cuisson. Seuls certains types d'ustensiles en verre, vitrocéramique calorifugée, poterie ou émaillés sont appropriés pour être utilisés avec un gril. Ces matériaux peuvent se briser à la suite de changements de température subits. Utilisez-les seulement à feu doux ou moyen selon les instructions du fabricant.
- Les araignées et insectes peuvent faire leur nid dans les brûleurs du gril, empêchant ainsi le gaz de s'écouler au travers du brûleur. Le gaz circulera de l'avant du brûleur dans le tableau de commande. Ceci est très dangereux et peut provoquer un feu derrière le panneau des valves, ce qui endommagerait les composants du gril et rendrait son utilisation dangereuse.
- Gardez la zone entourant le gril libre de matériaux combustibles et de rebus, ou de fluides et vapeurs combustibles tels que l'essence ou du liquide d'allumage pour charbon de bois. N'obstruez pas le débit de l'air de combustion et de ventilation.
- N'utilisez jamais le gril s'il vente. Si vous vous trouvez dans une région où il vente constamment (bord de mer, sommet de montagne, etc.), vous devez utiliser un coupe-vent. Respectez toujours les dégagements spécifiés.
- Si vous utilisez les brûleurs latéraux en option, servez-vous toujours d'ustensiles à fond plat assez grands pour couvrir les brûleurs latéral. Ajustez la flamme pour qu'elle ne chauffe que le fond du récipient afin de ne pas mettre le feu aux vêtements. Placez les poignées à l'écart des bords ouverts de l'appareil pour éviter de causer des brûlures dues à un renversement accidentel du contenu des récipients. Tenez la poignée du récipient pour empêcher tout mouvement de l'ustensile vous retournez ou remuez la nourriture. Pour assurer un bon allumage et une bonne performance des brûleurs, gardez les ports dans un état propre. Il faut les nettoyer périodiquement pour garantir des performances optimales.

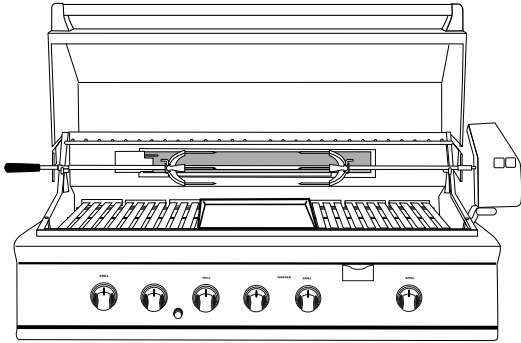
CONSIGNES DE SÉCURITÉ IMPORTANTES!

- Nettoyez le gril avec précaution. Évitez de vous brûler à la vapeur; n'utilisez pas d'éponge ou de chiffon mouillé pour nettoyer le gril quand il est chaud. Certains produits de nettoyage produisent des vapeurs nocives ou peuvent prendre feu s'ils sont appliqués à une surface chaude.
- Assurez-vous que les boutons du gril sont fermés et que le gril est froid avant d'utiliser des nettoyeurs aérosol à proximité. L'élément chimique qui produit le jet de vaporisation peut, en présence de chaleur, s'enflammer ou provoquer la corrosion des parties métalliques.
- Ne pas placer la plaque de la plaque chauffante sur le dessus de la gâchette hybride (gauche) du brûleur.
- Ne placez pas grils à viande (Modèles BH1-36RGI et BH1-48RGI seulement) côte à côte sur la grille.
- Ne grillez jamais sans que le ramasse-gouttes et le récipient à graisse ne soient en place et enfoncés jusqu'au fond du gril. Sans cela, de la graisse chaude pourrait s'écouler vers le bas et créer un risque d'incendie ou d'explosion.
- Si une unité de chariot est stockée à l'intérieur, assurez-vous qu'elle est froide, pliez l'étagère latérale vers le bas, puis poussez la grille, ne tirez jamais. Ne jamais pousser ou tirer sur les tablettes latérales. Si LP, le cylindre doit être décroché et le cylindre GPL stocké à l'extérieur dans un endroit bien ventilé, hors de portée des enfants.
- N'utilisez pas de charbon de bois ou de liquide d'allumage dans le gril.
- Gardez les cordons électriques et le cordon du moteur de la rôtissoire à l'écart des parties chaudes du gril et de l'eau (piscines, fontaines, flaques).
- N'utilisez jamais une bouteille de propane bosselée ou rouillée. Gardez les ouvertures de ventilation du boîtier de la bonbonne dégagées et libres de débris.
- Utilisez seulement des gants isolants secs: des gants humides sur des surfaces chaudes peuvent provoquer des brûlures à cause de la vapeur. N'utilisez pas de serviette ou de chiffon épais à la place de gants isolants. Évitez de toucher les parties chaudes du gril ou de la grille de brûleur avec les gants isolants.
- Si vous possédez ou utilisez une bouteille supplémentaire, ou si elle est déconnectée, ne la rangez JAMAIS à proximité ou en dessous du gril ou d'un poêle, ni près d'une quelconque source d'ignition ou de chaleur. Un autocollant métallique portant cet avertissement est fourni avec le gril pour vous rappeler cette consigne, ainsi qu'à votre famille et aux autres personnes qui pourraient utiliser le gril. Apposer cet autocollant à proximité de votre gril.

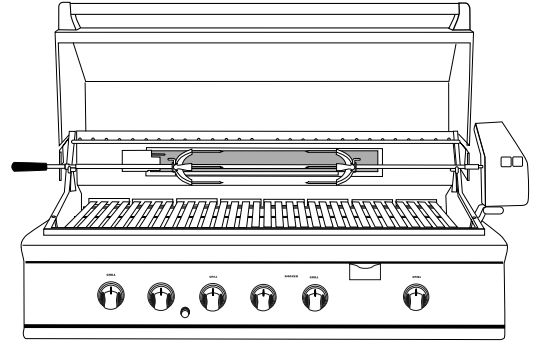


Autocollant

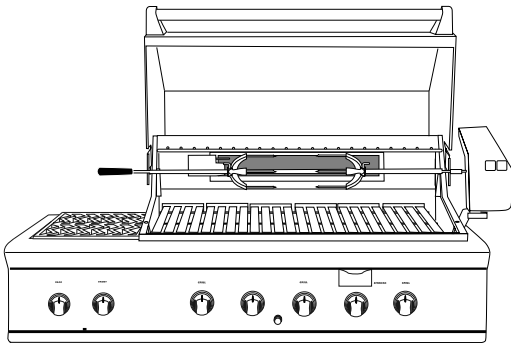
MODÈLES DE GRIL



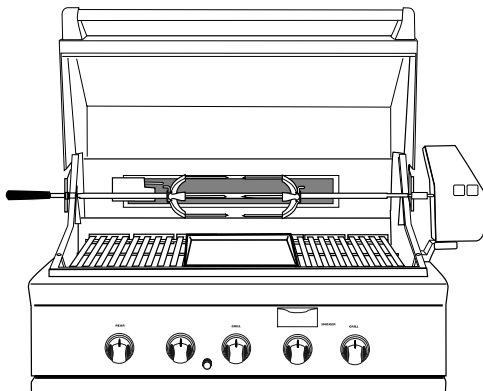
BH1-48RGI



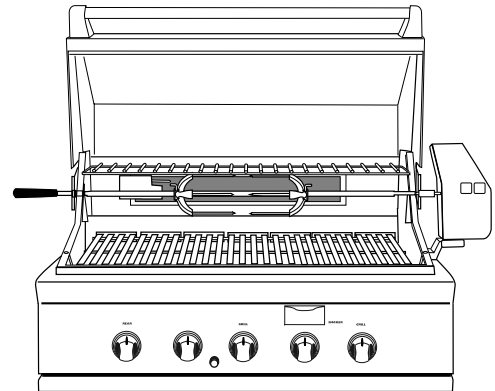
BH1-48R



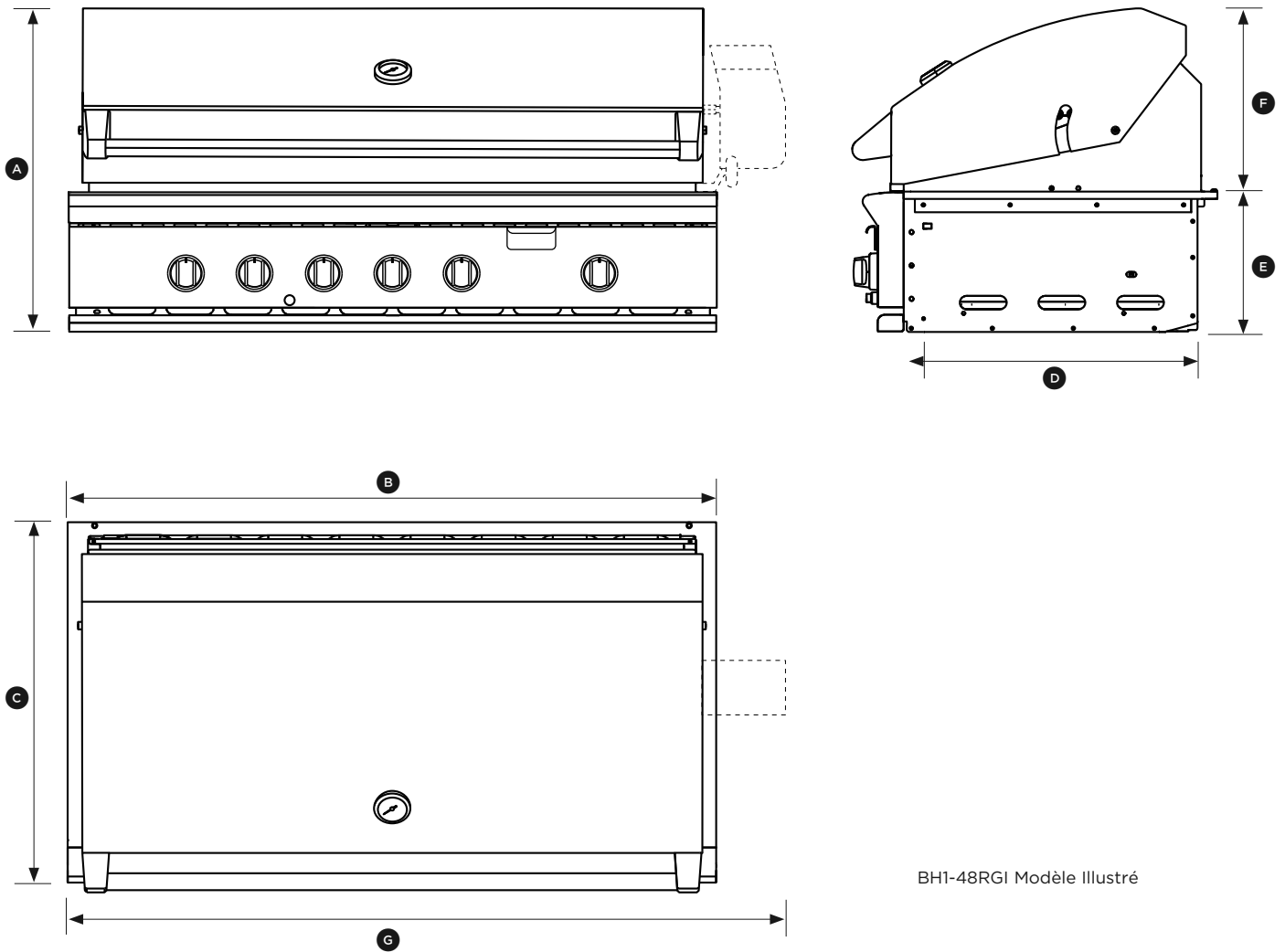
BH1-48RS



BH1-36RGI



BH1-36R



BH1-48RGI Modèle Illustré

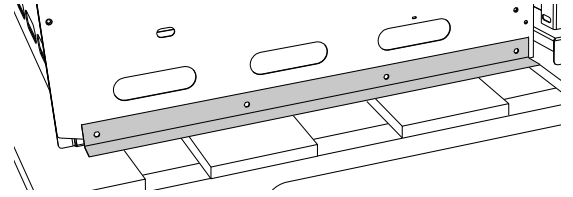
DIMENSIONS DU PRODUIT	BH1-48RS	BH1-48/RGI	BH1-36/RGI
	POUCES (MM)	POUCES (MM)	POUCES (MM)
(A) Hauteur totale de la grille	24 ¼ (616)	24 ¼ (616)	24 ¼ (616)
(B) Largeur totale de la grille	47 ⅞ (1216)	47 ⅞ (1216)	35 ⅞ (911)
(C) Profondeur totale de la grille (sauf poignée et cadrans)	26 ⅝ 676	26 ⅝ 676	26 ⅝ 676
(D) Profondeur du châssis	22 ⅝ (567)	22 ⅝ (567)	22 ⅝ (567)
(E) Hauteur du châssis	10 (254)	10 (254)	10 (254)
(F) Hauteur du capot	13 ¾ (349)	13 ¾ (349)	13 ¾ (349)
(G) Largeur totale de la grille avec le moteur de la rôtissoire	53 ⅞ (1357)	53 ¼ (1352)	41 ⅝ (1057)

INSTALLATION

Emplacement du gril et des dégagements

IMPORTANT!

Avant toute installation, retirez les supports d'expédition du gril. Pour ce faire, desserrer les 4 vis sur le dessous du gril qui maintiennent les supports au gril. Retirez les supports en les faisant glisser et resserrer les vis.



Emplacement

Pour déterminer un emplacement approprié, vous devez tenir compte de plusieurs éléments: exposition au vent, proximité de chemins de circulation, nécessité de garder les conduites d'alimentation en gaz ou électrique le plus court possible et à l'écart de toute source de chaleur. Placez l'appareil dans un lieu bien aéré uniquement. Ne construisez pas le gril sous une enceinte combustible non protégée. Ne placez jamais le gril à l'intérieur d'un bâtiment, garage, abri, passage couvert ou autre lieu clos de ce type. Durant un usage intensif, le gril produit beaucoup de chaleur et de fumée: veillez à ce qu'il y ait assez d'espace pour que celle-ci puisse se dissiper.

Si on place le gril dans un endroit venteux, essayez de le placer de manière à ce que le vent dominant souffle de l'air sur l'avant du gril telle que l'indique la Fig. 01b. Ceci permettra le gril de ventiler de l'air chaud à travers l'arrière du gril. En outre, ceci empêchera de souffler toute la fumée vers quelqu'un qui cuisine sur le gril. Si le gril doit être placé dans un endroit venteux où le vent dominant se trouve à l'arrière du gril, il faut installer un coupe-vent. Le coupe-vent doit être fabriqué de manière à empêcher le vent d'entrer dans le conduit de sortie sur l'arrière de l'unité comme l'indique la Fig. 01c. L'emplacement du coupe-vent relatif à l'arrière du gril se doit tenir aux dégagements pour les constructions combustibles et non combustibles comme définis dans ces instructions. Voyez les pages suivantes.

En qualité d'appareil à gaz de haute performance, le gril requiert de grandes quantités d'air pour supporter le processus de combustion. Votre gril est conçu pour aspirer l'air par la section du panneau de valves et pour envoyer les produits d'échappement à travers l'espace d'échappement sur l'arrière de la hotte. Utiliser le gril dans des conditions venteuses peut perturber le débit adéquat de l'air dans le gril, entraînant ainsi une moindre performance ou, dans certains cas graves, en provoquant une accumulation de chaleur dans la zone du panneau de valves. Ce qui peut provoquer des problèmes tels que la fonte des brûleurs ou des risques de brûlures lorsque les surfaces du panneau de valves deviennent trop chaudes au toucher.

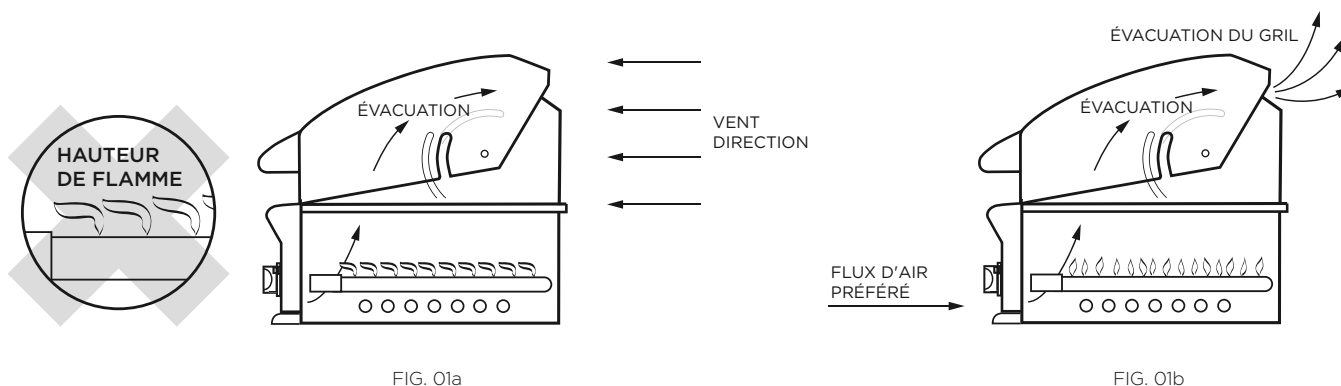
Dans des conditions de grand vent, il vaut mieux ne pas utiliser le gril. Si vous vivez dans une région fréquemment exposées aux grands vents, ou à un vent directionnel constant, l'installation d'un coupe-vent est recommandée. Si vous avez un chariot de gril, il vaut mieux positionner l'unité de manière à ce que le vent dominant souffle dans le panneau de valves, supportant ainsi le débit d'air approprié. Les vents qui frappent l'arrière du gril directement auront le plus de chances de provoquer des problèmes, bien qu'un vent soufflant le long de l'espace d'échappement sur l'arrière peut également être problématique.

Veillez noter que tout dommage du gril résultant de son utilisation dans des conditions venteuses, tel que la fonte des boutons ou des fils d'allumeurs, ou encore la décoloration du panneau de valves provoquée par l'accumulation de chaleur, est exclu de la couverture de garantie.

Emplacement du gril et des dégagements

IMPORTANT!

Les raccords de gaz, le régulateur et le robinet d'arrêt fournis par l'installateur doivent être facilement accessibles.



Le vent qui frappe le gril pendant son utilisation, particulièrement les vents soufflant dans ou sur cet espace de hotte, peut entraîner une performance médiocre et, dans certains cas, peut rendre le panneau de commande extrêmement chaud.

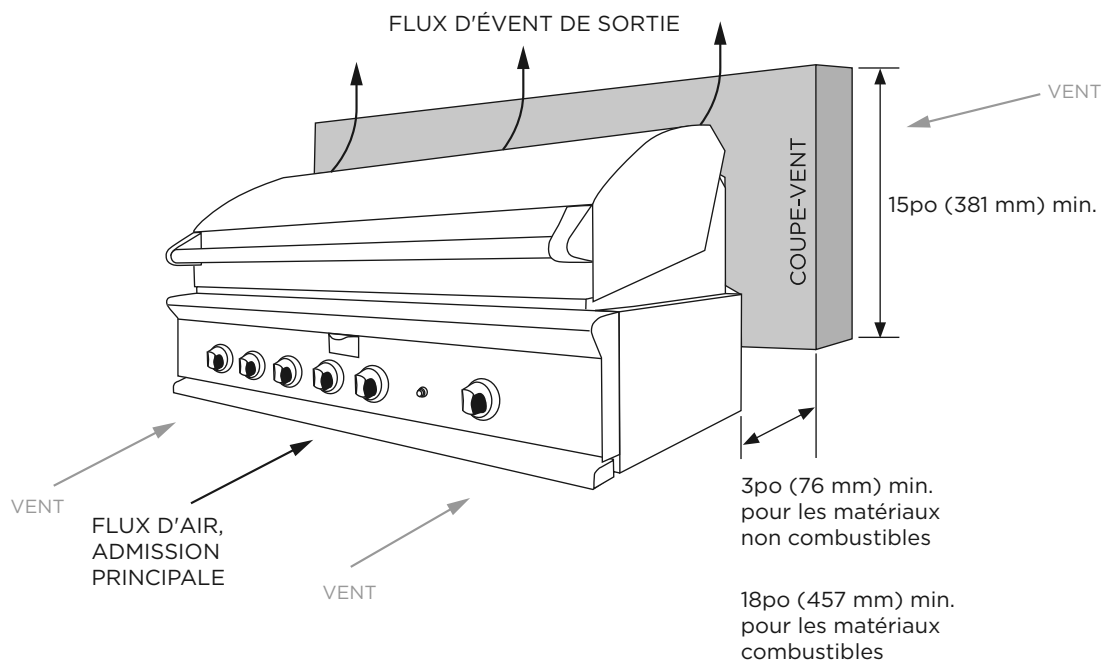


FIG. 01c

Si le vent est un problème, il faut ajouter un coupe-vent. Le coupe-vent doit être supérieur au haut de l'ouverture sur l'arrière du gril. Le dégagement entre le coupe-vent et le gril doit être 3 po (76mm) min. pour les matériaux non combustibles et 18 po (457mm) min. pour les matériaux combustible.

INSTALLATION

Emplacement du gril et des dégagements

Espaces de dégagement pour une construction non combustible*

Prévoyez une distance de 76 mm (3 po) minimum entre l'arrière du gril et la construction non combustible afin de pouvoir ouvrir le couvercle complètement. Il est conseillé de prévoir au moins 153 mm (6 po) de dégagement latéral et de l'arrière par rapport à la construction non combustible, au-dessus de la surface de cuisson, comme espace de comptoir. Si vous prévoyez utiliser la rôtissoire, cet espace est essentiel pour le dégagement du moteur et de la broche. Le gril peut être adjacent à la construction non combustible, au-dessous de la surface de cuisson (Fig. 02).

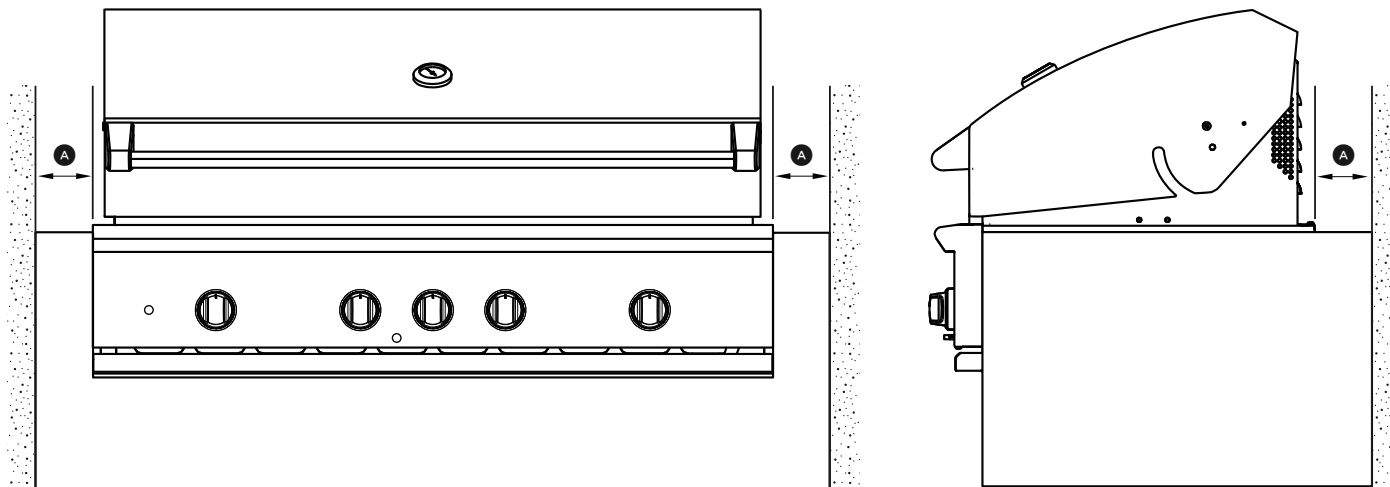


FIG. 02

DIMENSIONS

POUCES (MM)

Ⓐ Distance minimale de la surface non combustible à la grille

3 (76)



=

SURFACE
NON-COMBUSTIBLE

***DÉFINITION DES MATÉRIAUX NON COMBUSTIBLE** - Matériau incapable d'être enflammé et brûlé tel que les matériaux composés entièrement, ou un mélange, d'acier, de fer, de brique, de tuile, de béton, d'ardoise et de plâtre.

IMPORTANT!

- **Le non-respect des dégagements requis pose un risque d'incendie pouvant causer des dommages matériels ou des blessures graves.**
- **Le Gril BH1 est conçu pour fonctionner à l'extérieur. Prévoyez des dégagements minimum recommandés pour toutes les surfaces (combustibles et non combustibles) pour une performance optimale. Le matériau non combustible dans la zone de dégagements minimum pourrait entraîner une décoloration ou une détérioration.**
- **Si un matériau non combustible tel que le stuc recouvrant un matériau combustible comme le bois, la distance de dégagement minimum doit être tenue au bois. La présence d'un matériau non combustible à l'intérieur de la zone de dégagement n'élimine pas la zone de dégagement minimum au matériau combustible**

Généralités

Le gril est conçu pour être placé facilement dans une enceinte de maçonnerie encastrée. Pour les applications non combustibles, on enfonce le gril dans l'ouverture illustrée à la figure 04 et on le suspend par ses brides latérales. Si vous utilisez une enveloppe isolée dans une enceinte combustible, reportez-vous à l'illustration de la figure 05. L'enveloppe isolée doit être soutenue par le bas par une pièce d'appui de chaque côté et sur l'arrière, ou par une base solide.

Utilisez un niveau à bulle pour vous assurer que l'unité est de niveau à la fois d'avant en arrière et d'un côté à l'autre. Si l'unité n'est pas de niveau, la combustion des brûleurs risque d'être erratique ou l'unité risque de ne pas fonctionner efficacement pour l'écoulement de graisse. Si le sol est inégal ou a une pente marquée, un nouveau nivellement doit être effectué après chaque déplacement d'une unité autoportante.

Emplacement du gril et des dégagements

Espaces de dégagement pour une construction combustible**

Un minimum de 18po (457mm) des côtés et de l'arrière du gril doit être maintenu sur la construction combustible verticale adjacente, au-dessus du niveau supérieur du comptoir. Vous devez tenir compte du fait qu'il existe un grand volume de chaleur et que la fumée s'échappera de l'arrière du gril. Ce qui risque de décolorer ou d'endommager les zones non protégées. N'installez pas le gril sous une construction combustible non protégée dans utiliser de système de ventilation sécurité feu.

Il faut maintenir un dégagement minimum de 18po (457mm) sous le comptoir sur la construction combustible. Le dégagement peut être modifié en utilisant une enveloppe isolée.

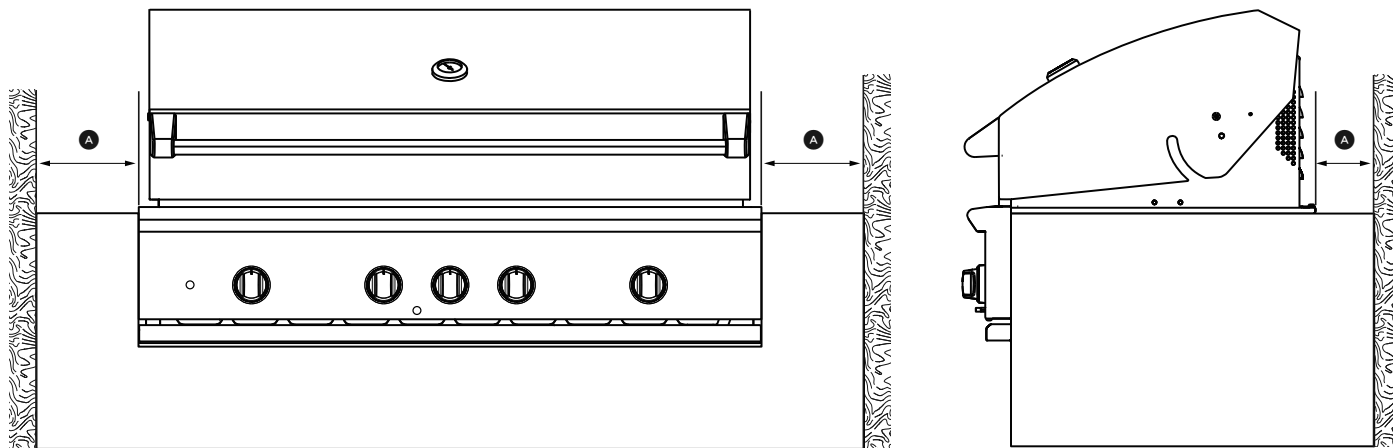



FIG. 03

DIMENSIONS	POUCES (MM)	
Ⓐ Distance minimale de la surface combustible à la gril	18 (457)	 = SURFACE COMBUSTIBLE

****DÉFINITION DES MATÉRIAUX COMBUSTIBLES** - Tout matériau de structure de construction ou structure décorative fabriquée en bois, papier comprimé, fibres de plante, vinyle/plastique ou autres matériaux capables de transférer la chaleur ou d'être enflammés et brûlés. Ledit matériau sera considéré combustible même si ignifugé ou revêtu de peinture ou de plâtre.

IMPORTANT!

Il est recommandé d'installer un minimum de deux événements de 12 1/4 x 12 1/4 po (311 x 311 mm) afin de permettre la dissipation sécuritaire des vapeurs de gaz non brûlées en cas de fuite de l'alimentation en gaz. Ils doivent être situés de chaque côté de l'enceinte, à une distance maximale de 5 po (127 mm) du dessus.

Enveloppe isolée

Si le gril doit être placé dans une enceinte combustible, une enveloppe isolée homologuée est nécessaire. Des enveloppes isolées sont disponibles auprès de votre distributeur. Utilisez uniquement une enveloppe isolée DCS ayant été conçue et testée spécialement à cette fin. Analysez le schéma détaillé (Fig. 05) et tenez compte des dispositions à prendre pour le branchement de la conduite de gaz au coin droit arrière. Il est nécessaire de prévoir des trous de ventilation dans l'enceinte pour éviter le risque d'accumulation de gaz en cas de fuite. Les pièces d'appui ou la base de support doivent être de niveau et plates, et suffisamment solides pour supporter le gril et l'enveloppe isolée. Le comptoir doit aussi être de niveau.

IMPORTANT!

L'installation de ce produit dans une enceinte combustible sans enveloppe isolée pourrait entraîner un incendie, des dommages matériels et des blessures corporelles.

INSTALLATION

Détails d'une construction intégrée

Disposition standard pour une enceinte non combustible

IMPORTANT!

Pour installer le gril dans une enceinte non combustible, toute la construction combustible doit toujours être en dehors de la zone de dégagement de 18 po (457mm). Si l'îlot est fabriqué en stuc sur des montants en bois, le bois ne peut pas être à l'intérieur de la zone de dégagement de 18 po (457mm) du combustible, même si c'est le stuc qui touche la zone de gril.

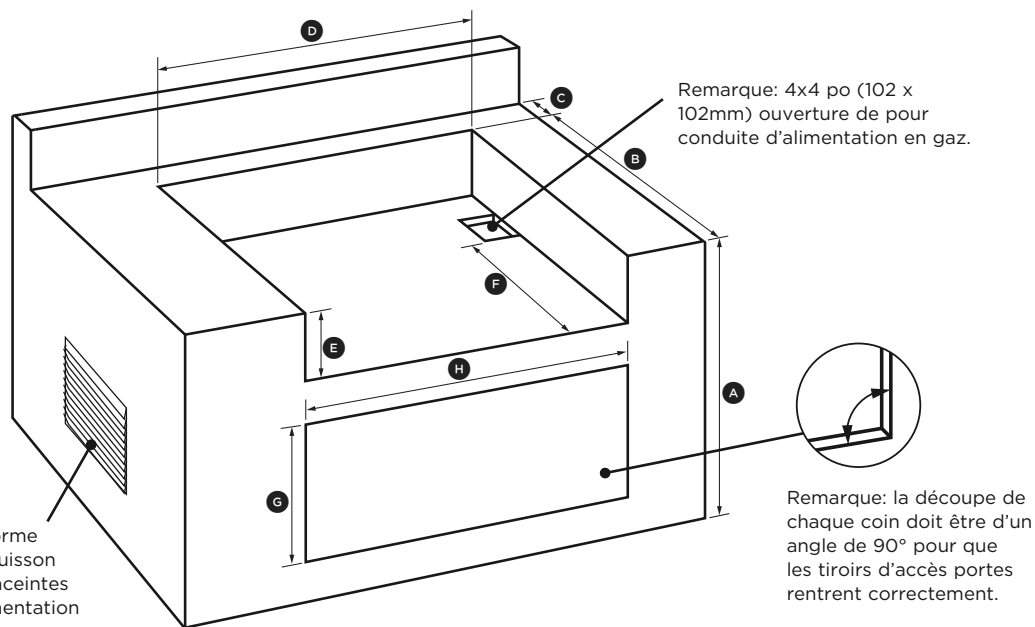


FIG. 04

CAVITÉ DIMENSIONS	BH1-48R	BH1-36R
	POUCES (MM)	POUCES (MM)
Ⓐ Hauteur maximale de la coque de l'enceinte	35 ½ (902)	35 ½ (902)
Ⓑ Profondeur de l'enveloppe de l'enceinte	22 ¾ (578)	22 ¾ (578)
Ⓒ Profondeur minimale pour l'oscillation	3 ¾ (95)	3 ¾ (95)
Ⓓ Largeur de la cavité de l'enceinte	45 ¾ (1162)	34 ½ (876)
Ⓔ Hauteur de la cavité de l'enceinte	10 ⅛ (257)	10 ⅛ (257)
Ⓕ Profondeur à l'ouverture de l'alimentation en gaz	18 ½ (470)	18 ½ (470)
Ⓖ Hauteur de l'ouverture pour les portes d'accès / tiroirs	20 (508)	20 (508)
Ⓗ Largeur d'ouverture pour portes d'accès / tiroirs	46 (1168)	34 (864)

Détails d'une construction intégrée

Disposition pour enveloppe isolée seulement

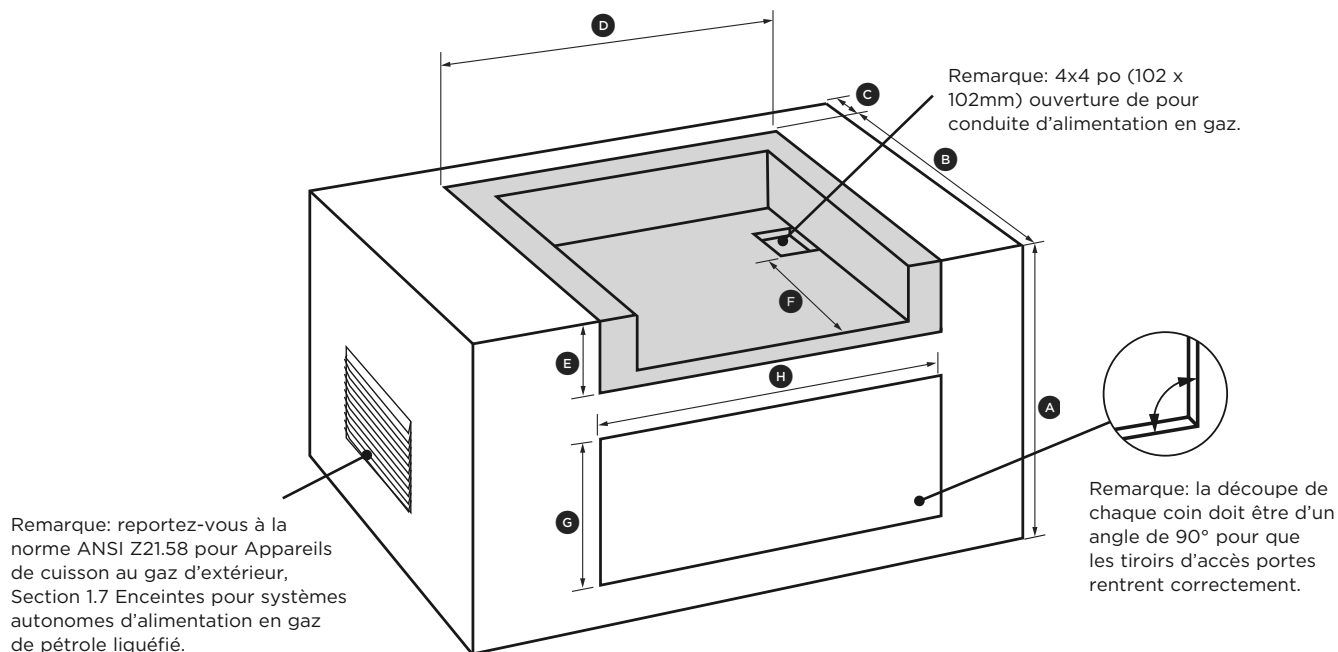


FIG. 05

CAVITÉ DIMENSIONS	BH1-48R	BH1-36R
	POUCES (MM)	POUCES (MM)
Ⓐ Hauteur maximale de la coque de l'enceinte	35 ½ (902)	35 ½ (902)
Ⓑ Profondeur de l'enveloppe de l'enceinte	22 ¾ (578)	22 ¾ (578)
Ⓒ Profondeur minimale pour l'oscillation	3 ¾ (95)	3 ¾ (95)
Ⓓ Largeur de la cavité de l'enceinte	51 ⅝ (1318)	40 ½ (1029)
Ⓔ Hauteur de la cavité de l'enceinte	11 ⅞ (283)	11 ⅞ (283)
Ⓕ Profondeur à l'ouverture de l'alimentation en gaz	18 ½ (470)	18 ½ (470)
Ⓖ Hauteur de l'ouverture pour les portes d'accès / tiroirs	20 (508)	20 (508)
Ⓗ Largeur d'ouverture pour portes d'accès / tiroirs	46 (1168)	34 (864)

PORTES D'ACCÈS MODEL NUMBER	TIROIRS D'ACCÈS MODEL NUMBER	CAVITÉ LARGEUR	CAVITÉ HAUTEUR
		POUCES (MM)	POUCES (MM)
ADN1-20x48	ADR2-48	46 (1168)	20 (508)
ADN1-20x36	ADR2-36	34 (864)	20 (508)
ADN1-20x30	ADR2-30	28 (711)	20 (508)
ADN1-20x24	ADR2-24	22 (559)	20 (508)

Pour information sur la façon dont commander les tiroirs ou les portes d'accès, contactez DCS au 1.888.936.7872.

INSTALLATION

Branchement du gaz

Exigences concernant le gaz

Vérifiez le type de gaz à utiliser (gaz naturel ou propane) et assurez-vous que les indications figurant sur la plaque signalétique de l'appareil sont conformes à celles de l'alimentation. L'étiquette de la plaque signalétique est située sur le côté inférieur de l'égouttoir. Ne connectez jamais un tuyau à gaz non régulé à l'appareil. Vous devez utiliser le détendeur de gaz fourni avec l'unité, même si l'alimentation est contrôlée.

Un robinet d'arrêt fourni par l'installateur doit être installé dans un endroit facilement accessible. Toutes les pièces fournies par l'installateur doivent être conformes aux codes en vigueur ou, en l'absence de tels codes, à la norme ANSI/NFPA 70 du National Electrical Code (Code national de l'électricité), ou norme ACNOR C22.1 du Code canadien de l'électricité, et norme ANSI Z223.1 du National Fuel Gas Code (Code national de gaz combustible), ou norme CSA-B149.1 du Code d'installation du gaz naturel ou norme CSA-B149.2 du Code d'installation du propane. Au Massachusetts, de tels dispositifs d'arrêt doivent être approuvés par le Board of State Examiners of Plumbers & Gas Fitters.

Tous les produits d'étanchéité utilisés doivent être approuvés et résister aux effets du propane. N'utilisez jamais ces produits sur des raccords évasés. Toutes les connexions de gaz doivent être effectuées par un technicien qualifié conformément aux codes et règlements en vigueur. En l'absence de codes locaux, l'installation doit être conforme à la norme ANSI Z223.1 du National Fuel Gas Code. Les kits de conversion au gaz sont disponibles. Contactez votre Centre de service à la clientèle DCS. Au moment de commander un kit de conversion au gaz, ayez sous la main le numéro de modèle et le type de gaz (naturel ou propane) de votre grill.

Consommation totale de gaz du grill, les brûleurs étant tous sur Hi

BH1-48RS - 126,500 Btu/hr or 133.5MJ/h BH1-48R/BH1-48RGI - 121,500 Btu/hr or 128.2 MJ/h BH1-36R/BH1-36RGI - 92,500 Btu/hr or 97.5 MJ/h. L'appareil et son robinet d'arrêt doivent être déconnectés du système d'alimentation en gaz durant les tests de pression lorsque celle-ci est supérieure à 3,5 kPa (1/2 PSIG). L'appareil doit être isolé du système d'alimentation en gaz en fermant son robinet d'arrêt durant les tests de pression si la pression est inférieure ou égale à 3,5 kPa (1/2 PSIG). L'installation de cet appareil doit être conforme aux codes en vigueur ou, en l'absence de tels codes, à la norme ANSI Z223.1/NFPA 54 du National Fuel Gas Code. L'installation au Canada doit être conforme aux normes Standard CSA B149.1 ou B149.2 (code d'installation pour les appareils et équipements à gaz) et aux codes en vigueur.

Branchement du gaz naturel

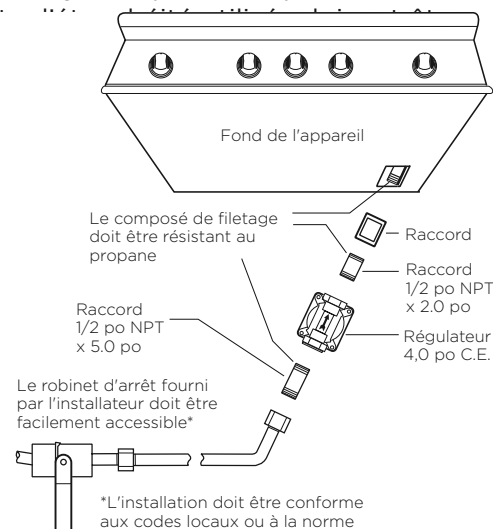
Connexion: Raccord femelle 1/2 po NPT avec adaptateur évasé **Pression utile:** 4.0po W.C. **Pression d'alimentation:** 5 à 14 po C.E. Si la pression dépasse 14 po C.E., un régulateur est requis pour diminuer la pression. Renseignez-vous auprès de votre service de distribution de gaz local ou consultez les codes en vigueur au sujet de l'installation de conduites d'alimentation en gaz. Vérifiez en particulier le type et les dimensions de la conduite et de sa profondeur d'enfouissement. Le grill risque de ne pas fonctionner correctement si la conduite de gaz est trop courte. Tous les produits utilisés doivent être approuvés et résister aux effets du propane.

Pour connecter les raccords fournis avec le grill

Effectuez l'assemblage tel qu'indiqué (Fig. 06). Utilisez le composé de filetage sur les filetages mâles uniquement. N'en mettez pas sur l'extrémité mâle du raccord 3/8 po NPT avec adaptateur évasé 3/8 po. Utilisez une seconde clé à tube pour maintenir le tuyau d'admission du grill afin d'éviter de déplacer les conduites de gaz internes du grill. Assurez-vous que la flèche du régulateur pointe en direction du débit de gaz, vers l'appareil, dans le sens opposé à l'alimentation de gaz. N'oubliez pas de placer le robinet d'arrêt fourni par l'installateur dans un endroit facilement accessible.

Branchement du propane (régulateur de type 1 ou QCC1)

Les grills dont les orifices sont prévus pour du propane sont équipés d'un tuyau et d'un régulateur de haute capacité pouvant être connectés à une bouteille standard de propane de 9 kg (20 lb) (Type 1). La bouteille de propane n'est pas incluse.



*L'installation doit être conforme aux codes locaux ou à la norme ANSI Z223.1 du National Fuel Gas Code ou norme CSA-B149.2 du Code d'installation du propane.

FIG. 06 Gaz naturel

Branchement du gaz

LP cart hook-up

Grilles avec un ensemble tuyau / régulateur de haute capacité pour un cylindre de GPL standard de 20 lb (Type 1). Le réservoir de GPL n'est pas inclus. **Le Gril est fourni avec un ensemble détendeur/tuyau de propane installé en usine. L'ensemble a été soumis à des essais d'étanchéité. Ne pas retirer l'ensemble détendeur/tuyau du gril durant son installation.**

Connexion: Raccord mâle 3/8 po NPT avec adaptateur évasé 3/8 po (inclus). Un tuyau de propane avec Type 1 déconnexion rapide et régulateur sont inclus. **Pression utile:** 11,0 po C.E.

Remarque: tous les connecteurs et les conduites de gaz doivent conformes à la norme pour les connecteurs pour appareils à gaz extérieure et maisons préfabriquées, ANSI Z21.75/CSA 6.27.

Pour connecter le régulateur et le tuyau de propane à la bouteille et au robinet, assurez-vous d'abord que le robinet principal de la bouteille est complètement fermé. Bien que le débit de gaz soit arrêté lorsque le système de Type 1 est déconnecté par mesure de sécurité, fermez toujours le robinet principal de la bouteille (Fig. 07) après chaque utilisation et durant le transport de la bouteille ou de l'appareil. Insérez l'admission du régulateur dans le robinet de la bouteille et tournez le coupleur noir dans le sens des aiguilles d'une montre jusqu'à ce qu'il soit serré. Évitez de trop serrer. Ouvrez le robinet principal de la bouteille et mettez les valves de réglage du brûleur en position « HI » pendant environ 20 secondes, fermez les valves, et patientez 5 minutes pour purger l'air du système avant d'allumer les brûleurs.

Avant de déconnecter le coupleur, assurez-vous d'abord que le robinet principal de la bouteille est fermé. Saisissez le coupleur et tournez-le dans le sens contraire des aiguilles d'une montre. L'admission se dégage alors. Retirez-la de l'ouverture du robinet de la bouteille si ce n'est déjà fait. Votre station locale de ravitaillement en propane doit être équipée de façon à pouvoir remplir correctement votre bouteille.

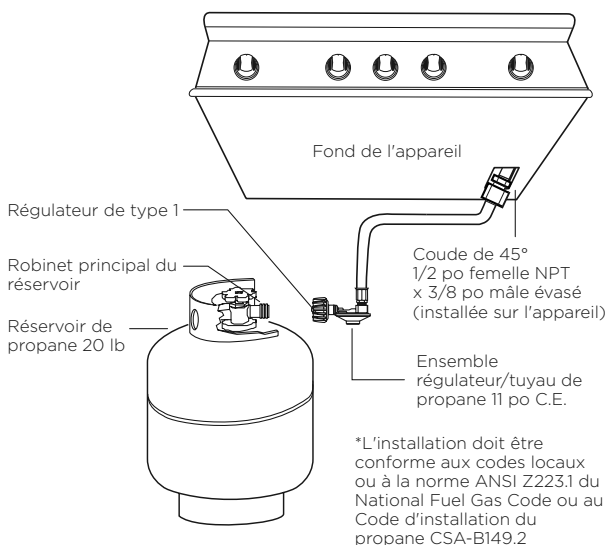


FIG. 07 Propane

IMPORTANT!

- **Avant de connecter la bouteille de propane au régulateur, assurez-vous que tous les brûleurs et brûleurs latéraux, fumoirs et valves de rôtissoire sont en position OFF, puis ouvrez le couvercle**
- **Ne placez pas le gril directement sur le sol ou sur toute autre surface plate sans support et ce, pour éviter d'endommager l'ensemble détendeur/tuyau avec le poids du gril.**
- **Inspectez le tuyau, le détendeur et les connecteurs pour tout dommage éventuel. Recherchez la présence éventuelle de fissures, d'abrasions, de fragilité, de trous, de bosses et d'entailles.**
- **Ne tentez pas de retirer, de réparer ou de remplacer l'ensemble de détendeur/tuyau vous-même. Ceci doit être effectué uniquement par un technicien qualifié agréé.**

Exigences concernant la bouteille de propane

Une bouteille bosselée ou rouillée peut poser un danger. Faites-la examiner par votre fournisseur de gaz. La bouteille utilisée doit avoir une bague pour protéger la soupape de bouteille. N'utilisez jamais une bouteille dont la valve est endommagée. Regardez toujours s'il y a des fuites après chaque changement de bouteille. La bouteille de propane doit être fabriquée et marquée conformément aux spécifications relatives aux bouteilles de propane publiées par le « U.S. Department of Transportation » (DOT) et porter la mention limitant leur utilisation aux systèmes de Type 1. Ne changez pas le régulateur et le tuyau fournis avec l'appareil et n'essayez pas d'utiliser un régulateur et un tuyau de Type 1 avec une valve de bouteille 510 POL standard. La bouteille doit posséder un robinet d'arrêt terminé par une sortie de valve spécifiée, selon le cas, pour une connexion de Type 1. Si l'appareil est rangé à l'intérieur, débranchez la bouteille et retirez-la de l'appareil. Les bouteilles doivent être rangées dans un lieu extérieur bien aéré, hors de portée des enfants.

INSTALLATION

Branchement de gaz

Branchement intégré LP

Si le gril doit être installé dans une application intégrée, le gril doit être installé conformément aux directives d'installation intégrées et l'ensemble régulateur / tuyau flexible doit être retiré du produit.

Connexion: Tuyau LP avec un déconnexion rapide et un régulateur de type 1 inclus. **Pression de fonctionnement:** 11.0 po C.E. Tous les tuyaux et raccords de gaz doivent être conformes à la norme ANSI Z21.75 / CSA 6.27 pour les raccords pour appareils à gaz extérieurs et les maisons préfabriquées.

Remarque: lorsqu'une unité LP est directement connectée à un système LP, vous devez suivre les consignes de branchement au gaz naturel.

Si vous avez l'intention de faire fonctionner votre barbecue intégré avec du gaz de pétrole liquéfié à l'aide d'un cylindre de 20 lb-pi de type 1, un dispositif de retenue de réservoir PL intégré doit être installé avant la première utilisation du barbecue. L'installateur doit fournir un tuyau flexible ID 1/2 et un tuyau fixe ainsi qu'un adaptateur d'évasement comme indiqué à la figure 08. L'installateur doit fournir le régulateur de gaz approprié pour réduire la pression du gaz à 11 po C.E.

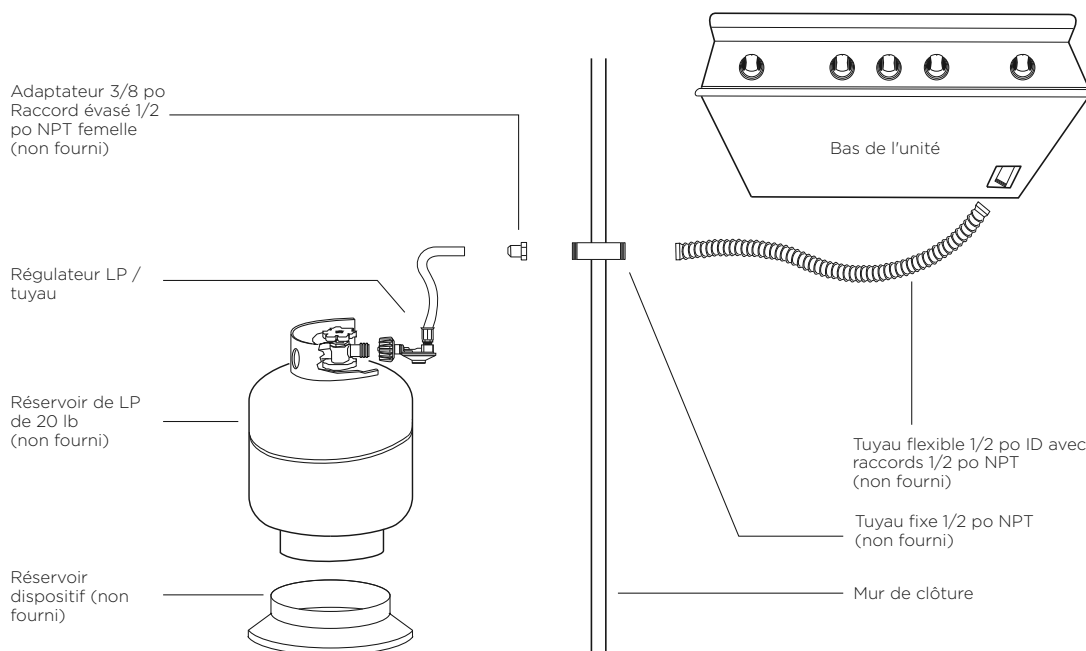


FIG. 08 LP Gaz - Intégré

IMPORTANT!

La tuyauterie de gaz et les connecteurs doivent être serrés dans l'enceinte pour éviter tout contact avec les pièces mobiles et les surfaces chaudes. Lorsque la tuyauterie de gaz traverse une ouverture dans l'enceinte, la tuyauterie doit être protégée sur une distance d'au moins 2 "(50 mm) de chaque côté de l'ouverture.

Test de détection des fuites

IMPORTANT!

L'essai d'étanchéité doit être effectuée par un technicien qualifié.

Généralités

Bien que toutes les connexions de gaz du gril soient testées en usine avant l'expédition, une vérification complète doit être effectuée sur le site d'installation, pour s'assurer qu'il n'y a pas de fuites, au cas où l'appareil aurait été malmené durant le transport ou qu'il aurait subi une pression excessive. Vérifiez périodiquement l'absence de fuites dans le système ou vérifiez immédiatement si vous sentez une odeur de gaz.

Avant la vérification

Ne fumez pas pendant le test de détection des fuites. Éteignez toute flamme vive. N'effectuez jamais d'épreuve d'étanchéité près d'une flamme vive. Faites un mélange, à parts égales, de détergent liquide et d'eau. Vous aurez besoin d'une bouteille avec vaporisateur, d'une brosse ou d'un chiffon pour appliquer la solution aux raccords. Pour les appareils à propane, effectuez la vérification avec une bouteille pleine. Le panneau des valves doit être retiré pour tester les valves et les raccords. Retirez les boutons et le bouton de valve de sécurité, puis les 2 vis qui retiennent le panneau à l'appareil (vous faudra un tournevis cruciforme pour ce travail). Tirez le panneau vers l'extérieur et débranchez les fils du module d'allumage et de l'arrière du bouton d'allumage. Sur l'arrière de l'unité, retirez les vis qui maintiennent le panneau de service en place. Retirez le panneau de service.

Pour tester

Assurez-vous que les valves de réglage sont en position « OFF ». Ouvrez l'alimentation en gaz « ON ». Vérifiez toutes les connexions, de la conduite d'alimentation, ou bouteille de propane, jusqu'au tube du collecteur. Appliquez la solution savonneuse autour des connexions, des valves, des tuyaux et de l'extrémité du collecteur. Évitez tout contact avec la solution de savon sur les commutateurs vannes. Des bulles de savon apparaîtront en cas de fuite. Si c'est le cas, fermez immédiatement le gaz, serrez tous les raccords qui fuient, ouvrez le gaz et vérifiez de nouveau. Inspectez toutes les connexions à gaz à la base des valves de réglage, là où elles se vissent dans le tube du collecteur.

Pour vérifier le brûleur de rôtissoire et la valve de sécurité, allumez le brûleur. Effectuez ensuite une épreuve d'étanchéité sur les connexions situées derrière le panneau de service. Si vous ne pouvez pas arrêter une fuite, fermez le gaz et appelez votre service de distribution de gaz ou le distributeur qui vous a vendu l'appareil. Utilisez uniquement les pièces recommandées par le fabricant. Toute substitution peut annuler la garantie.

IMPORTANT!

- **N'utilisez pas le grill tant que toutes les connexions n'ont pas été inspectées.**
- **Vérifiez l'absence de fuites au niveau des raccords avant chaque utilisation. Conservez une bouteille d'eau savonneuse munie d'un vaporisateur près du robinet d'arrêt de l'alimentation en gaz. Vaporisez tous les raccords. La formation de bulles indique la présence de fuites.**

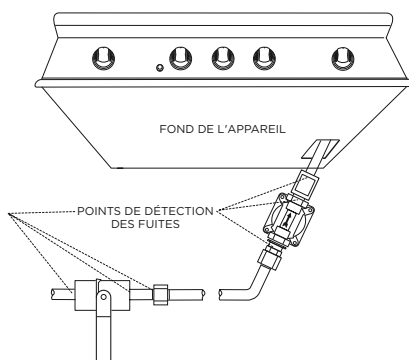


FIG. 09 Gaz naturel

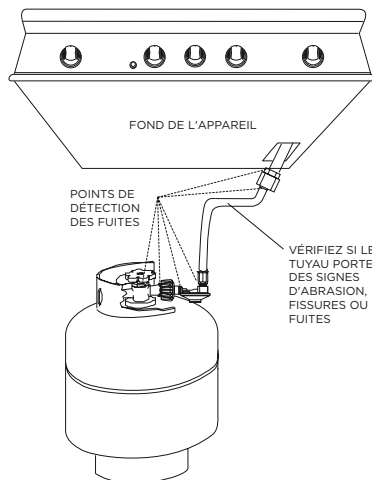


FIG. 10 LP Gaz propane

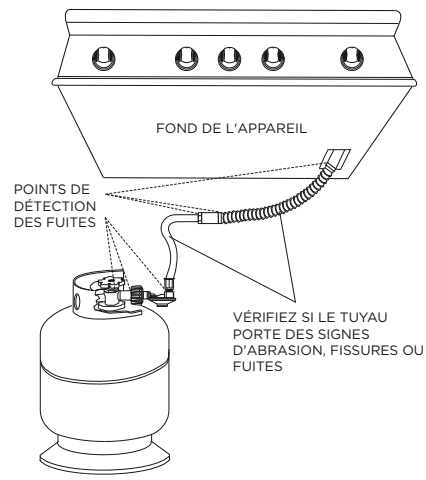


FIG. 11 LP Gaz intégré

Pile d'allumage

Voir page 34.

Réglages des brûleurs

IMPORTANT!

Avant d'allumer, inspectez le tube ou tuyau d'alimentation en gaz avant d'ouvrir le gaz. S'il porte des signes de coupures, usure ou abrasion, remplacez-le avant l'utilisation.

Réglage d'air du brûleur du grill

Chaque brûleur du grill est testé et réglé en usine avant d'être expédié; toutefois, des variations au niveau de l'alimentation en gaz locale ou de la conversion d'un gaz à un autre peut nécessiter un nouveau réglage. Les flammes des brûleurs (excepté le brûleur de la rôtissoire) doivent être vérifiées visuellement et comparées à celles du schéma de la figure 12. Les flammes doivent être bleues et stables (Les unités au propane peuvent avoir des pointes jaunes), sans pointe jaune ni bruit excessif, et ne doivent pas tirer vers le haut. Si l'une de ces situations se produit, vérifiez si les obturateurs d'air ou les ports des brûleurs sont bloqués par de la saleté, des débris, des toiles d'araignée, etc. Ajustez les obturateurs. La quantité d'air qui pénètre dans le brûleur est contrôlée par une cuvette en métal, situé à l'entrée du brûleur, et appelée obturateur d'air. Elle est maintenue en place par une vis qui doit être desserrée avant d'allumer le brûleur pour le régler.

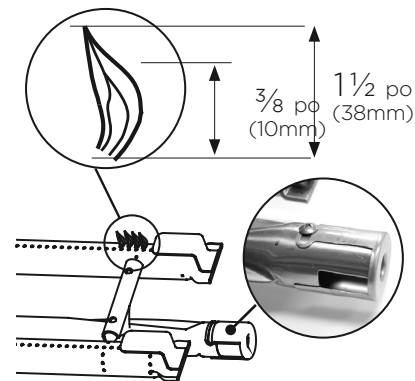


FIG. 12

Hauteur des flammes du brûleur du grill

Avant de commencer, assurez-vous que le grill est éteint et froid. Pour accéder aux obturateurs d'air du brûleur du grill, retirez d'abord les grilles et les radiants du foyer, puis retirez le brûleur du grill en suivant les instructions illustrées en page 35. À l'aide d'un tournevis, desserrez légèrement la vis de blocage sur la face de l'obturateur d'air de manière à pouvoir ajuster l'obturateur d'air.

Réglage

- ① Soyez prudent car le brûleur peut être très chaud.
- ② Si la flamme est jaune, ce qui indique une insuffisance d'air, tournez l'obturateur d'air vers la gauche pour laisser passer davantage d'air pour le brûleur.
- ③ Si la flamme fait du bruit et tend à s'élever du brûleur, ce qui indique un excédent d'air, tournez l'obturateur d'air vers la droite.

Remarque: remontez le brûleur en U en vous assurant que le brûleur est de niveau. Allumez le brûleur et inspectez la flamme. Si tout est correct, retirez le brûleur et serrez la vis de l'obturateur d'air. Dans le cas contraire, répétez la procédure ci-dessus pour rajuster l'obturateur d'air.

Réglages pour niveau bas

Les valves du grill comportent un niveau bas réglable. Selon les fluctuations de la pression de gaz, du niveau de chaleur ou de la conversion de gaz, vous pourriez juger nécessaire d'augmenter ou de réduire le débit de gaz au niveau bas. Nous ne recommandons pas d'ajuster le brûleur de rôtissoire.

Réglage

- ① Allumez le brûleur.
- ② Tournez le bouton de réglage vers le niveau le plus bas.
- ③ Retirez le bouton.
- ④ Tout en tenant l'axe de la valve avec des pinces, insérez un tournevis mince à tête plate dans l'axe et, tout en surveillant le brûleur, ajustez jusqu'à obtenir une petite flamme stable.

Hauteur des flammes du brûleur latéral

La hauteur correcte de la flamme dépend essentiellement des dimensions du fond de l'ustensile de cuisson, du matériau de l'ustensile, de la quantité et du type d'aliments, et de la quantité de liquide dans l'ustensile. Règles de base:

- Pour des raisons de sécurité, la flamme ne doit jamais dépasser le fond du récipient. Ne laissez jamais les flammes lécher les parois de l'ustensile de cuisson.
- Les ustensiles qui conduisent lentement la chaleur (tels que ceux en vitrocéramique) doivent être utilisés un feu doux ou moyen. Vous pouvez augmenter légèrement le feu si le volume de liquide est important.

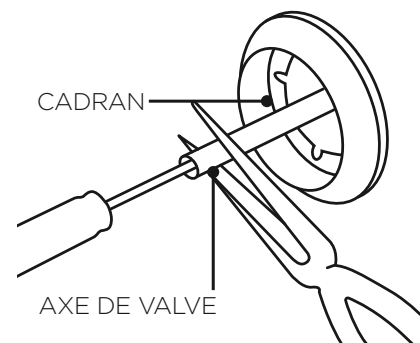
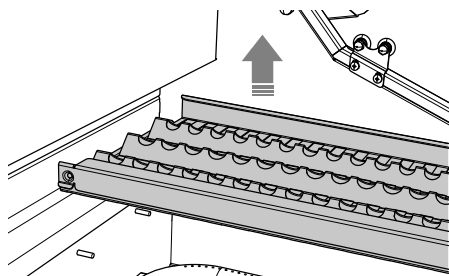


FIG. 13

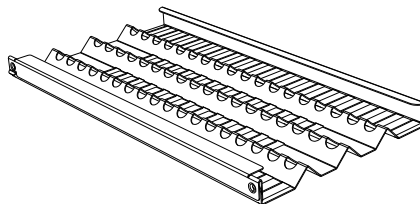
Installation de l'ensemble du radiant

IMPORTANT!

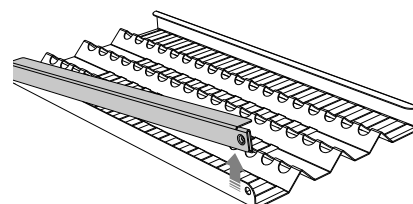
Avant d'assembler le assembly radiant vérifier que les plateaux radiants n'ont pas bougé pendant le transport. Ils devraient s'asseoir en toute sécurité sur leurs broches de positionnement dans la base de la grille.



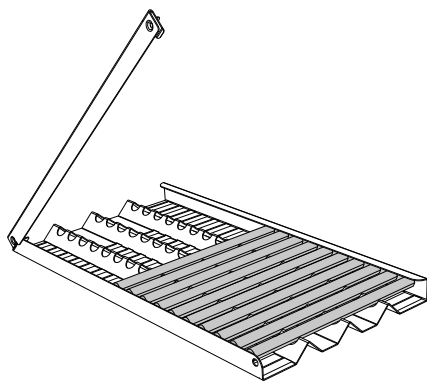
- ① Localisez le radiant dans l'unité.



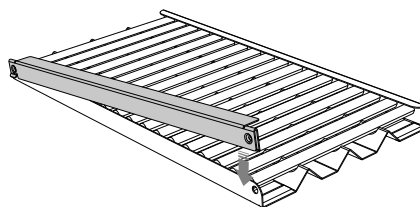
- ② Déballez les tiges en céramique et retirez le radiant de l'appareil.



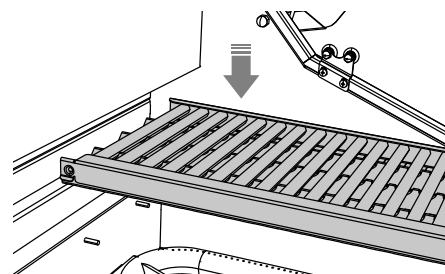
- ③ Déverrouillez le couvercle du radiant en le poussant de deux doigts.



- ④ Placez 18 tiges en céramique sur le radiant.



- ⑤ Verrouillez le couvercle du radiant.



- ⑥ Placez le radiant assemblé dans l'appareil.

Si une tige en céramique se brise

- ① Déverrouillez le couvercle du radiant en le poussant de deux doigts.
- ② Remplacez la tige en céramique brisée.
- ③ Verrouillez le couvercle du radiant.

Pour commander une tige en céramique de remplacement, visitez www.dcsappliances.com.

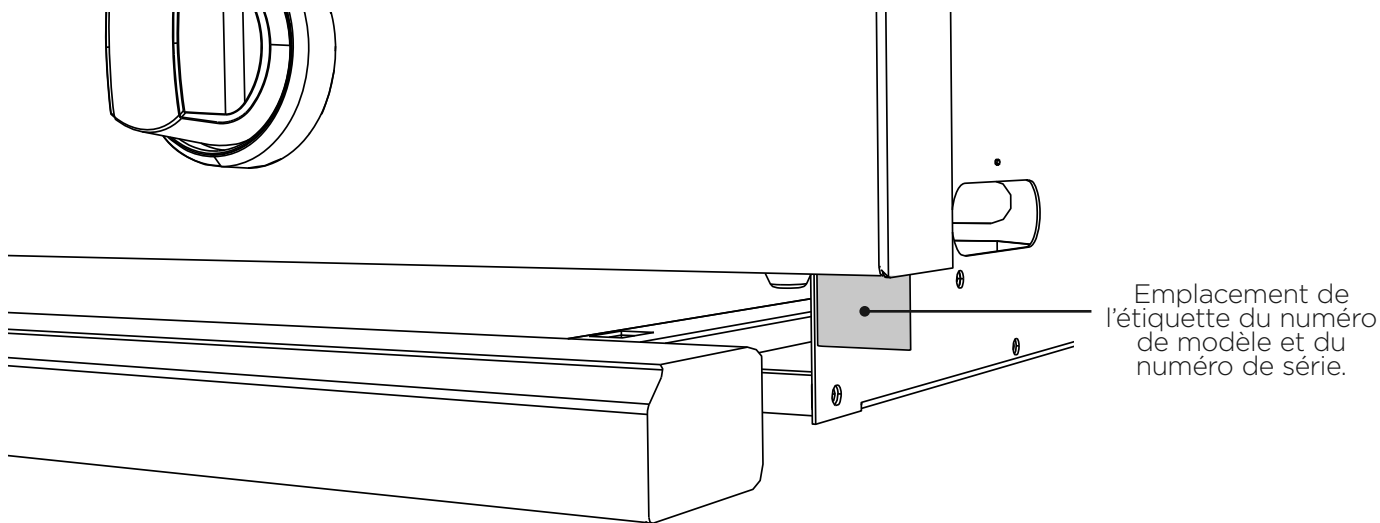
Remarque: pour les modèles BH1-48RGI et BH1-36RGI consultez le Guide de démarrage rapide pour obtenir des informations sur l'installation de la plaque chauffante et infrared Burner hybride.

INSTALLATION

✓ Liste de contrôle de l'installateur

- | | | |
|---|---|--|
| <input type="checkbox"/> Respect des dégagements spécifiés pour les combustibles. | <input type="checkbox"/> Chaque brûleur s'allume correctement, que ce soit seul ou avec le brûleur adjacent allumé. | <input type="checkbox"/> Appareil testé et exempt de fuites. |
| <input type="checkbox"/> Ventilation des enceintes vérifiée. | <input type="checkbox"/> Obturateurs d'air réglés. | <input type="checkbox"/> Utilisateur informé de l'emplacement du robinet d'arrêt de l'alimentation en gaz. |
| <input type="checkbox"/> Emballage interne retiré. et tout le résidu adhésif enlevé (pour les résidus tenaces, utilisez l'alcool dénaturé ou un solvant adhésif disponible dans le commerce). | <input type="checkbox"/> Réglage de flamme faible satisfaisant. | <input type="checkbox"/> Tous les radiants sont assemblés et mis en place. |
| <input type="checkbox"/> Supports d'expédition retirés. | <input type="checkbox"/> Ramasse-gouttes mis en place correctement et glissant librement. | <input type="checkbox"/> Vérifiez l'allumage avec une allumette. |
| <input type="checkbox"/> Boutons tournant librement, cadrans centrés. | <input type="checkbox"/> Régulateur de pression connecté et réglé pour 4,0 po C.E. (gaz naturel) ou 11,0 po C.E. (gaz propane). | <input type="checkbox"/> Veillez laisser ces instructions à l'utilisateur. |
| <input type="checkbox"/> Pile d'allumage installée. | <input type="checkbox"/> Robinet d'arrêt manuel installé et accessible. | <input type="checkbox"/> Utilisateur, veuillez conserver ces instructions à titre de référence. |

Si un des articles indiqués manque, contactez DCS au (888) 936-7872. Veuillez avoir le numéro de modèle, le numéro de série et la description du produit dont vous avez fait l'achat à portée de la main.



IMPORTANT!

Lisez toutes les instructions d'installation figurant dans ce manuel pour voir si l'unité a été correctement installée. Si celle-ci n'a pas été faite ou n'a pas été faite correctement, rectifiez-la avant d'utiliser l'unité.

Instructions d'allumage

Pour allumer le brûleur du gril

IMPORTANT!

Ouvrez le couvercle du gril et/ou retirez le couvercle de la grille supérieure du brûleur latéral (pour BH1-48RS) avant d'allumer. Mettez tous les boutons sur « OFF ». Ouvrez l'alimentation en gaz. Si vous sentez une odeur de gaz, fermez le gaz et appelez le service technique.

Instructions d'allumage du gril

Le bouton du gril est raccordé au module d'allumage électronique. Enfoncer le bouton du gril activera le module d'allumage pour obtenir une étincelle. Enfoncez puis tournez le bouton du brûleur choisi à la position « SEAR/Hi ». Si le brûleur ne s'allume pas après quatre ou cinq secondes, mettez le bouton sur « OFF » et patientez cinq minutes avant d'essayer de nouveau, afin de laisser le temps au gaz accumulé de se dissiper.

Allumage du gril à l'allumette

Si le brûleur ne s'allume pas après plusieurs tentatives, utilisez des allumettes. Si vous venez de faire une tentative à l'aide du bouton d'allumage, patientez cinq minutes afin de laisser le gaz accumulé se dissiper. Éloignez toujours le visage le plus possible d'appareil d'extérieur, puis placez une allumette de poche sur l'orifice situé en haut à gauche (brûleur de gauche) ou à droite (brûleur de droite); voir les figures 14. Enfoncez et tournez le bouton de réglage centré sur le brûleur où se trouve l'allumette, sur « SEAR ». Si le brûleur ne s'allume pas en moins de quatre secondes, fermez le bouton, patientez cinq minutes, puis essayez de nouveau.

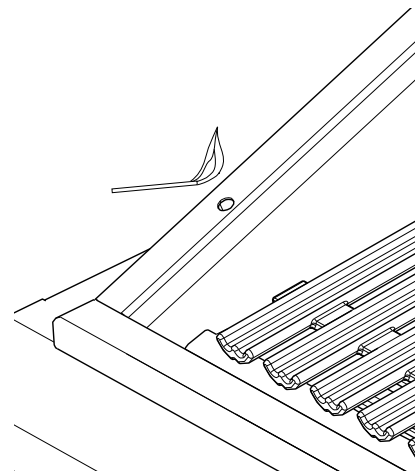


FIG. 14

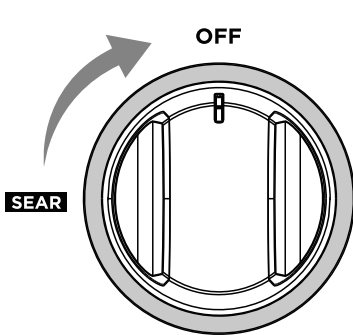
IMPORTANT!

Des procédures d'éclairage inadéquates peuvent entraîner l'activation du contrôle du débit du réservoir de GPL, ce qui réduit la production de chaleur. Si cela est suspecté, le contrôle de flux devra être réinitialisé. Pour les modèles BH1-48RGI et BH1-36RGI, consultez le Guide de démarrage rapide pour savoir comment utiliser la plaque chauffante et le brûleur hybride infrarouge.

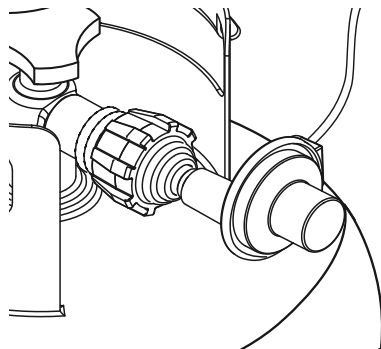
Réinitialiser le contrôle de flux

IMPORTANT!

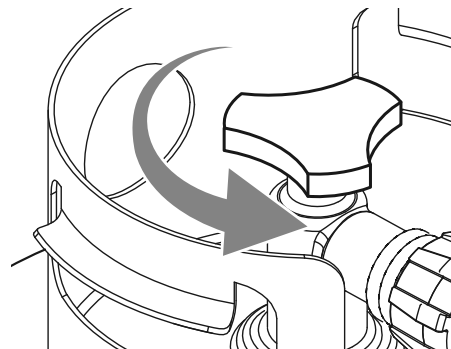
Ne pas suivre les étapes dans l'ordre indiqué risque d'entraîner une activation du dispositif de limitation du débit et de provoquer un débit de gaz extrêmement faible et un mauvais fonctionnement.



- ① Tous les boutons doivent être en position OFF.



- ② Attacher l'ensemble du tuyau de détendeur à la bouteille.



- ③ ouvrir le robinet de la bouteille de propane (de deux tours complets au minimum).

UTILISATION DU GRIL

Lighting Instructions

Pour allumer des brûleurs latéraux doubles (Modèles 48BQR seulement)

IMPORTANT!

Le couvercle du brûleur latéral est peut-être chaud si les brûleurs du gril sont en fonctionnement.

Instructions d'allumage des brûleurs latéraux

Le bouton du gril est raccordé au module d'allumage électronique. Enfoncer le bouton du gril activera le module d'allumage pour obtenir une étincelle. Enfoncez puis tournez le bouton du brûleur choisi à la position « HI ». Si le brûleur ne s'allume pas après quatre ou cinq secondes, mettez le bouton sur « OFF » et patientez cinq minutes avant d'essayer de nouveau, afin de laisser le temps au gaz accumulé de se dissiper. Si le brûleur ne s'allume pas après plusieurs tentatives, consultez la section de dépannage à la page 37.

Allumage des brûleurs latéraux avec une allumette

Tenez une allumette de poche allumée près des ports du brûleur et tournez le bouton de réglage dans le sens antihoraire pour le mettre sur « HI ». Retirez la main dès que le brûleur s'allume. Mettez le bouton de réglage sur le niveau désiré.

Remarque: il se peut qu'un léger crépitement ou flash se produise au niveau des ports de brûleur quelques secondes après que le brûleur soit éteint. Ce bruit d'extinction est normal dans le cas du gaz propane.

Brûleurs latéraux

Votre nouvel appareil est équipé de brûleurs similaires à ceux que l'on utilise dans les restaurants. Ces brûleurs sont conçus pour être extrêmement faciles à nettoyer et régler. Ne faites jamais fonctionner le brûleur sans son capuchon (Fig. 16).

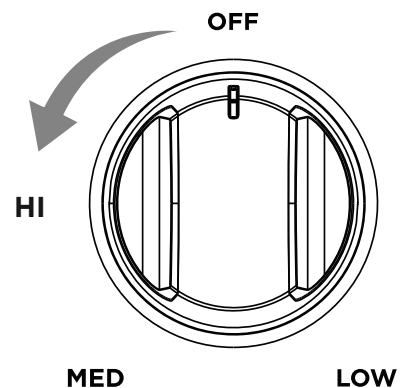


FIG. 15

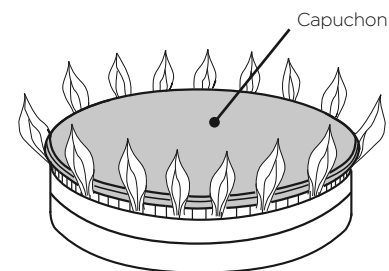


FIG. 16

Cuisson sur gril

Grill

Chaque section du gril consiste en un gros brûleur en acier inoxydable, une série d'écrans thermiques en acier inoxydable, une série de tiges en céramique encastrées dans une radiant en acier inoxydable, et une grille adiabatique en acier inoxydable. Chaque brûleur est prévu pour 25 000 BTU/hr or 26.3MJ/h. Sous chaque brûleur se trouve un écran thermique en acier inoxydable qui réfléchit la chaleur utile vers le haut, vers la zone de cuisson, et réduit la température du ramasse-gouttes vers le bas. Au-dessus des brûleurs se trouvent des radiants en acier inoxydable qui entourent les tiges en céramique et protègent les ports du brûleur de tout blocage potentiel (figure 17).

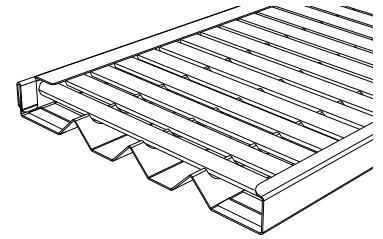


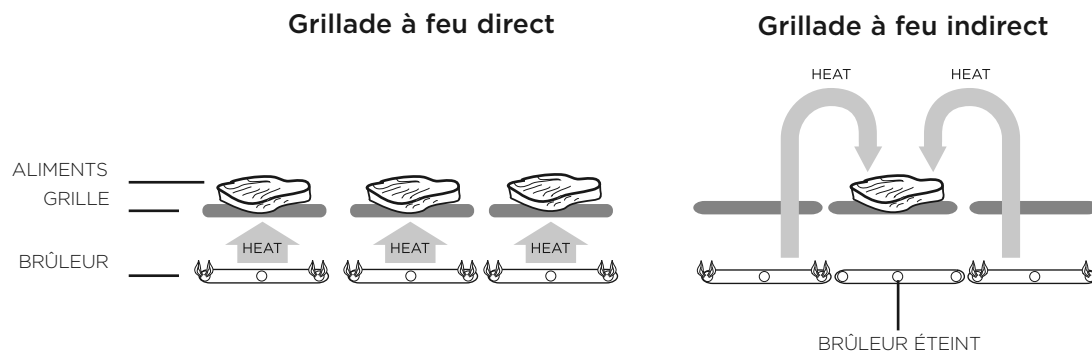
FIG. 17

Le gril est livré avec des tiges en céramique. Du fait de la porosité des tiges en céramique, leur rendement est meilleur car elles peuvent mieux capturer la chaleur émanant des brûleurs du gril. Les tubes possèdent aussi la masse thermique nécessaire pour assurer une performance de cuisson uniforme. Les éruptions de flammes sont contrôlées du fait que les tiges en céramique rayonnantes empêchent la graisse d'atteindre les flammes et de prendre feu. La chaleur intense engendrée par ce système produit une vraie saveur de grillade car les matières grasses et les jus sont amenés à la surface des aliments et caramélisés. La décoloration des grilles est normale après utilisation.

Remarques sur la cuisson directe/indirecte

La cuisson directe implique de placer les aliments sur les grilles sur les brûleurs allumés. Utilisez cette méthode pour les aliments qui prennent moins de 20 minutes à cuire ou pour saisir des aliments plus gros au début de la cuisson qui seront alors cuits indirectement pour finir. Placez les aliments sur la surface préchauffée et laissez-les jusqu'à ce qu'ils ne collent plus. Les retourner trop tôt ou trop souvent est l'une des erreurs de grill les plus courantes. Ne vaporisez jamais d'eau sur le gril ou dans la graisse. Le Grease Management System™ breveté réduit les flammes en canalisant la graisse à l'écart de la flamme. Utilisez un thermomètre pour viande pour obtenir la cuisson désirée et retirez les aliments un degré inférieur à la manière dont vous les appréciez étant donné que la période de repos avant de découper ou de consommer augmentera la température.

La méthode de cuisson indirecte est une alternative répandue par rapport à la méthode directe. Elle consiste à utiliser la chaleur provenant des brûleurs adjacents pour cuire les aliments, ce qui évite souvent de les cuire ou braiser excessivement. Les aliments les plus appropriés pour ce type de cuisson comprennent les pains et les morceaux plus épais de poulet ou de steak. La cuisson indirecte implique de placer les aliments sur les grilles lorsque les brûleurs en dessous ne sont pas allumés et de fermer le couvercle du gril pour créer un effet de four. Tous les aliments que vous rôtissez normalement au four peuvent être grillés à perfection avec la méthode de chauffage indirect. Préchauffez les brûleurs entourant les aliments à cuire. Utilisez le gril pour maintenir les aliments et ajoutez de l'eau dans le plat pour empêcher les jus naturels de brûler ou de s'évaporer.



IMPORTANT!

- **Traiter les grilles avant la première utilisation, puis périodiquement si nécessaire. Ce sera de les protéger contre corrosion et aider à arrêter de coller alimentaire.**
- **Fumée risque d'être visible pendant le préchauffage.**
- **La cuisson sur gril exige un feu vif pour rôtir les aliments et les braiser correctement. La plupart des aliments sont cuits à feu « MEDIUM » à « LOW » pendant tout le temps de cuisson. Pour les aliments cuits pendant une longue durée ou arrosés d'une marinade sucrée, il est bon de réduire le feu vers la fin du temps de cuisson.**

UTILISATION DU GRIL

Cuisson sur gril

- ① Vérifiez que le ramasse-gouttes et le récipient à graisse sont en place.
- ② Allumez les brûleurs du gril conformément aux instructions.
- ③ Une fois que vous avez vérifié que les brûleurs sont allumés, abaissez le couvercle pour préchauffer. Préchauffez le gril pendant 5 à 10 minutes.
- ④ Placez les aliments sur le gril et faites-les cuire jusqu'à obtenir le degré de cuisson désiré. Réglez le niveau du feu au besoin. Le bouton de réglage peut être réglé à n'importe quelle position entre « SEAR » et « LOW »; la cuisson sur gril se fait généralement entre les niveaux « MEDIUM » à « LOW ».
- ⑤ Lorsque vous terminez d'utiliser le gril, mettez les boutons des brûleurs sur « OFF » et fermez en gaz.
- ⑥ Laissez le gril refroidir et nettoyez après chaque utilisation.

Remarque: si vous utilisez du propane, le temps de préchauffage peut être plus court que celui recommandé. Pour éviter de trop cuire ou de brûler les aliments, réduisez le feu.



Utilisation de la jauge de température

Lorsque de préchauffer le gril, utiliser la jauge de température dans le couvercle pour vérifier si le gril a atteint la température désirée.

Remarque: la jauge de température indique que la température de l'air à l'intérieur du gril. Pour la sécurité des aliments et des performances optimales de cuisson, utiliser une sonde à viande pour vérifier la température de la viande pendant la cuisson et pour assurer des températures internes désirées sont atteintes.

Grilles double face

Les grilles double face offrent des surfaces variées pour des textures variées. Le côté en forme de W crée de belles lignes de grillade pour les steaks et le poulet et éloigne l'huile et la graisse des aliments. Le côté arrondi offre plus de superficie pour supporter et manipuler les aliments délicats tels que les coquilles Saint-Jacques (voir ci-dessous une liste d'exemples).

GRILLE EN FORME DE « W » 	GRILLE ARONDIE 
• Poulet (morceaux avec os et désossés)	• Filets de poisson délicats
• Steaks	• Chair de homard
• Côtelettes	• Crevettes
• Hamburgers	• Coquilles saint-jacques
• Côtes	• Palourdes
• Brochettes	• Moules
• Darnes de poisson (thon et espadon par ex.)	• Cochon de lait
• Poisson entier	• Cuisses de dinde
• Gibier	• Cuisson et fumage indirects
• Huîtres	• Pommes de terre
• Grandes tranches de légumes et de champignons	• Petits légumes ou tranches
• Fruit	• Poivrons grillés
• Pain	• Ail entier rôti
• Saucisses	• Pâte à pizza et pains plats
• Hot-dogs	• Beignets de crabe

Grillage

La cuisson de la viande, qu'elle soit rare, moyenne ou bien faite, peut dépendre de l'épaisseur de la coupe. Le temps de cuisson de la viande dépend du type de viande, de la taille, de la forme et de la coupe ainsi que de la température de la viande au début de la cuisson. Les chefs experts disent qu'il est impossible d'avoir une cuisson rare avec une fine coupe de viande. Lors de la décongélation des viandes, il est recommandé de décongeler pendant la nuit au réfrigérateur plutôt qu'au micro-ondes. Cela garantira que la viande conserve ses jus. Utilisez une spatule à la place d'une pince ou d'une fourchette pour retourner la viande, car une spatule ne perfore pas la viande et laisse le jus s'écouler. Pour obtenir les viandes les plus juteuses, ajouter l'assaisonnement ou le sel après la cuisson et retourner la viande une seule fois (les jus sont perdus lorsque la viande est tournée plusieurs fois). Tournez la viande juste après que le jus commence à bouillonner à la surface. Coupez tout excès de graisse de la viande avant de la faire cuire. Pour éviter que les biftecks et les côtelettes ne se fritent pendant la cuisson, coupez la graisse autour des bords à intervalles de deux pouces.

Les coupes, les températures, les poids et les temps de cuisson dans les tableaux suivants sont destinés à servir de guide. Des facteurs environnementaux tels que le vent, la température extérieure et l'altitude peuvent avoir une incidence sur les temps de cuisson et devraient donc être pris en compte. La définition de la cuisson moyenne de l'USDA est utilisée pour les temps de cuisson du bœuf et de l'agneau, sauf indication contraire. Avant de découper, laissez les rôtis et les autres grosses pièces de viande (y compris les steaks épais) reposer pendant 5 à 10 minutes après la cuisson. La température interne augmentera légèrement pendant ce temps.

Pour la cuisson indirecte, nous suggérons de placer la viande dans la zone de cuisson secondaire dans la position inférieure ou supérieure selon la taille et la température désirée.

Tableau de cuisson - Gril principal

DU BOEUF:

TYPE D'ALIMENTATION		ÉPAISSEUR	POIDS	MÉTHODE	TEMP CONTRÔLE CADRAN	APPROX TIME (HRS/MINS)
Bifteck	New York Strip	1 po Épais		Direct	Forte Chaleur	4-8 min
	Porterhouse	1 po Épais		Direct	Forte Chaleur	6-8 min
	Rib-Eye	1 po Épais		Direct	Forte Chaleur	6-8 min
	T-Bone	1 po Épais		Direct	Forte Chaleur	6-8 min
Paté de boeuf haché			5 oz	Direct	Faible - Moyen Chaleur	10-14 min
Fajitas		3/4 po Épais	3 lb	Direct	Faible - Moyen Chaleur	20 min
Côte de doigt			2 lb	Direct/Indirect	Faible - Moyen Chaleur	1-2 heures
Pointe de poitrine			3-5 lb	Direct/Indirect	Faible Chaleur	2-3 heures

AGNEAU:

TYPE D'ALIMENTATION		ÉPAISSEUR	POIDS	MÉTHODE	TEMP CONTRÔLE CADRAN	APPROX TIME (HRS/MINS)
Hacher		1 po Épais		Direct	Forte chaleur	4-8 min
Gigot d'agneau rôti			3-7 lb	Direct/Indirect	Faible Chaleur	2-3 heures
Carré d'agneau			1-2 lb	Direct/Indirect	Faible - Moyen Chaleur	15-20 min

PORC:

TYPE D'ALIMENTATION		ÉPAISSEUR	POIDS	MÉTHODE	TEMP CONTRÔLE CADRAN	APPROX TIME (HRS/MINS)
Hot-dog			2-4 oz	Direct/Indirect	Faible Chaleur	5 min
Bratwurst			4 oz Link	Direct/Indirect	Faible Chaleur	10-15 min
Côtes: Bébé Retour			3-5 lb	Direct/Indirect	Faible Chaleur	3-4 heures
Côtes levées de rechange			3-5 lb	Direct/Indirect	Faible Chaleur	4-6 heures
Boston Butt / épaule			3-7 lb	Direct/Indirect	Faible Chaleur	4-6 heures

UTILISER LE GRIL

Grillage

Tableau de cuisson - Gril principal

LA VOLAILLE:

TYPE D'ALIMENTATION		ÉPAISSEUR	POIDS	MÉTHODE	TEMP CONTRÔLE CADRAN	APPROX TIME (HRS/MINS)
Poitrine de poulet	Sans os		6 -7 oz	Direct/Indirect	Faible- Moyen Chaleur	10-12 min
Cuisse de poulet	Sans os		3-5 oz	Direct/Indirect	Faible - Moyen Chaleur	10-12 min
Poulet Entier			3-5 lb	Indirect/Rotisserie	Moyen Chaleur	1-2 heures
Canard Entier			3-5 lb	Indirect/Rotisserie	Moyen Chaleur	1-2 heures
Dinde Entiere			10-12 lb	Indirect/Rotisserie	Moyen Chaleur	2-3 heures

FRUIT DE MER:

TYPE D'ALIMENTATION		ÉPAISSEUR	POIDS	MÉTHODE	TEMP CONTRÔLE CADRAN	APPROX TIME (HRS/MINS)
Filet de poisson / bifteck:	Flétan	½ -1 po Épais		Direct	Moyen Chaleur	6-10 min
	Snapper	½ -1 po Épais		Direct	Moyen Chaleur	6-10 min
	Saumon	½ -1 po Épais		Direct	Moyen Chaleur	6-10 min
	Loup de mer	½ -1 po Épais		Direct	Moyen Chaleur	6-10 min
	Espadon	½ -1 po Épais		Direct	Moyen Chaleur	6-10 min
	Thon	½ -1 po Épais		Direct	Moyen Chaleur	6-10 min
	Truite	½ -1 po Épais		Direct	Moyen Chaleur	6-10 min
Crevette			2-4 oz	Direct	Moyen Chaleur	4-5 min
Poisson entier			3-5 lb	Indirect	Faible-Moyen Chaleur	20-30 min

DES LÉGUMES:

TYPE D'ALIMENTATION		ÉPAISSEUR	POIDS	MÉTHODE	TEMP CONTRÔLE CADRAN	APPROX TIME (HRS/MINS)
Aubergine		1 po Épais Tranches		Direct	Moyen Chaleur	4-6 min
Asperges		½ po Tige Diamètre		Direct	Moyen Chaleur	4-6 min
Maïs en épi		Entier		Direct/Indirect	Moyen Chaleur	20-25 min
Champignon - Portobello		Entier		Direct	Moyen Chaleur	8-10 min
Oignon		½ po Épais Tranches		Direct	Moyen Chaleur	10-12 min
Poivrons		Moitié		Direct	Moyen Chaleur	8-10 min
Patate		½ po Épais Tranches		Direct	Moyen Chaleur	10-15 min
Tomate		Moitié		Direct	Moyen Chaleur	4-6 min
Courgette		1 po Épais Tranches		Direct	Moyen Chaleur	4-6 min
Patate douce		1 po Épais Tranches		Direct	Moyen Chaleur	10-12 min

FRUIT:

TYPE D'ALIMENTATION		ÉPAISSEUR	POIDS	MÉTHODE	TEMP CONTRÔLE CADRAN	APPROX TIME (HRS/MINS)
Bananes		Moitié		Direct	Faible Chaleur	5-6 min
Les pêches		Moitié		Direct	Faible Chaleur	6-8 min
Abricots		Moitié		Direct	Faible Chaleur	6-8 min
Nectarines		Moitié		Direct	Faible Chaleur	6-8 min
Ananas		½ po Épais Tranches		Direct	Faible Chaleur	5-6 min

Grillage

Tableau de cuisson - Fumeur

DU BOEUF:

TYPE D'ALIMENTATION	ÉPAISSEUR	POIDS	MÉTHODE	TEMP CONTRÔLE CADRAN	APPROX TIME (HRS/MINS)
Pointe de poitrine		4-6 lb	Indirect	Faible Chaleur	6-8 heures

AGNEAU:

TYPE D'ALIMENTATION	ÉPAISSEUR	POIDS	MÉTHODE	TEMP CONTRÔLE CADRAN	APPROX TIME (HRS/MINS)
Gigot d'agneau rôti		3-7 lb	Direct/Indirect	Faible Chaleur	2-3 heures

PORC:

TYPE D'ALIMENTATION	ÉPAISSEUR	POIDS	MÉTHODE	TEMP CONTRÔLE CADRAN	APPROX TIME (HRS/MINS)
Côtes: Bébé Retour		3-5 lb	Indirect	Faible Chaleur	4-5 heures
Côtes levées de rechange		3-5 lb	Indirect	Faible Chaleur	5-6 heures
Boston Butt / épaule		3-7 lb	Indirect	Faible Chaleur	6-8 heures

POULTRY:

TYPE D'ALIMENTATION	ÉPAISSEUR	POIDS	MÉTHODE	TEMP CONTRÔLE CADRAN	APPROX TIME (HRS/MINS)
Poulet Entier		3-5 lb	Indirect	Faible Chaleur	2-4 heures
Canard Entier		3-5 lb	Indirect	Faible Chaleur	2-4 heures
Dinde Entier		10-12 lb	Indirect	Faible Chaleur	8-10 heures

FRUIT DE MER:

TYPE D'ALIMENTATION	ÉPAISSEUR	POIDS	MÉTHODE	TEMP CONTRÔLE CADRAN	APPROX TIME (HRS/MINS)
Filet de poisson / bifteck:	Saumon	½ -1 po Épais	Indirect	Faible Chaleur	1 heure
	Espadon	½ -1 po Épais	Indirect	Faible Chaleur	1 heure
	Thon	½ -1 po Épais	Indirect	Faible Chaleur	1 heure
	Truite	½ -1 po Épais	Indirect	Faible Chaleur	1 heure
	Maquereau	½ -1 po Épais	Indirect	Faible Chaleur	1 heure
Crevette		2-4 oz	Indirect	Faible Chaleur	1 heure
Poisson Entier		3-5 lb	Indirect	Faible Chaleur	3-4 heures

DES LÉGUMES:

TYPE D'ALIMENTATION	ÉPAISSEUR	POIDS	MÉTHODE	TEMP CONTRÔLE CADRAN	APPROX TIME (HRS/MINS)
Aubergine	1 po Épais Tranches		Indirect	Faible Chaleur	1 heures
Maïs en épi	Entier		Indirect	Faible Chaleur	1 ½ heure
Champignon - Portobello	Entier		Indirect	Faible Chaleur	1 ½ heures
Oignon	Entier/moitié		Indirect	Faible Chaleur	2 heures
Poivrons	Entier/moitié		Indirect	Faible Chaleur	1 ½ heures
Patate	Entier/moitié		Indirect	Faible Chaleur	2 heures
Tomate	Entier/moitié		Indirect	Faible Chaleur	45 minutes
Courgette	divisé en deux		Indirect	Faible Chaleur	1 heures
Patate Douce	Entier/moitié		Indirect	Faible Chaleur	2 heures

UTILISER LE GRIL

Grillage

Températures de la viande

La température "Remove" sur la gauche est la température cible à retirer de la source de chaleur. La température "idéale" à droite est la température interne idéale après repos. Ces températures sont toutes Fahrenheit. Notez que ce ne sont pas des recommandations de l'USDA. Les températures de l'USDA sont prudemment supérieures de 10° à 15° en raison de la salubrité des aliments, mais la plupart des chefs professionnels ne cuisent pas un steak mi-saignant à 150° F.

TYPE D'ALIMENTATION	SAIGNANT		MOYEN-SAIGNANT		MOYEN		MOYEN-BIEN	
	REMOVE	IDEAL	REMOVE	IDEAL	REMOVE	IDEAL	REMOVE	IDEAL
Du boeuf bifteck	125°	130°	130°	135°	140°	145°	155°	160°
Du boeuf Rôtis	120°	125°	125°	130°	135°	145°	150°	160°
Agneau Côtelettes	125°	130°	130°	135°	135°	145°	155°	160°
Agneau Rôtis	120°	130°	125°	130°	135°	145°	150°	160°
Porc Côtelettes			125°	130°	135°	140°	145°	150°
Porc Rôtis			125°	130°	135°	140°	145°	150°
Veau Côtelettes			130°	135°	140°	145°	155°	160°
Veau Rôtis			125°	130°	135°	145°	150°	160°

TYPE D'ALIMENTATION	TEMPS DE REPOS	RETIRER	TEMPÉRATURE INTERNE IDÉALE
Poulet Entier - Rôti	5 minutes	160° - 165°	165°- 170°
Dinde Entier - Rôti*	20-60 minutes	150° - 170°	165° - 170°

* Dinde peut prendre 60 minutes de repos avec un décalage de température de 20° ou plus

Le système à fumeur de chaque gril consiste en un plateau coulissant en acier inoxydable positionné au-dessus d'un brûleur de 3 500 BTU/hr 3.7MJ/h. Le brûleur est contrôlé par une valve en laiton de précision capable d'être réglée à très bas niveau de chaleur. Ce système peut être utilisé seul, pour rôtir ou fumer les aliments à basse température, ou conjointement avec d'autres brûleurs. Si vous utilisez le système à fumeur parallèlement au brûleur de rôtissoire à infrarouge en option, il serait utile de mettre le brûleur à fumeur sur feu doux afin de minimiser la quantité de chaleur émanant de la cuvette d'arrosage de la rôtissoire. Le fait d'étaler la viande à l'écart du brûleur à fumeur aide également.

Ne retirez pas complètement le plateau à fumeur lorsqu'il est chaud, afin de minimiser les risques de brûlure.

Pour allumer le brûleur à fumeur

Ouvrez le couvercle et retirez le plateau du fumeur. Repérez le brûleur de visu en regardant à travers la découpe dans le panneau des valves. Enfoncez le bouton d'allumage et tournez le bouton de réglage à la position « HI », jusqu'à ce que le brûleur s'allume. Si le brûleur ne s'allume pas, patientez cinq minutes avant d'essayer de nouveau, afin de laisser le temps au gaz accumulé de se dissiper. S'il ne s'allume pas après plusieurs tentatives, attendez cinq minutes, et allumez avec une allumette à travers la découpe dans le panneau de valves. Une fois le brûleur allumé, remplissez le plateau et remettez-le en place.

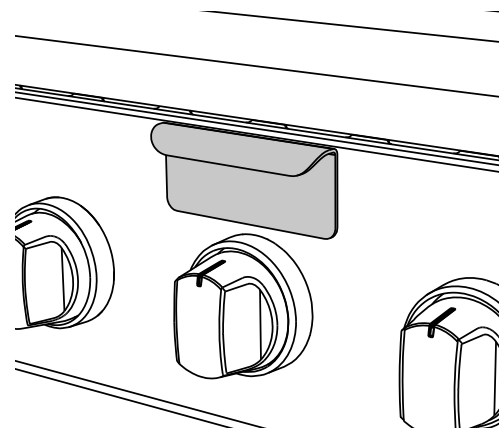


FIG. 18

Copeaux de bois

On trouve toute sorte de copeaux de bois sur le marché et leur choix dépend des goûts de chacun. Les plus courants sont en mesquite ou hickory. Le mesquite a un goût plus doux et est fréquemment utilisé avec le poulet et les fruits de mer. L'hickory est plus approprié pour les viandes rouges. On utilise aussi fréquemment le chêne, le cerisier, l'érable, le tremble ou le pommier. On peut également employer des herbes aromatiques telles que la sauge, le laurier, le thym ou le basilic. Pour commencer, mettez le feu sur « HI » pour faire fumer les copeaux, puis mettez-le sur feu doux pour éviter d'assécher les copeaux et de les mettre à feu. Si les copeaux prennent feu, ajoutez un peu d'eau pour éteindre la flamme. Faites-le avec précaution à travers le haut de la grille ou en tirant légèrement sur le plateau. Soyez prudent lorsque vous ajoutez de l'eau à un plateau chaud, pour ne pas être brûlé par la vapeur, et ne le retirez jamais complètement. Pour fumer des aliments, le couvercle doit toujours rester fermé autant que possible pour maximiser l'effet. Il est normal d'ajouter des copeaux de bois plusieurs fois quand on fait rôtir des aliments pendant une longue durée.

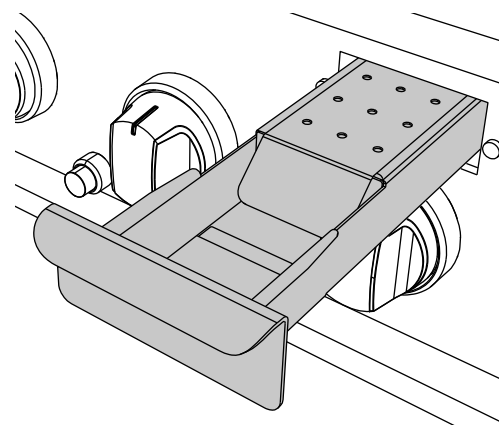


FIG. 19

Votre fumeur est livré avec un couvercle amovible fumeur. Pour de meilleurs résultats nous recommandons d'utiliser le couvercle du fumeur.

UTILISATION DE LA RÔTISSOIRE

Le système de rôtissoire de gril est conçu pour cuire les aliments par l'arrière, au moyen d'une chaleur à infrarouge. L'emplacement du brûleur permet de placer la cuvette d'arrosage de la rôtissoire (incluse) sous les aliments afin de recueillir les jus et les gouttes qui serviront à arroser la nourriture et faire des sauces. Vous pouvez ajouter des herbes, de l'oignon, de l'ail ou des épices pour parfumer le contenu de la cuvette d'arrosage. L'ajout de tranches d'ananas et de sucre brun donne un résultat particulièrement délicieux avec le jambon. Le brûleur de rôtissoire est de type à infrarouge et fournit une chaleur radiante pour cuisson à haute température. Privilégiée par les chefs par rapport à d'autres méthodes, cette chaleur intense s'avère idéale pour cuire les aliments dans les jus et nutriments naturels que l'on trouve dans des morceaux de viande de choix.

Une fois allumé, le brûleur de la rôtissoire atteint sa température de cuisson en un minute environ. La lueur orange/rouge devient uniforme après cinq minutes. Le moteur de la rôtissoire comporte des engrenages métalliques et peut faire tourner jusqu'à 22 kg (50 lb) de viande ou de poulet. Le moteur de la rôtissoire est assujéti à un bloc moulé à l'aide de deux boutons vissables noirs. Le bloc est lui-même boulonné sur le panneau droit. Le tournebroche de la rôtissoire est installé dans l'ensemble moteur en plaçant l'extrémité pointue dans le moteur et en posant l'extrémité du manche sur le support, sur le côté gauche du gril. Le tournebroche étant enfoncé le plus loin possible dans le moteur, sa fin autour du rouleau doit reposer sur les roulettes.

Le moteur est équipé d'une ampoule halogène permettant d'éclairer si les autres sources d'éclairage s'avèrent insuffisantes. Pour une rechange, utilisez uniquement une ampoule halogène à faisceau étroit de 50 W ou équivalent maximum.

IMPORTANT!

Les lampes halogènes sont faites d'une ampoule de verre comportant un tube à filament interne pressurisé fonctionnant à températures élevées et pouvant éclater subitement. Si l'ampoule externe casse, des particules de verre extrêmement chaudes peuvent être relâchées dans l'enceinte du dispositif d'éclairage ou dans son environnement, créant ainsi un risque de blessures ou d'incendie. Avant de remplacer une ampoule, laissez-la refroidir et assurez-vous que le courant est coupé. Ne laissez jamais une ampoule chaude entrer en contact avec l'eau. NE TOUCHEZ PAS l'ampoule lorsqu'elle est allumée. Elle pourrait être suffisamment chaude pour vous blesser.

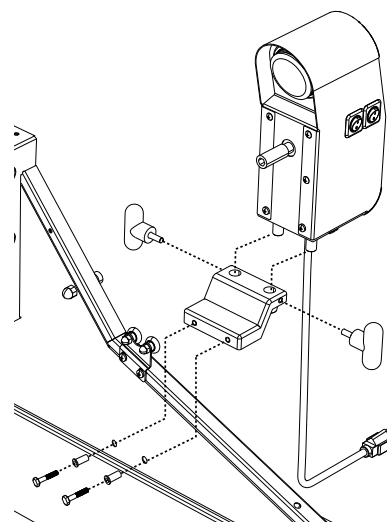


FIG. 20

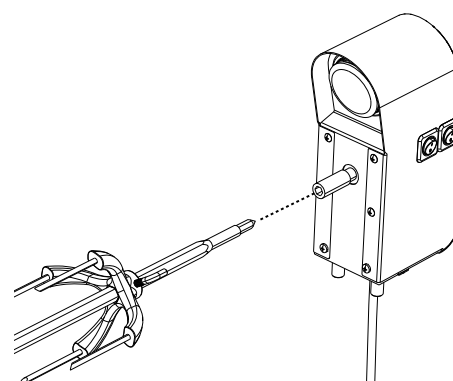


FIG. 21

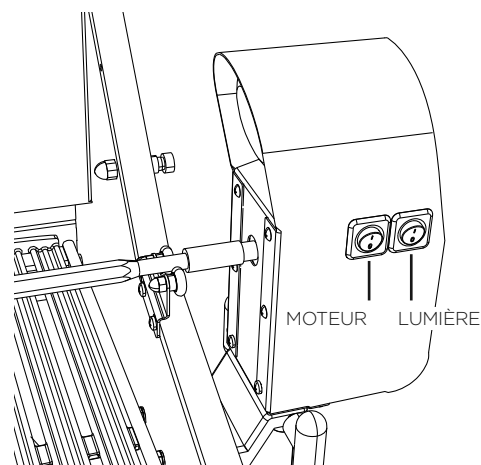


FIG. 22

IMPORTANT!

N'utilisez pas les brûleurs du grill lorsque le brûleur de la rôtissoire est allumé. Cela brûlerait la viande et la rendrait très sèche. Utilisez une section à la fois seulement, soit le grill, soit la rôtissoire.

Préparation

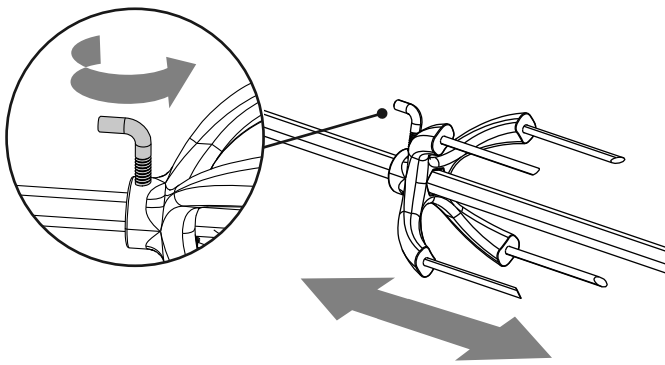
Recommandé: Soie dentaire ou corde de boucher, ciseaux, lèchefrite (fond seulement), pince, thermomètre instantané, papier aluminium et poignées isolantes.

Zone de travail

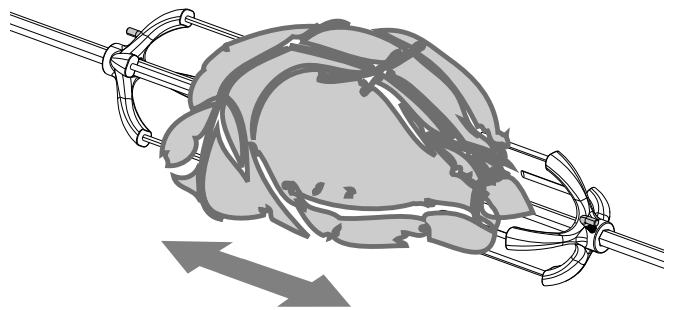
Prévoyez suffisamment d'espace pour accommoder les aliments et la rôtissoire dans un environnement propre.

Meat preparation

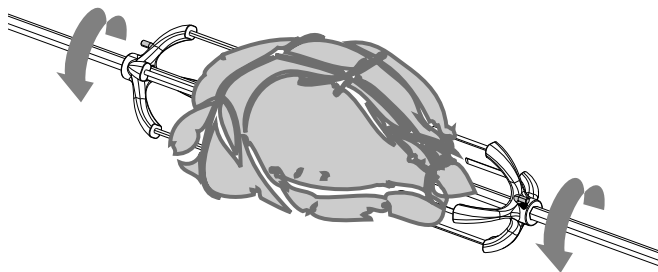
Ficelez la viande avec de la corde de boucher ou de la soie dentaire à trois endroits. Achetez un rôti qui soit de volume égal sur la partie supérieure et inférieure. La viande cuira de façon plus uniforme sur la rôtissoire. Si c'est de la volaille, ficelez les ailes et les cuisses au corps à l'aide de soie dentaire ou de corde de boucher pour éviter qu'elles ne se déplient durant la rotation.



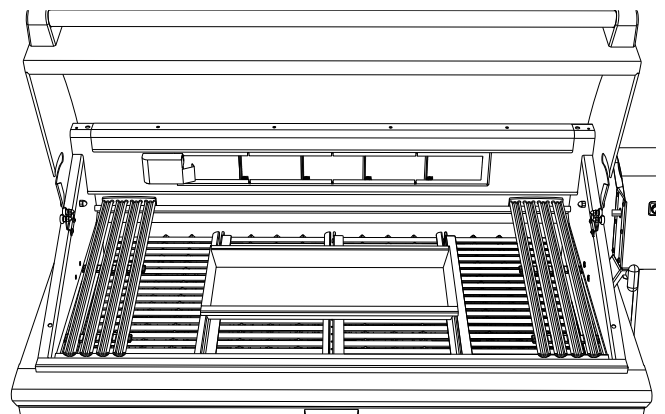
- ① Déterminez le centre de la pièce, placez les premières fourchettes sur le tournebroche et tournez la vis "en forme de L" pour serrer.



- ② Centrez la viande ou la volaille ficelée sur le tournebroche, placez les secondes fourchettes et tournez la vis "en forme de L" pour serrer.



- ③ Saisissez le tournebroche et tournez-le pour vérifier que le tout est équilibré. Si ce n'est pas le cas, ajustez les fourchettes et les aliments de façon à équilibrer le tout. Serrez à l'aide d'une pince la vis "en forme de L" des deux côtés des fourchettes.



- ④ Retirez au besoin les grilles et la grille supérieure du grill. Placez la partie inférieure du lèchefrite sur les tiges en céramique, de façon à récolter les gouttes provenant de la viande.

UTILISATION DE LA RÔTISSOIRE

Pour allumer le brûleur de rôtisserie avant de faire cuire

L'emplacement du brûleur de rôtisserie le rend plus susceptible aux vents forts que les brûleurs de gril qui sont protégés. Pour cette raison, évitez de faire fonctionner la rôtisserie s'il vente. Par mesure de sécurité supplémentaire, nous avons équipé le brûleur d'une valve de sécurité automatique qui ne laisse pas s'écouler le gaz vers le brûleur à moins que les conditions suivantes soient réunies quand le bouton est activé:

- ① Le bouton de la valve de sécurité est maintenu enfoncé.
- ② Le thermocouple de la valve de sécurité est suffisamment réchauffé pour garder la valve ouverte.

Ouvrez le couvercle. Enfoncez le bouton de brûleur et gardez-le ainsi. Vous devriez entendre un son sec. Mettez le bouton de réglage sur « HI ». Enfoncez le bouton de la valve de sécurité et gardez-le ainsi jusqu'à ce que le brûleur reste allumé. Une fois allumé, mettez le bouton de réglage sur le niveau désiré. Si le brûleur ne s'allume pas en moins de quatre ou cinq secondes, relâchez le bouton de la valve de sécurité et mettez le bouton de réglage sur « OFF », puis patientez cinq minutes avant d'essayer de nouveau.

- Si vous rallumez un brûleur déjà chaud, attendez cinq minutes.
- Ne laissez jamais le bouton de réglage allumé si la rôtisserie n'est pas utilisée.
- N'allumez jamais un brûleur de gril sous la rôtisserie alors que le brûleur de la rôtisserie est allumé.

Allumage manuel

Pour allumer manuellement la rôtisserie, placez un briquet à butane à l'extrémité du thermocouple tel qu'indiqué à la figure 23. Mettez le bouton de réglage sur « HI ». Maintenez le bouton de la valve de sécurité enfoncé pendant quatre à cinq secondes ou jusqu'à ce que le brûleur reste allumé. Une fois allumé, mettez le bouton de réglage sur le niveau désiré. Si le brûleur ne s'allume pas en moins de quatre ou cinq secondes, relâchez le bouton de la valve de sécurité et mettez le bouton de réglage sur « OFF », puis patientez cinq minutes avant d'essayer de nouveau.

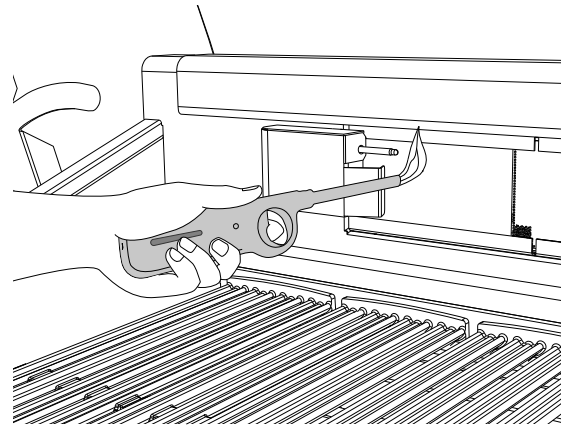


FIG. 23

IMPORTANT!

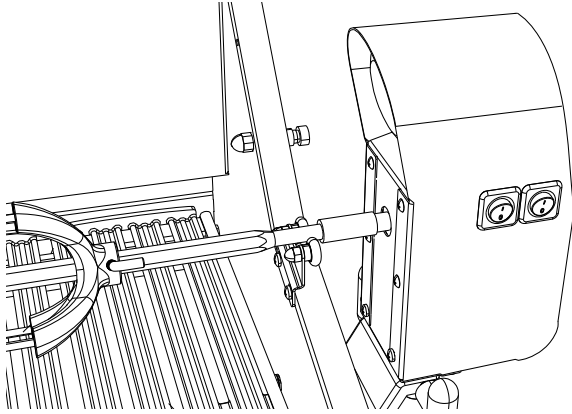
Gardez les mains et le visage éloignés de la partie avant du brûleur! Tenez-vous sur le côté lorsque vous allumez. Une fois que c'est allumé, retirez la main tout de suite.

IMPORTANT!

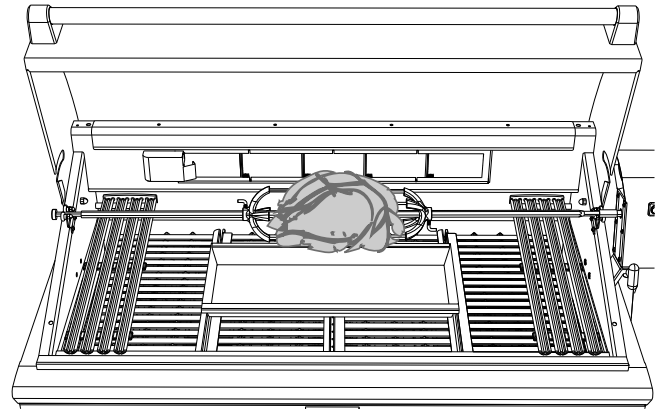
Instructions concernant la mise à la terre électrique: Cet appareil (moteur de rôtisserie) est équipé d'une fiche bipolaire avec terre pour vous protéger contre les risques d'électrocution. Elle doit être directement branché dans une prise triphasée correctement mise à la terre ou dans une rallonge triphasée mise à la terre prévu pour la puissance du moteur de la rôtisserie et homologué pour l'usage extérieur marquée W-A. Ne coupez pas ni ne retirez la broche de terre de cette fiche. Utiliser uniquement un circuit protégé par un interrupteur de défaut à la terre (GFI).

Le moteur doit être mis électriquement à la terre conformément aux codes en vigueur ou, en l'absence de tels codes, à la norme ANSI/NFPA 70-1990 du National Electrical Code (Code national de l'électricité). Gardez le cordon électrique du moteur de la rôtisserie à l'écart des parties chaudes du gril. Retirez le moteur et rangez-le dans un lieu sec lorsque vous ne l'utilisez pas. Pour protéger contre tout choc électrique, ne pas immerger le cordon ou la fiche dans l'eau ou tout autre liquide. Débrancher l'unité de rôtisserie de la prise quand elle n'est pas utilisée et avant de la nettoyer. Laisser la rôtisserie refroidir avant d'installer ou de retirer des pièces.

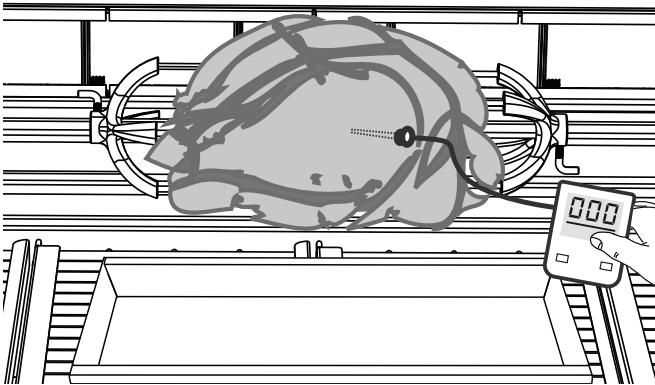
Cuisson sur la rôtissoire



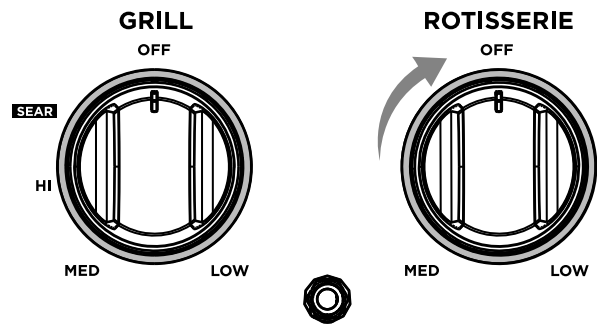
- ① Insérez le tournebroche préparé dans le moteur dans les rouleaux de l'autre côté.



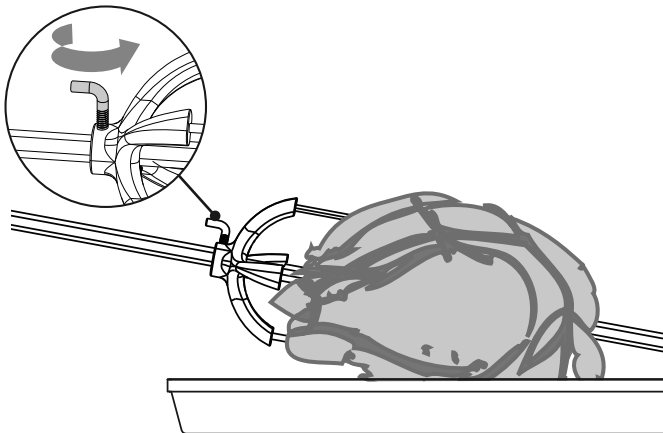
- ② Une fois le placement vérifié, allumez le brûleur et démarrez le moteur de la rôtissoire. Conservez la valve de rôtisserie sur le réglage désiré pour faire cuire toutes les viandes sur la rôtisserie.



- ③ Pour vérifier la température de la viande, éteignez le moteur et mettez la température sur bas niveau tout en utilisant le thermomètre instantané.



- ④ Lorsque vous terminez d'utiliser la rôtissoire, éteignez le moteur et mettez le bouton de la rôtissoire sur « OFF ». Si vous avez fini d'utiliser l'appareil, fermez l'alimentation en gaz aussi.



- ⑤ Retirez le tournebroche; utilisez les poignées isolantes et placez la viande ou la volaille sur le fond de la lèchefrite, puis enlevez les fourchettes.

IMPORTANT!

Les fourchettes sont très coupantes. Gardez les mains éloignées des extrémités lorsque vous retirez les aliments.

Remarque: recouvrez de papier aluminium pendant une période d'attente de 15 à 20 minutes. La viande sera plus facile à couper et le jus retournera dans la viande.

Remplacement de la pile d'allumage

IMPORTANT!

Vérifiez l'état de la pile au moins une fois par an.

- ① Retirez le ramasse-gouttes.
- ② Ouvrez la porte du chariot (modèle à chariot seulement).
- ③ Tirez la pile vers le bas (servez-vous d'une pince aubesoïn).
- ④ Remettez-la en place vers le haut et poussez jusqu'à entendre un déclic (la polarité est indiquée à la Fig. 24).

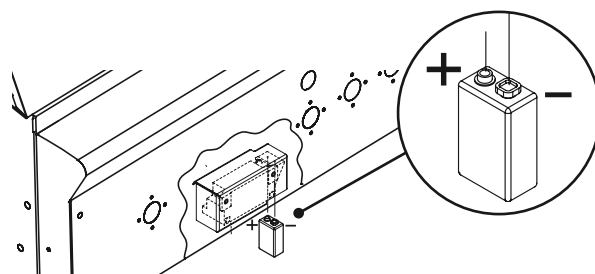


FIG. 24

Remplacement du régulateur et du tuyau

Vous devez utiliser le régulateur de pression et le tuyau fournis avec l'unité. Pour tout remplacement, contacter Service à la clientèle sur www.dcsappliances.com. N'utilisez pas le gril si vous sentez une odeur de gaz. S'il s'agit d'une unité à propane, vissez le régulateur dans la bouteille et vérifiez s'il y a des fuites au niveau des connexions du tuyau et du régulateur, à l'aide d'une solution d'eau savonneuse, avant de faire fonctionner le gril. Mettez tous les boutons sur « OFF », puis ouvrez le gaz. Si vous utilisez du propane, Vérifiez qu'il y a du gaz dans le réservoir.

IMPORTANT!

- **Éloignez toujours le visage et le corps le plus possible du gril lorsque vous allumez celui-ci.**
- **NE laissez PAS le gril sans surveillance pendant la cuisson.**
- **Conservez une bouteille d'eau savonneuse munie d'un vaporisateur près de la valve d'alimentation en gaz et vérifiez les connexions avant chaque utilisation.**
- **N'essayez pas d'allumer le gril si vous sentez une odeur de gaz.**
- **Attendez cinq minutes avant d'allumer de nouveau un gril chaud.**

Grilles du gril

Méthode 1

Allumez sur « HI » pendant 15-20 minutes pour brûler toute particule de nourriture restante. Après avoir éteint le gril, utilisez une brosse de barbecue à soies pour éliminer toute particule de nourriture restante ou cendre.

Méthode 2

La façon la plus facile de nettoyer le gril est de le faire juste après la cuisson, une fois le feu éteint. Portez un gant de barbecue pour vous protéger la main de la chaleur et de la vapeur. Trempez une brosse de barbecue en soies de laiton souple dans une solution de 2 tasses d'eau du robinet et de 1/2 tasse de vinaigre, et frottez le gril chaud. Trempez la brosse fréquemment dans le bol d'eau et de vinaigre. La vapeur produite au contact de l'eau avec le gril chaud facilite le nettoyage en ramollissant les particules d'aliments. Les particules tombent sur les tiges en céramique et brûlent ou atterrissent dans le ramasse-gouttes. Si vous laissez le gril refroidir avant le nettoyage, la tâche n'en sera que plus difficile.

Méthode 3

Prenez un morceau de papier alu d'environ 30 cm, froissez-le en boule et frottez-le sur les grilles refroidies pour libérer les particules d'aliments.

Remarque: les grilles du gril doivent être traitées de nouveau après le nettoyage pour éviter toute tâche de rouille.

Ramasse-gouttes et récipient à graisse

Le ramasse-gouttes à récipient à graisse recueille la graisse de la section gril et les débordements des brûleurs latéraux. Laissez-le et son contenu refroidir avant de le nettoyer. Nettoyez souvent la graisse du ramasse-gouttes pour éviter tout risque de feu de graisse.

Tiges en céramique

Il n'est pas nécessaire d'enlever les tiges en céramique pour le nettoyage. Elles s'auto-nettoient en brûlant pendant la cuisson suivante. Les plateaux qui soutiennent les tiges en céramique doivent périodiquement être retournés pour éliminer les débris qu'ils peuvent contenir. Il est nécessaire de nettoyer les plateaux dépend de votre fréquence d'utilisation du gril et de la quantité et du type de nourriture cuits. Si la graisse paraît sur le dessus des tubes ou si les flammes jaillissent souvent durant la cuisson, les tubes doivent être retournés et chauffés sur « HI » pendant 30 minutes, ou plus s'ils sont très sales.

Acier inoxydable

Le gril est fait d'acier inoxydable non magnétique. Après l'utilisation initiale, certaines parties du gril peuvent se décolorer à cause de la chaleur intense dégagée par les brûleurs. Ceci est normal. On trouve toute sorte de nettoyeurs pour acier inoxydable sur le marché. Employez toujours la méthode de nettoyage la plus douce au début, en frottant dans le sens du grain. Pour réparer des égratignures visibles à l'œil nu, frottez très légèrement avec du papier de verre 100, dans le sens du grain. Des taches de graisse peuvent s'accumuler et s'incruster sur les surfaces en acier inoxydable sous l'effet de la cuisson, ce qui peut ressembler à de la rouille. Pour les enlever, utilisez un tampon abrasif (Scotch Brite par exemple) conjointement avec un nettoyant pour acier inoxydable. Frottez toujours dans le sens du grain.

Remarque: l'acier inoxydable a tendance à se corroder en présence de chlorures et de sulfures, spécialement dans les régions côtières. Pour prévenir les risques de corrosion, lavez toutes les surfaces en acier inoxydable toutes les 3 à 4 semaines à l'aide d'eau douce et d'un nettoyant pour acier inoxydable. Gardez le gril couvert quand il n'est pas utilisé.

Électrodes

Essuyez à l'aide d'un coton-tige imbibé d'eau. Faites attention de ne pas endommager l'électrode (voir Fig. 25).

Déposer des brûleurs en U pour le nettoyage

Assurez-vous que l'alimentation en gaz est éteinte. Retirez les grilles de l'appareil, puis soulevez le plateau radiant du gril. Saisissez le brûleur en U comme l'indique la photo (Fig. 27) et appuyez vers le bas avec les pouces sur le support à l'arrière tout en soulevant sur le brûleur en U. Dans certains cas, il peut être nécessaire d'utiliser un tournevis pour ouvrir la fente afin de libérer le brûleur en U. Tirez-le vers le haut et légèrement vers l'arrière de l'appareil, de manière à ce que la tête du brûleur se dégage de l'orifice en laiton situé à l'avant; inclinez le brûleur latéralement et retirez-le. Après le nettoyage, lors du remontage du brûleur en U, veillez à ce que celui-ci soit complètement de niveau et bloqué en place. Ceci, pour s'assurer que le gril offre une performance de cuisson uniforme.

Nettoyage du brûleur du gril

Nettoyez l'extérieur du brûleur à l'aide d'une brosse métallique en acier inoxydable. Éliminez le tartre coriace à l'aide d'un racloir métallique. Dégagez les ports bouchés avec une trombone déployée. N'utilisez jamais de cure-dent en bois car il pourrait se casser et bloquer le port. Secouez les débris à travers l'obturateur d'air. Inspectez l'entrée du brûleur à l'aide d'une lampe de poche pour vérifier qu'il n'est pas bloqué. Si des obstructions sont visibles, servez-vous d'un cintre métallique déployé au préalable (Voir Fig. 28).

Nettoyage de l'orifice

Le brûleur étant retiré, enlevez l'orifice et inspectez l'ouverture avec une lampe de poche pour vous assurer qu'elle n'est pas bloquée. Dégagez les débris à l'aide d'une aiguille. Faites extrêmement attention de ne pas élargir le trou ou de casser l'aiguille.

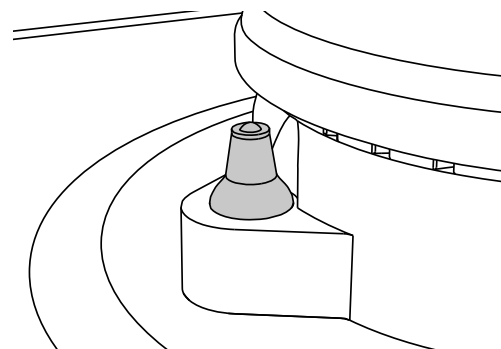


Fig. 25

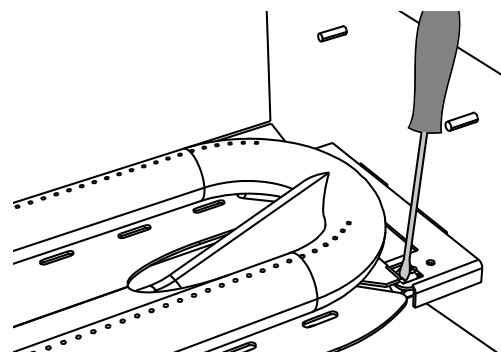


Fig. 26

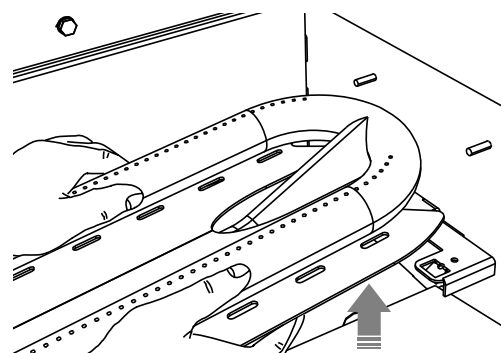


Fig. 27

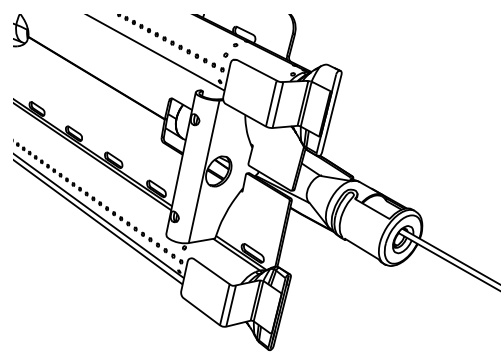
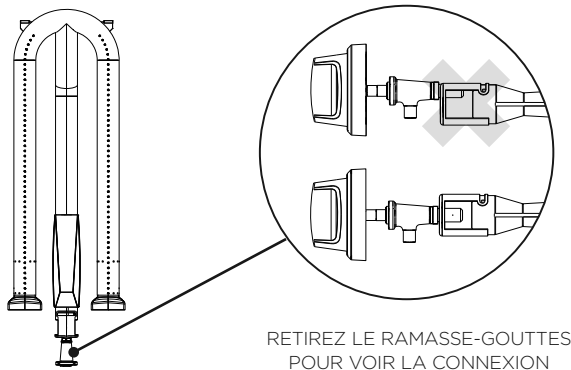


Fig. 28

Alignement du brûleur

IMPORTANT!

Centrer le brûleur sur l'orifice correctement avant d'allumer le gril pour éviter tout risque incendie ou d'explosion



RETIREZ LE RAMASSE-GOUTTES POUR VOIR LA CONNEXION

Fig. 29

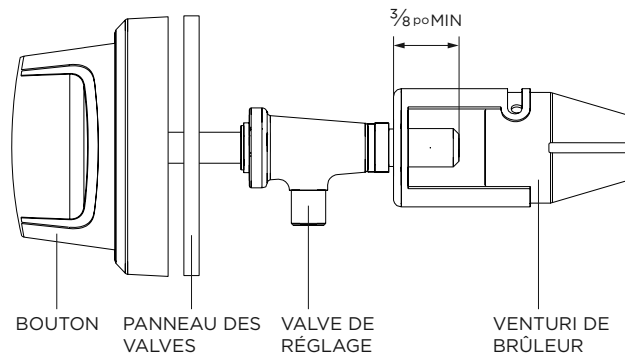


Fig. 30

Faites très attention de ne pas déranger la position initiale de l'obturateur d'air (sauf en cas de réajustement). Abaissez l'arrière du brûleur dans les découpes, sur le canal de support, à l'arrière de la boîte du brûleur. Assurez-vous qu'il est de niveau et ne balance pas. Allumez tous les brûleurs et vérifiez que leur flamme est correcte. Si des réglages sont nécessaires, reportez-vous à la page 18. Faites ceci avant d'utiliser le gril pour la cuisson.

Brûleurs latéraux (BH1-48RS modèle)

Pour assurer un bon allumage et une bonne performance des brûleurs, gardez-les dans un état propre. Vous devez nettoyer les brûleurs s'ils ne s'allument pas même si l'électrode clique, après chaque débordement important ou si la flamme ne devient pas bleue. Assurez-vous que tous les boutons des brûleurs sont en position « OFF » avant d'essayer de nettoyer les brûleurs. Les brûleurs ont été conçus pour être faciles à nettoyer. Une fois les grilles et brûleurs refroidis, retirez les grilles. Les capuchons de brûleur et les couronnes en laiton peuvent être facilement enlevés. Lavez ces pièces dans de l'eau savonneuse chaude, rincez et séchez soigneusement. Les capuchons de brûleur sont en émail de porcelaine; suivez les instructions données à la page précédente concernant les grilles des brûleurs. Utilisez au besoin une brosse en soies pour nettoyer les ports dentés des brûleurs. Après le nettoyage, il est important de vous assurer que les broches de position au bas de la couronne sont correctement alignées avec les trous correspondants de la base. Un mauvais alignement produira une flamme potentiellement dangereuse et entraînera un mauvais fonctionnement du brûleur (Fig. 31).

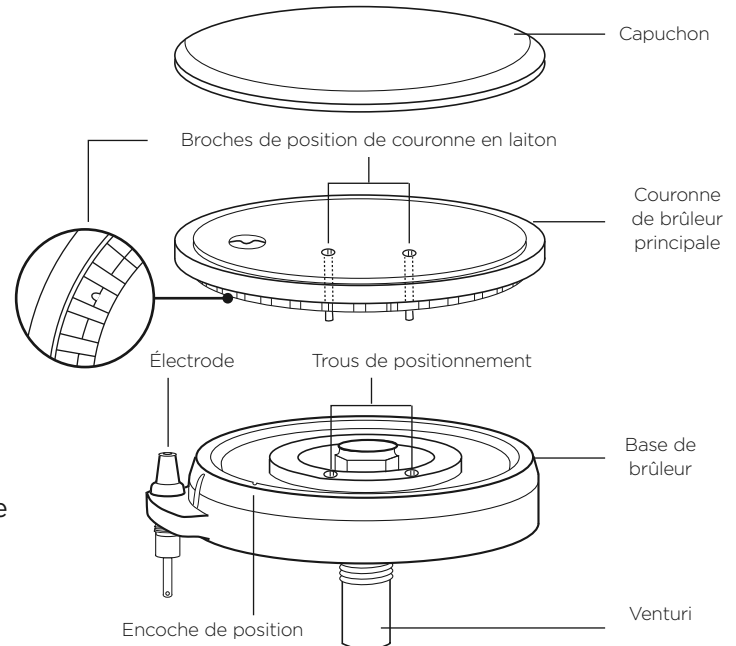


FIG. 31

Brûleur à fumeur

Le brûleur à fumeur peut être retiré et nettoyé en débranchant le fil de l'électrode et en soulevant le brûleur. Son nettoyage est similaire à celui du brûleur du gril. Remplacez le brûleur en glissant l'obturateur d'air par dessus l'orifice de laiton, en le centrant sur le trou.

Avant d'appeler le service technique

Si le gril ne fonctionne pas correctement, utilisez cette liste de contrôle avant de contacter votre distributeur. Vous pourriez ainsi vous épargner le coût d'une demande de service. Le dépannage couvre les problèmes d'ordre général seulement. Si le problème persiste et que vous avez besoin d'assistance, contactez votre distributeur ou le centre de service agréé le plus proche. Seuls les centres de service agréés peuvent entreprendre un service sous garantie. Contact service à la clientèle sur www.dcsappliances.com.

PROBLÈME	QUE FAIRE
Le gril ne s'allume pas lorsqu'on enfonce le bouton de brûleur.	<ul style="list-style-type: none"> • Vérifiez que l'alimentation en gaz est activée. • Retirez les grilles supérieures du gril et les plateaux radiants en céramique, puis observez l'embout de l'électrode. Vous devriez voir une étincelle jaillir de l'embout de l'allumeur lorsque vous appuyez sur le bouton de brûleur. • S'il n'y a pas d'étincelle, vérifiez l'état de la pile. Vérifiez l'état de la pile au moins une fois par an. • Essayez d'allumer le brûleur avec une allumette (voir pages 21, 22 & 32); vérifiez si les autres brûleurs de l'unité fonctionnent. Nettoyez tout débris de l'embout de l'électrode.
La flamme du brûleur est jaune ou orange, et il y a une odeur de gaz.	<ul style="list-style-type: none"> • Vérifiez si l'entrée du brûleur est obstruée (par des toiles d'araignées par exemple). Vérifiez si l'obturateur d'air est bien ajusté. • Le gril se trouve peut-être dans un lieu poussiéreux. Déplacez-le, si possible, dans un endroit moins poussiéreux.
Chaleur faible avec le bouton en position « SEAR/HI ».	<ul style="list-style-type: none"> • Si seul l'un des brûleurs est faible, nettoyez l'orifice et le brûleur, et débouchez les ports de toute obstruction (voir à la page 35). • Le gril se trouve peut-être dans un lieu poussiéreux. Déplacez-le, si possible, dans un endroit moins poussiéreux. • Vérifiez que l'alimentation et la pression de gaz sont bonnes. • Préchauffez le gril pendant un bon 15 minutes. • Si vous utilisez du propane, vérifiez si la bouteille est vide.
La rôtissoire ne s'allume pas.	<ul style="list-style-type: none"> • Vérifiez que l'alimentation en gaz est activée. • Vérifiez qu'il y a une étincelle à l'électrode. • Check the rotisserie burner lights when attempting to light with a butane lighter.
La rôtissoire s'allume mais sa flamme s'éteint lorsqu'on relâche le bouton.	<ul style="list-style-type: none"> • Continuez d'appuyer sur le bouton de la valve de sécurité jusqu'à ce que le brûleur reste allumé quant on le relâche.

GARANTIE ET SERVICE

Pour l'obtention du service de garantie

Pour le service sous garantie, contactez votre distributeur via notre site web www.dcsappliances.com. Avant d'appeler, veuillez avoir les informations suivantes à portée de main:

- Numéro de modèle (peut se trouver sur le panneau latéral intérieur droit, derrière la poignée du ramasse-gouttes. Voir page 20.)
- Numéro de série (peut se trouver sur le panneau latéral intérieur droit, derrière la poignée du ramasse-gouttes. Voir page 20.)
- Code (peut se trouver sur le panneau latéral intérieur droit, derrière la poignée du ramasse-gouttes. Voir page 20.)
- Date d'installation
- Brève description du problème

Votre satisfaction revêt la plus grande importance pour nous. Si un problème n'est pas résolu à votre entière satisfaction, veuillez communiquer avec nous:

Écrivez

Fisher & Paykel Appliances Inc.

Attention: DCS Customer Care
695 Town Center Drive, Suite 180
Costa Mesa, CA 92626-1902 USA

Email

customer.care@fisherpaykel.com

Remplir et conserver pour référence ultérieure:

Modèle _____

N° de série _____

Date d'achat _____

Acheteur _____

Détaillant _____

Banlieue _____

Ville _____

Pays _____

WWW.DCSAPPLIANCES.COM

© Fisher & Paykel Appliances 2022. All rights reserved.

The models shown in this guide may not be available in all markets and are subject to change at any time. The product specifications in this guide apply to the specific products and models described at the date of issue. Under our policy of continuous product improvement, these specifications may change at any time.

For current details about model and specification availability in your country, please go to our website or contact your local Fisher & Paykel dealer.

© Fisher & Paykel Appliances 2022. Tous droits réservés.

Les modèles illustrés dans ce guide peuvent ne pas être disponibles dans tous les pays et sont sujets à modifications sans préavis. Les caractéristiques de produit présentées dans ce guide s'appliquent aux modèles et produits spécifiques qui y sont décrits à la date de publication. Dans le cadre de notre politique d'amélioration en permanence de nos produits, ces caractéristiques peuvent être modifiées à tout moment. Pour les plus récentes informations sur la disponibilité des modèles et des caractéristiques dans votre pays, veuillez visiter notre site

Web ou contacter votre détaillant Fisher & Paykel local.

590836E 03.22