

BND-CNR BEND CORNER BRACKET INSTALLATION INSTRUCTIONS

Before you begin, read these instructions completely and carefully.

Getting Started

- Remove packaging

CONTENTS

| Description | Qty |
|--------------------------------------|-----|
| Bracket Top | 1 |
| Bracket Leg | 2 |
| Machine Screw #10-24 x 3/4" Phillips | 4 |
| Hex Nut 1/4-20 | 4 |
| Washer 5/16 ID x 3/4 OD | 4 |
| Hex Bolt 1/4-20 x 3/4" | 4 |

TOOLS NEEDED

| |
|---------------------------------|
| Eye Goggles |
| Screwdriver - Phillips #2 |
| 7/16" Socket and Ratchet Driver |
| 7/16" Box or Open End Wrench |

Installation Instructions

BND-CNR :

1. The BND-CNR is composed of three main pieces (one large bracket top and two bracket legs) that are held together using four bolts and nuts. The bracket is mounted to the bend units with four screws (Fig. 01).
2. Mounting of the BND-CNR bracket requires two CAD-BND bend units mounted with a CAD-30 cart between them and any size CAD cart or refrigeration unit with wrapper on the outer sides. When assembled, this configuration will provide a solid base to which the BND-CNR bracket can be safely mounted. The assembly should look similar to the image below (Fig. 02).

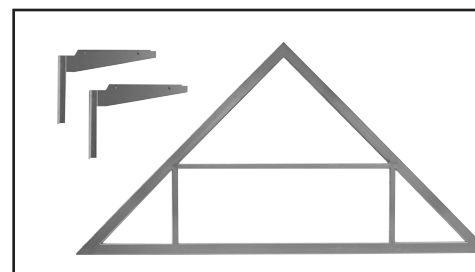


Fig. 01

Note: Before beginning installation, remove screws holding the rear of the center outdoor appliance and cart to prevent damage (Fig. 03). Ensure the grill head is secured to the front of the cart behind the drip pan.

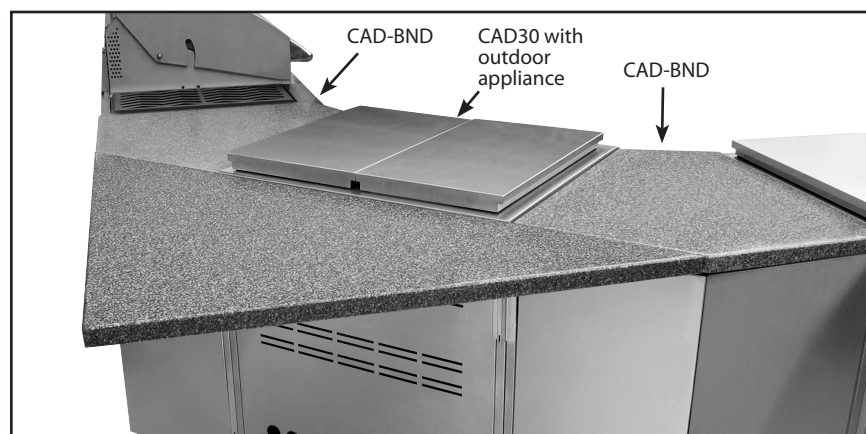


Fig. 02



Fig. 03

Over...

- Attach the legs to the backs of the bend units using the provided mounting screws (#10-24 x 1/2" Phillips Machine Screws). Position the legs on the bend units so that the screws are fed through the outer holes on the bracket legs (Fig. 04).
- Once the legs are securely mounted to the bend units, place the large bracket top on top of the legs (Fig. 05). The bracket top should rest safely on the legs while you secure the parts together.

Note: DO NOT place any weight on the shelf until step 5 is complete.

- With the large bracket top in place, secure the bracket top to the bracket legs using the hex bolt (1/4-20 x 3/4"), the washers (5/16 x 3/4) and hex nuts (1/4-20); bolt through the protruding plates on the legs, into the bracket top (Fig. 05). Once secure, the solid surface can then be placed on the bend corner bracket.



Fig. 04



Fig. 05

ACCESSORIES REQUIRED:

- Solid Surface for Corner Shelf (BND-CNRT)

For alternate types and/or colors of solid surface, contact your local manufacturer and provide the attached drawing (Fig. 06).

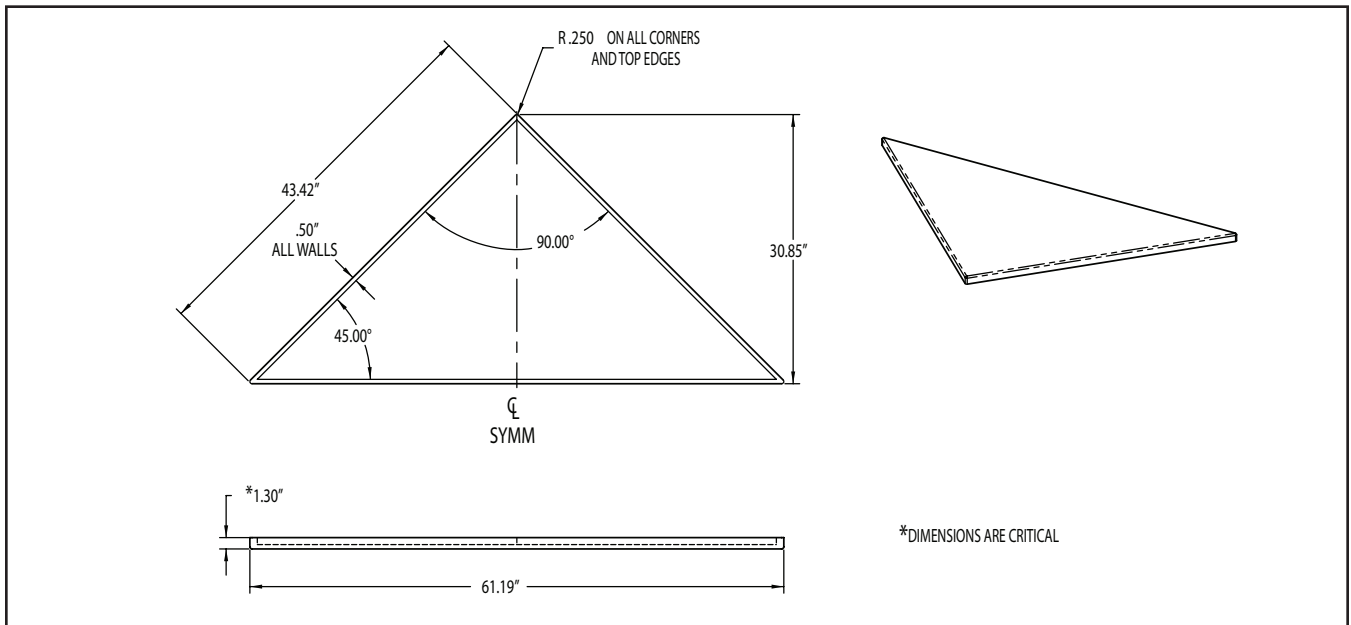


Fig. 06



Fisher & Paykel Appliances, Inc.
 5900 Skylab Road, Huntington Beach, CA 92647
 Customer Care: 888.281.5698 • Fax: 714.372.7003
 www.dcsappliances.com