

INSTALLATION INSTRUCTIONS AND USER GUIDE

INSTRUCTIONS D'INSTALLATION ET GUIDE D'UTILISATION

Professional grill cart
Professionnel panier grill

CAD1 models
Modèles CAD1

US CA



CONTENTS

Safety and warnings	3
Model identification & dimensions	4
Installation	
Shipping inspection	5
Locating the cart	6
Cart assembly instructions	6-11
Attaching Side Shelf (optional)	112
Attaching Sink Drain Kit (optional)	13-17
Using the cart	
Removing Drawers	18
Re-installing Drawers	18-19
Freezer Pack (optional)	18
Care & maintenance	20
Service	21

IMPORTANT!

SAVE THESE INSTRUCTIONS

The models shown in this user guide may not be available in all markets and are subject to change at any time. For current details about model and specification availability in your country, please visit our website listed on the back cover or contact your Fisher & Paykel dealer.

A MESSAGE TO OUR CUSTOMERS

Thank you for selecting this DCS by Fisher & Paykel Grill Cart. This installation and user guide contains valuable information on how to properly install, and maintain your new Professional Grill Cart for years of safe and enjoyable use.

Please fill out and submit your Product Registration by visiting our website at www.dcsappliances.com and selecting "Support" on the home page and then selecting "Product Registration". In addition, keep this guide handy, as it will help answer questions that may arise as you use your new Grill Cart.

For your convenience, product questions can be answered by a DCS Customer Care Representative at www.dcsappliances.com, or email: customer.care@fisherpaykel.com.

Note: please write the model, code, and serial numbers on this page for references (can be found on the inside, left wall of the tank drawer).

MODEL NUMBER _____ CODE _____ SERIAL NUMBER _____

IMPORTANT!

DO NOT discard any packing material (box, pallet, straps) until the unit has been inspected. Inspect the product to verify that there is no shipping damage. If any damage is detected, call the shipper and initiate a damage claim. DCS by Fisher & Paykel is not responsible for shipping damage.

SAFETY AND WARNINGS

To reduce the risk of fire, electrical shock, injury to persons, or damage when using the appliance, follow the important safety instructions listed below:

⚠ WARNING!



Explosion Hazard

Do not store or use gasoline or other flammable vapors and liquids inside or in the vicinity of this or any other appliance.
An LP cylinder not connected for use shall not be stored inside or in the vicinity of this unit.

⚠ WARNING!



Tip Hazard

Do not push down on the top of the drawers. The unit could tip forward.
Do not overload drawers. Maximum rating of each drawer is 35 pounds.
Failure to follow this advice may result in injury.

⚠ WARNING!



Crush Hazard

Improper hand placement during drawer closure may cause injury to hands or fingers. Always close or open drawers using their handles.
Be sure to keep hands away from drawer edges when opening or closing drawers.
Failure to follow this advice may result in injury.

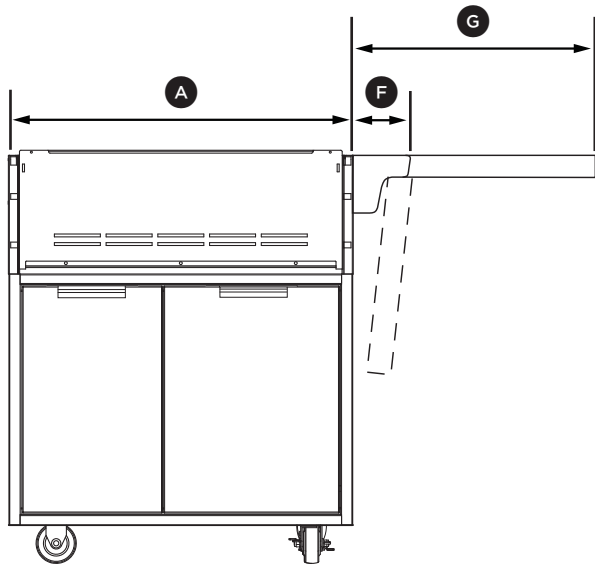
IMPORTANT SAFETY INSTRUCTIONS!

- Do not allow children or pets to play in or around the cart.
- To prevent personal injury or damage to the drawers, do not overload them. The maximum rating of each drawer is 35 pounds.
- Do not store items of interest to children above or on the inside of any cart. Children could be seriously injured if they should climb onto or into the cart to reach these items.
- To prevent injury from tipping, all Series 9 grills must only be used with either CAD1-36E or CAD1-48E model carts.

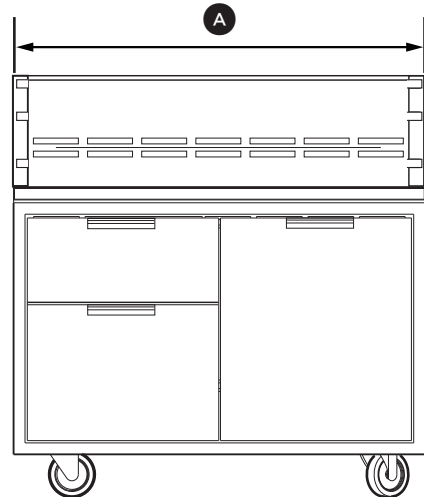
IF YOU SMELL GAS:

- Do not turn on any electrical switch; do not use any phone in your building.
- Immediately call your gas supplier from a neighbor's phone.
- Follow the gas supplier's instructions.
- If you cannot reach your gas supplier, call the fire department.
- Installation and service must be performed by a qualified installer, service agency or the gas supplier.

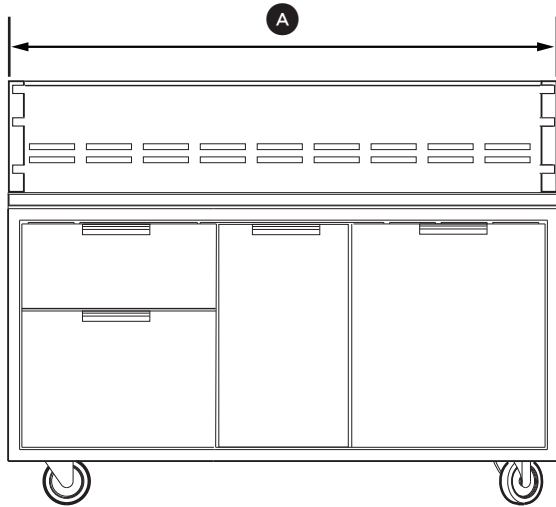
MODEL IDENTIFICATION & DIMENSIONS



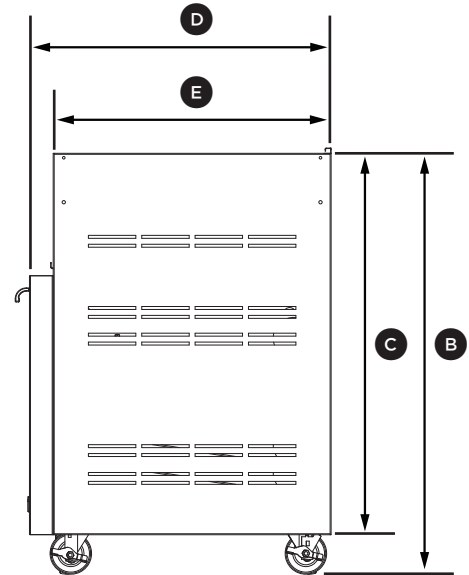
CAD1-30 and side shelf
Front view



CAD1-36/36E
Front view



CAD1-48/48E
Front view



CAD1-30, CAD1-36/36E and CAD1-48/48E
Side view

PRODUCT DIMENSIONS	CAD1-30	CAD1-36/36E	CAD1-48/48E
	Inches (mm)	Inches (mm)	Inches (mm)
Ⓐ Overall width of cart	30 (762)	36 (914)	48 (1219)
Ⓑ Overall height of cart	35 ½ (902)	35 ½ (902)	35 ½ (902)
Ⓒ Height of cart chasis (excluding wheels)	32 (816)	32 (816)	32 (816)
Ⓓ Overall depth of cart	25 ½ (648)	25 ½ (648)	25 ½ (648)
Ⓔ Depth of cart chasis (excluding doors & handles)	23 ½ (597)	23 ½ (597)	23 ½ (597)
Ⓕ Width of side shelf bracket	4 ½ (114)	4 ½ (114)	4 ½ (114)
Ⓖ Width of side shelf	24 (610)	24 (610)	24 (610)

INSTALLATION

Compatibility

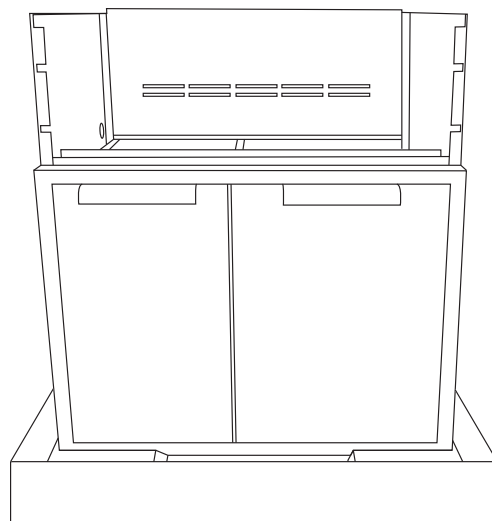
IMPORTANT!

All Series 9 grills **MUST** only be used with either CAD1-36E or CAD1-48E model carts. They cannot be used with any other CAD1 carts. Series 7 grills can be used with both CAD1 and CAD1-E cart models.

Shipping inspection

IMPORTANT!

- **Do not discard any packing material (box, straps) until the unit has been inspected.**
- ① Inspect the Cart to verify that there is no shipping damage.
 - ② If any damage is detected, call the retail dealer and initiate a damage claim. DCS by Fisher & Paykel is not responsible for shipping damage.
- Operate the drawers to be sure they glide smoothly.
 - Examine the drawer fronts to be sure there are no dents or scratches.

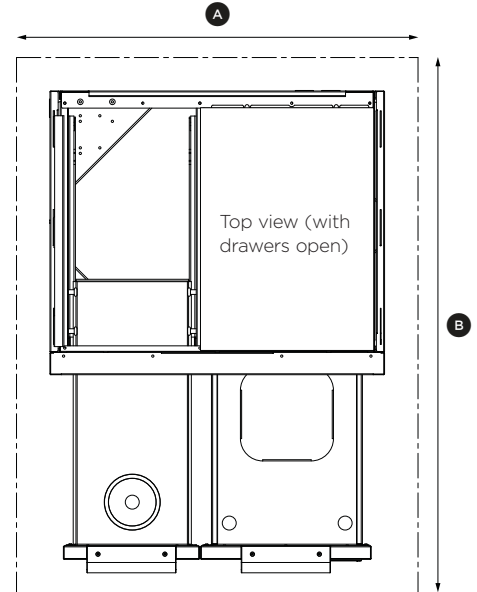


INSTALLATION

Locating the cart

For proper use, this product should be installed/positioned on a flat ground or patio. Unevenness such as bumps, cracks and protrusions should be $\frac{1}{4}$ " or less. Refer to illustration and the below table for required flat area dimensions.

REQUIRED FLAT AREA	CAD1-36/36E	CAD1-48/48E
	Inches (mm)	Inches (mm)
Ⓐ Width	36 (914)	48 (1219)
Ⓑ Depth	48 (1219)	48 (1219)



Cart assembly instructions

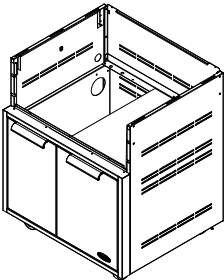
IMPORTANT!

- Some parts have sharp edges; care must be taken when handling the various components to avoid injury. Please read safety information provided in these instructions before beginning assembly. Wear gloves when handling.
- Two or more people should work together to assemble the cart and All-Grill, Double Side Burner/Sink, or Double Side Burner/Griddle.
- Avoid using side shelf to move cart. Push or pull the cart by grasping corners of head.

Content included






Your cart is packaged in one box. The box contains your cart and a universal hardware kit to be used for grill installation and may contain extra hardware for your convenience.

Table of quantity of parts

CONTENTS	MODEL	PART NO.	QTY.
 <p>30" Cart shown</p>	CAD1-30	71131	1
	CAD1-36	71132	1
	CAD1-36E	71407	1
	CAD1-48	71133	1
	CAD1-48E	71408	1

Tools required

	Eye Goggles
	Work Gloves
	Power Screwdriver or Variable Speed Drill with Phillips - tip #2 Attachment
	5/32" Allen Wrench
	3/16" Allen Wrench
	3/32" Allen Wrench

CONTENTS	CAD1-30	CAD1-36/36E	CAD1-48/48E
 Machined Phillip screws 10-24X1/2"	13	16	17
 Bracket, Tab	2	2	4
 Bolt Hex 1/4-20-12"	2	2	2
 Washer .313 x .750	4	4	4
 Nut Hex 1/4-20	2	2	2

INSTALLATION

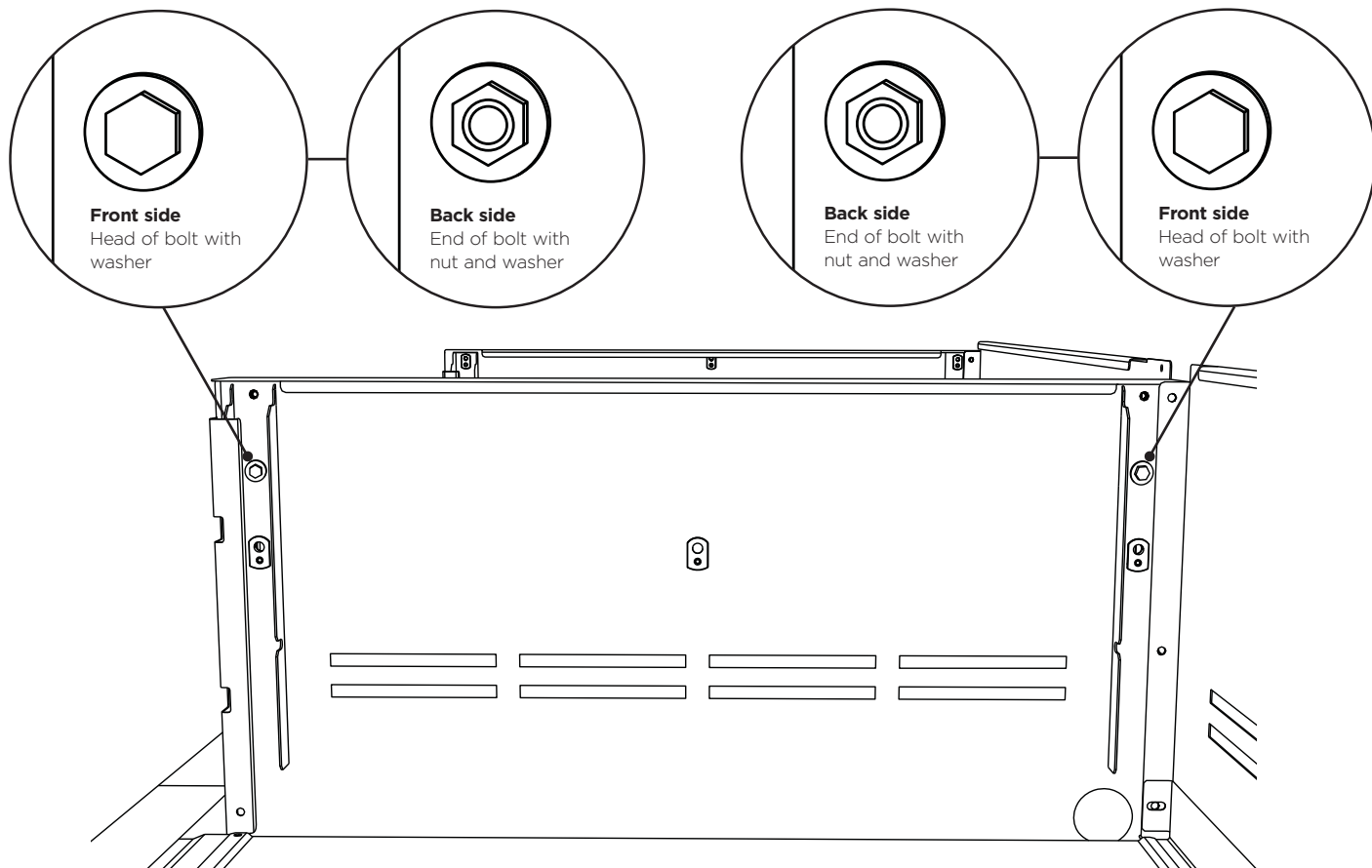
Cart assembly instructions

Linking carts together (optional)

To link two or more CAD1 carts, the following instructions must be done first, using the hardware provided, before installing the top modules.

IMPORTANT!

Once the carts are linked, they cannot be moved. Moving the carts once linked could damage the carts.

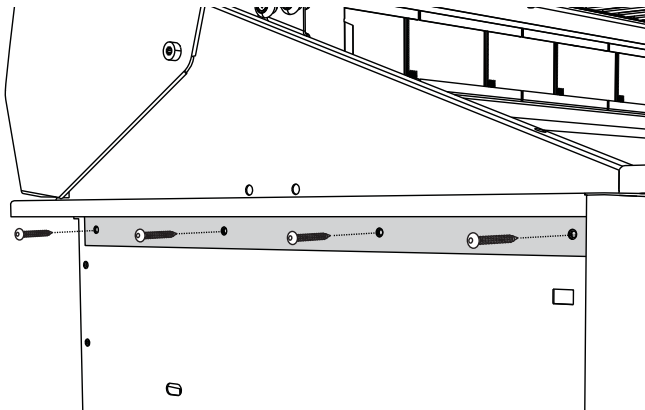


- ① Hand tighten two bolts, four washers, and two nuts on the front and back sides of the carts as shown.
- ② Carefully wrench tighten fasteners once carts are aligned with each other.

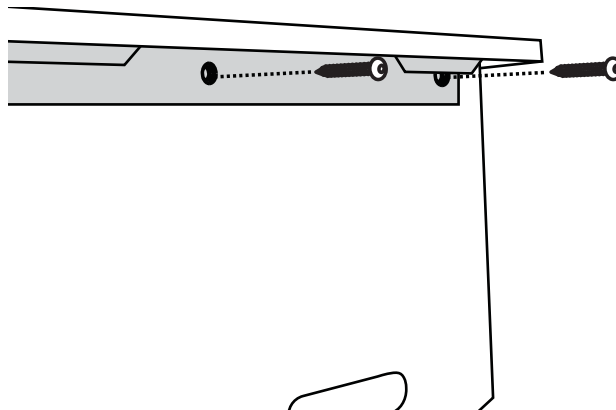
INSTALLATION

Cart assembly instructions

Outdoor appliance head preparation



- 1 First you will need to remove the angle brackets from the side of the unit and replace them with cart mount brackets. Note: unit is shipped prepared for island installation.



- 2 Install the bracket tab on both sides using eight of the 10-24 x 1/2" screws. Install each bracket with four screws on each side of the grill head. For a CAD1-48/48E, use the appropriately labeled bracket for your grill head and cart side.

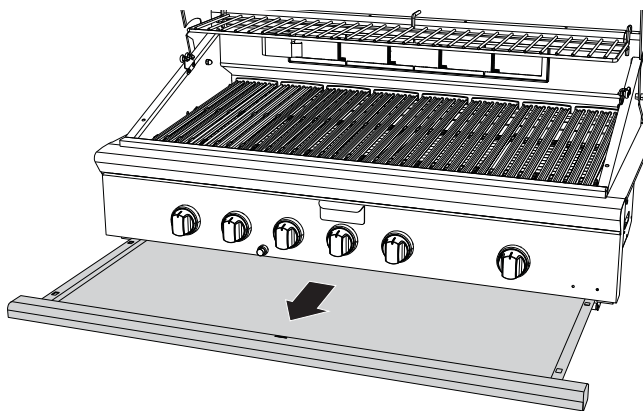
IMPORTANT!

For the CAD1-48/48E there are two sets of brackets. If you have the BGB48-BQR, use the brackets labeled LEFT-48 BQR and RIGHT-48 BQR. If you have the BGB48-BQAR, use the brackets labeled 48-BQAR.

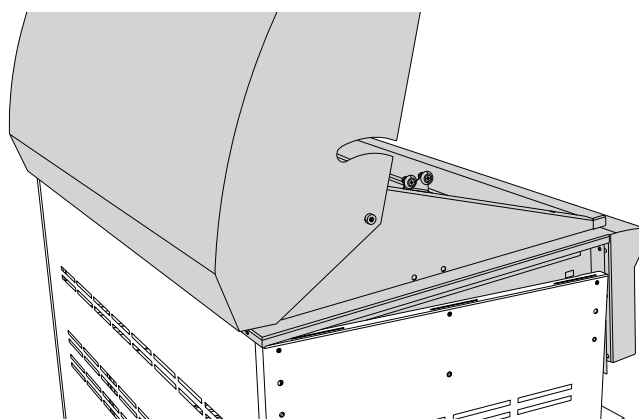
Head placement onto cart - two persons required

IMPORTANT!

- Be aware of pinch points and sharp edges to avoid injury to arms and hand.
- Two persons required to lift head.



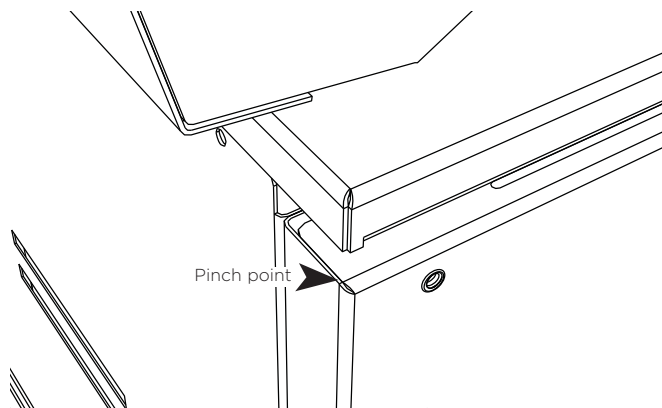
- 1 Remove drip tray/pan and other removable components such as grates, top burner caps and components, and griddle flue cover, radiant tray and grill burner for easier handling.



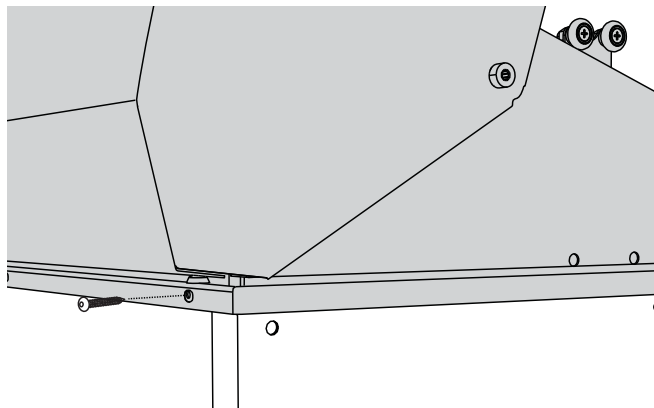
- 2 Placing head on cart, place rear of head over the rear of the cart first. Then allow the rear side tabs to first locate in the slots on the top of the cart sides. The other tabs will locate in the middle and front slots as the head is lowered into position on the cart.

INSTALLATION

Cart assembly instructions

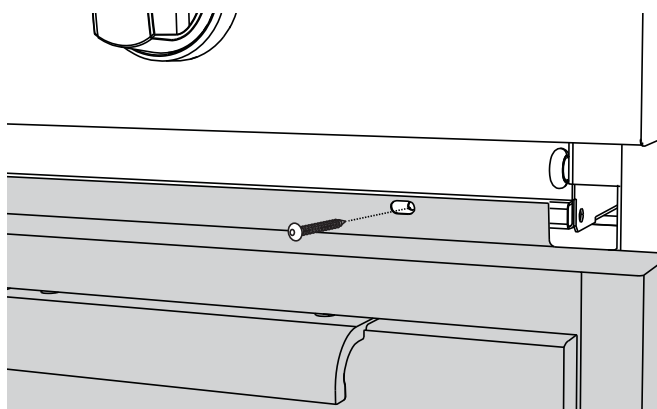


- ③ Position tabs on side bracket to fit into slots on the cart. When complete, the landing ledge should sit flush on the top of the cart.

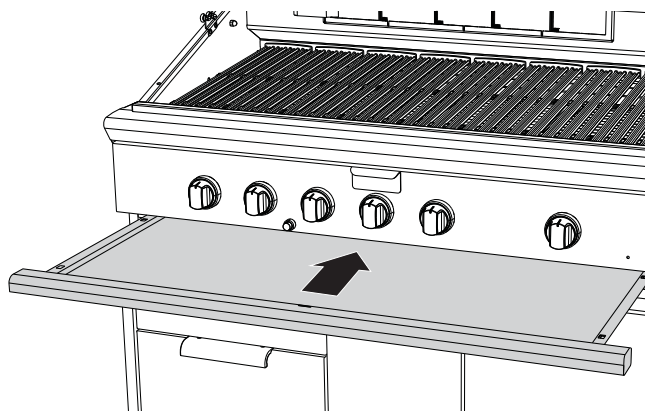


- ④ Secure the head to rear of cart with Phillips-head screws provided (10-24 x 1/2").

Front end screw installation



- ① Install remaining screws (10-24 x 1/2") into the front of head to the cart.

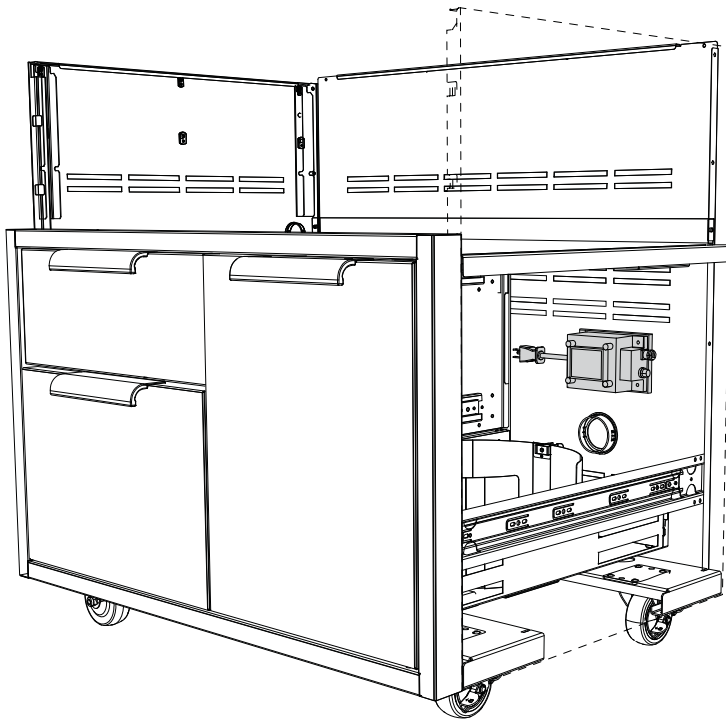


- ② Slide drip tray/pan back into place.

INSTALLATION

Transformer installation (for Series 9 grills only)

Your Series 9 grill comes supplied with a power transformer for ignition and internal lighting, which is concealed in a box with an attached power supply cord. It is recommended that the transformer is mounted to the rear panel of the CAD1-E cart using the 4 holes provided.



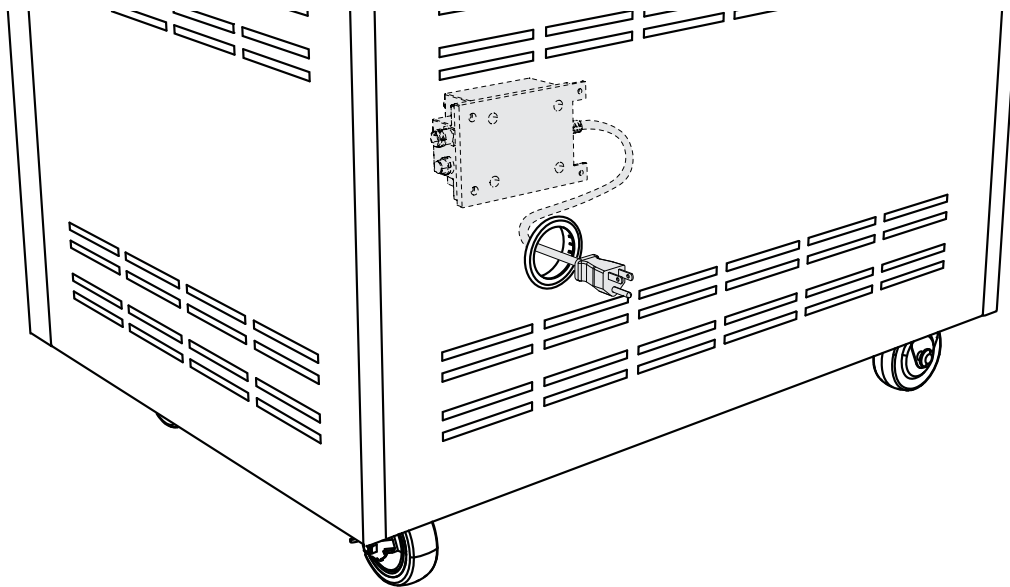
HZ	VOLTAGE (V)	AMPS (A)
60 Hz	120V	15

IMPORTANT!

Use only a Ground Fault Interrupter (GFI) protected circuit with this transformer.

The suggested location for installation is above the hole the transformer cord routes through, which is on the inside of the right-hand side of the cart's back panel. Remove the transformer from its bracket, and reuse the 4 nuts and bolts to attach the transformer to the cart.

Routing the transformer cord



Route the cord through the provided hole and connect to the nearest 120VAC 15A GFI (Ground Fault Interrupter) electrical outlet.

INSTALLATION

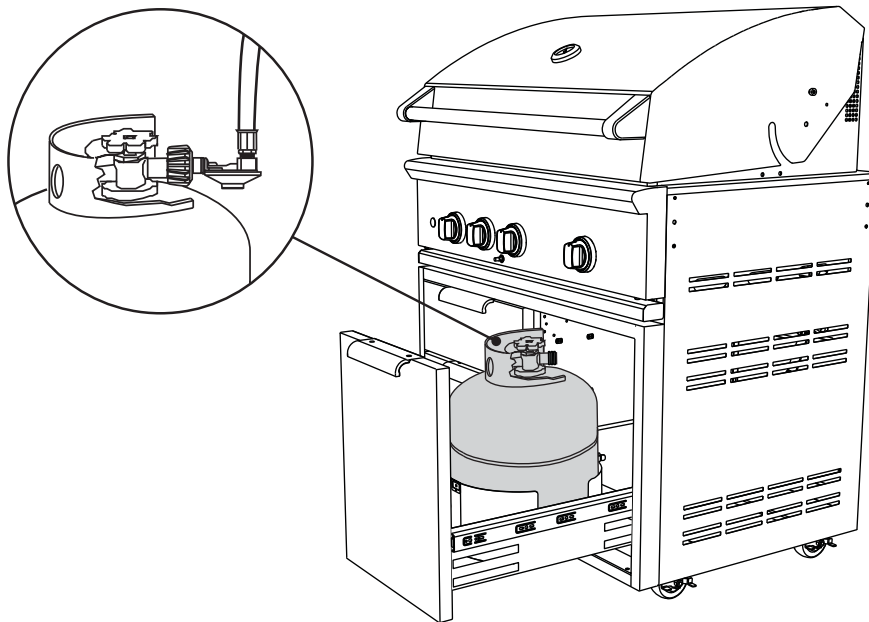
Cart assembly instructions

Gas hook-up - LP

Attach LP gas line connector hose assembly (as shown in “LP Gas Hook-up” section - The Professional Liberty Collection, Use/Care Guide) and then connect to LP tank as shown.

IMPORTANT!

- To prevent personal injury or damage to the drawers, do not overload them. The maximum rating of each drawer is 35 pounds.
- Do not push down on the top of the drawers. The unit could tip forward.

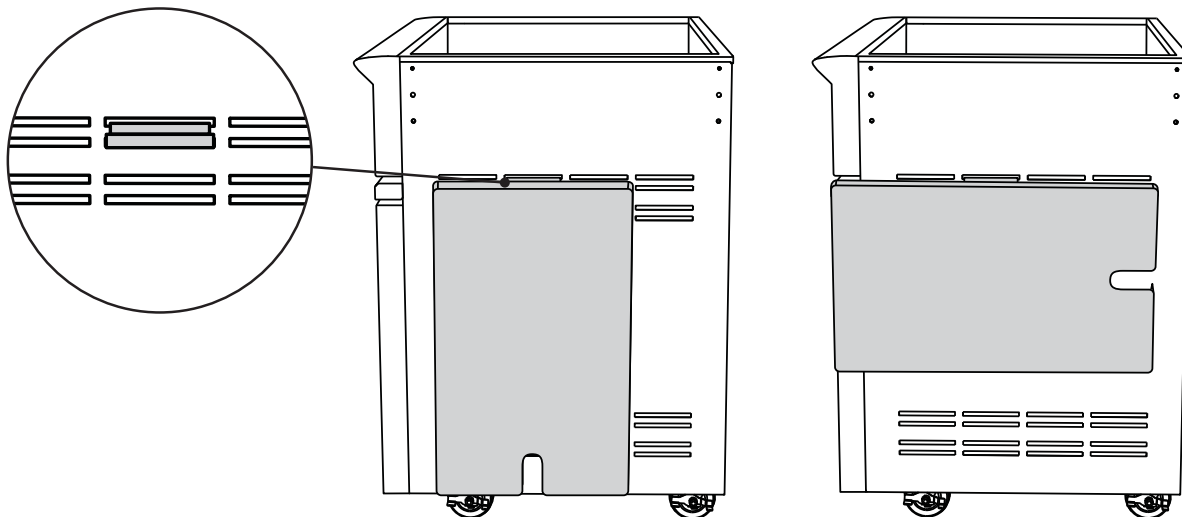


Cover hanger

To use the cover hangers provided, first place the cover hanger into the slot on the side or rear of your cart then hang the cover in either direction as shown below.

IMPORTANT!

Do not move the cart while the covers are hung. This could cause the covers to fall off the hangers and damage the covers.

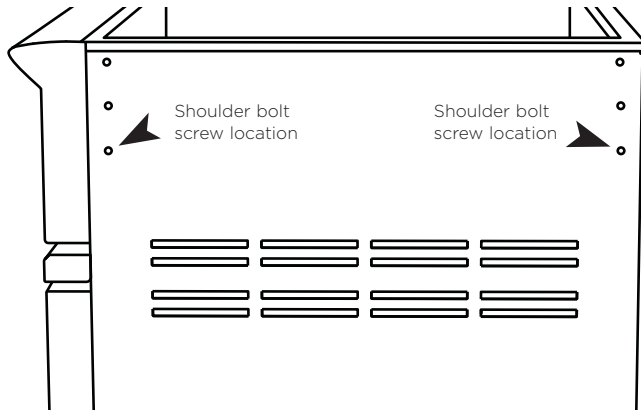


INSTALLATION

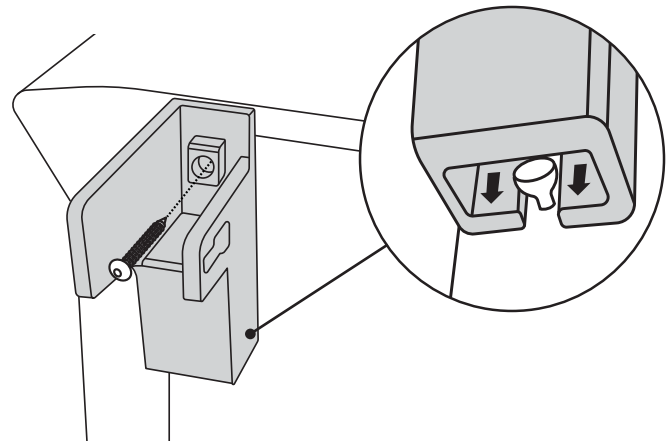
Side shelf assembly instructions (optional)

Optional attach side shelf accessory on either side

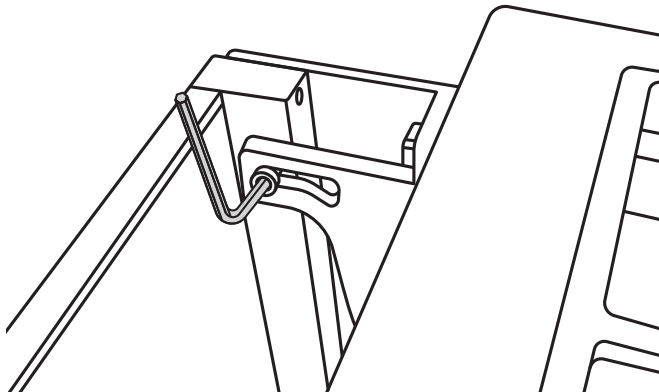
Note: side shelf model CAD1-SK can be installed with the head already on the cart.



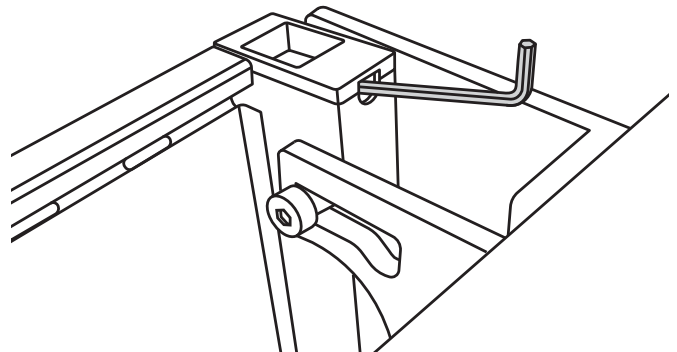
- ① Screw two shoulder bolts into the bottom screws on the side of the cart. Tighten with 5/32 Allen wrench.



- ② Slide left and right side shelf brackets over the shoulder bolt and install top screw attaching the side shelf brackets onto the cart. Tighten with Phillips screwdriver.

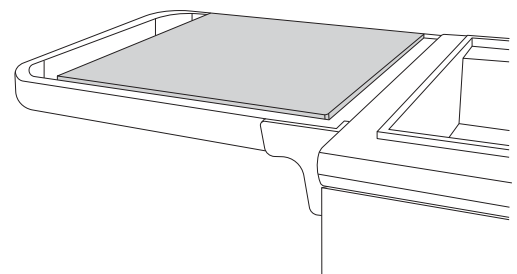


- ③ Holding the side shelf, install two shoulder bolts into the slot and screw into the side shelf tray. Tighten with a 3/16 Allen wrench.



- ④ Place shelf in the up position and check for level. If shelf is not level, adjust side shelf set screw. Set screws can be adjusted using a 3/32 Allen wrench. Turn the Allen wrench clockwise to raise the shelf. Turn 1/4 turn and review to see if the shelf is level. The set screws in the left and right bracket should be adjusted equally to ensure the shelf sits level.

Optional wood cutting board (model # CAD1-WCB, 70861) can be purchased as an accessory from www.dcsappliances.com.



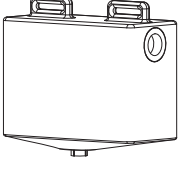






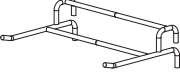
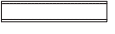
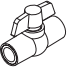


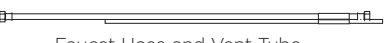

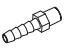


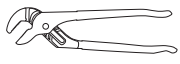
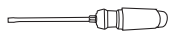
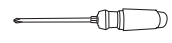
INSTALLATION

Sink drain assembly instructions (optional)

Content included

Your Sink Drain Accessory Kit is packaged in one box. The box contains the following components:

Table of quantity of parts

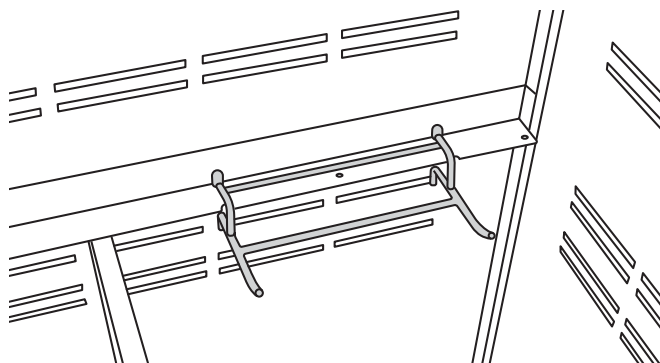
CONTENTS	QTY.	CONTENTS	QTY
 Gray Water Tank	1	 3-1/2" Snap Bushing	1
		 Snap Lock Clip	1
		 1-1/2" Tailpiece Washer	2
		 Fitting, 1/2 NPT x 3/4 ID Tube	1
		 Nipple, 1-1/2" NPT	1
		 Elbow, 3/4 NPT x 3/4 ID Tube	1
CONTENTS	QTY		
 Tank Bracket	1		
 3/4 Hose Tank Drain	1		
 1/2" Ball Valve	1		
 Water Hose Adapter	1		
 Sink Drain Hose Assembly	1		
 Faucet Hose and Vent Tube	1		
 Hose Clamp, 9/16" x 1-1/16"	2		
 Brass Fitting, 1/4 ID Tube x 1/8 NPT	1		
 Cable Tie	1		
		Tools required	
		 Work Gloves	
		 Adjustable Pipe Wrench	
		 Phillips Screw Driver	
		 Flat Head Screw Driver	

INSTALLATION

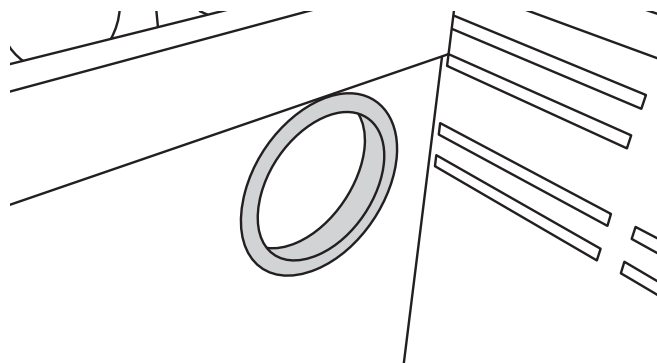
Sink drain assembly instructions (optional)

IMPORTANT!

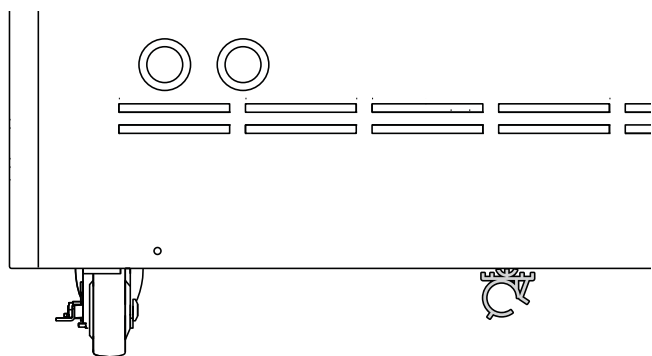
Remove all racks and drawers from the cart and grates. And remove burner caps and drip tray from the side burner/sink prior to kit installation.



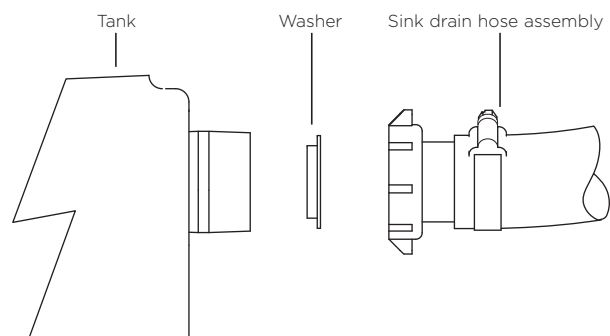
- ① Attach tank bracket on the right side of the cart.



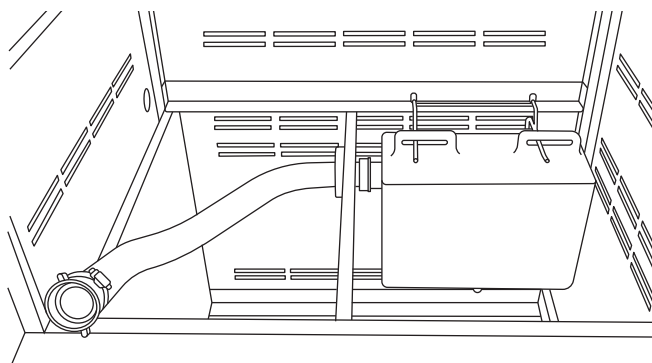
- ② Install the snap bushing in the center divider.



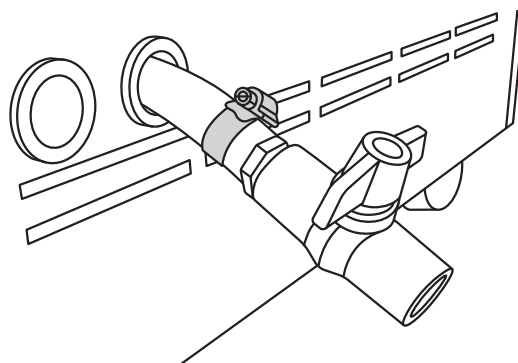
- ③ Install the snap-lock clip in the back bottom of the cart into the hole provided. Note the direction of installation.



- ④ Attach sink drain hose assembly to the tank (include one tailpiece washer).



- ⑤ Install the tank/hose assembly in the cart, over the tank bracket and feed the sink drain hose through the hole in the center divider.



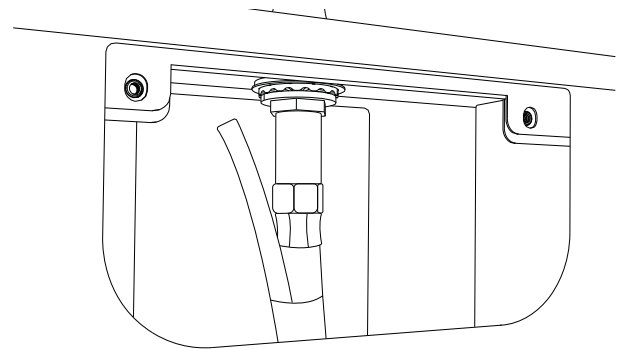
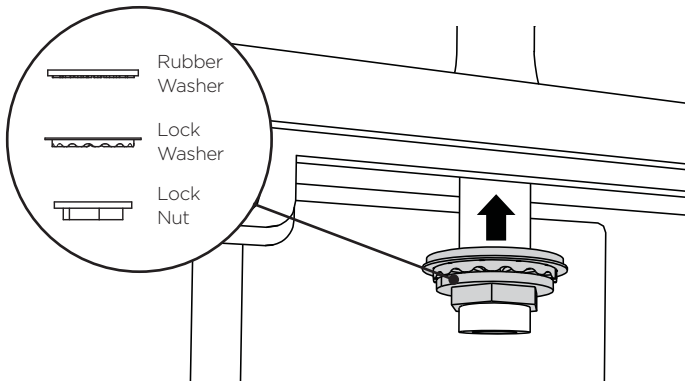
- ⑥ The drain hose at the bottom of the tank exits the hole in the back of the cart. Attach the 1/2" ball valve and fitting to the tank and tighten the hose clamp.

INSTALLATION

Sink drain assembly instructions (optional)

IMPORTANT!

Finger tight first, then use a wrench.



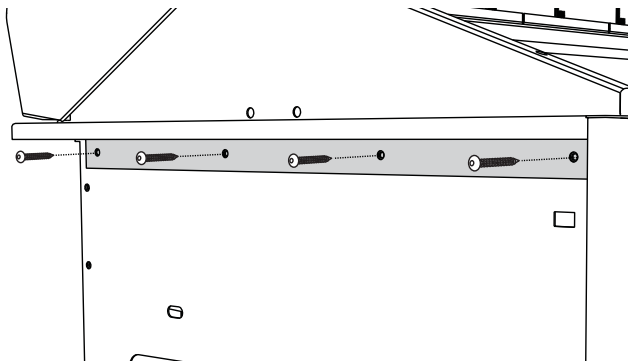
⑦ Set the side burner/sink securely on a table and attach the faucet to the sink as shown.

⑧ Feed the three-foot water supply hose/air vent tube through the hole at the bottom of the burner box, and attach it to the faucet.

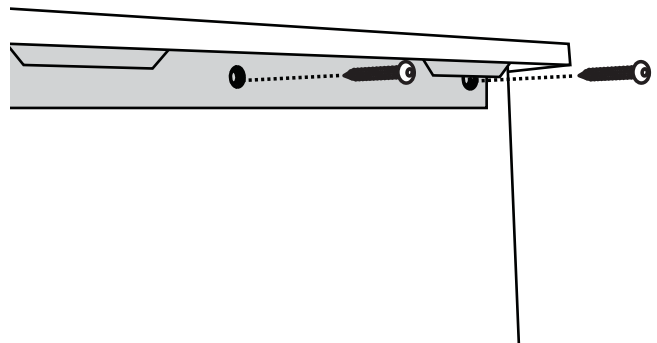
⑨ Outdoor appliance head preparation

IMPORTANT!

Excessive weight hazard. Use two or more people to move and install sink/burner assembly onto the cart.



Ⓐ Remove the angle brackets from the side of the unit and replace them with cart mount brackets.



Ⓑ Install the bracket tab on both sides using eight of the 10-24 x 1/2" screws. Install each bracket with four screws on each side of the grill head. For a CAD1-48/48E, use the appropriately labeled bracket for your grill head and cart side.

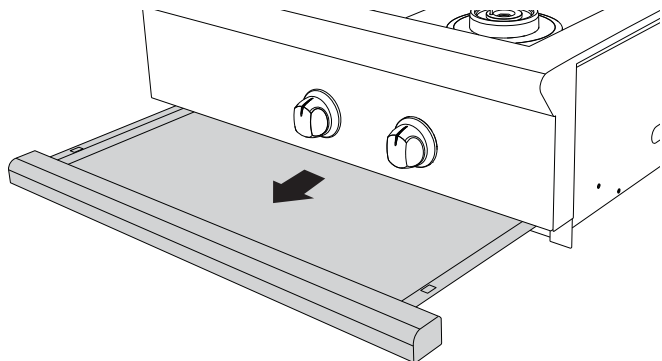
INSTALLATION

Sink drain assembly instructions (optional)

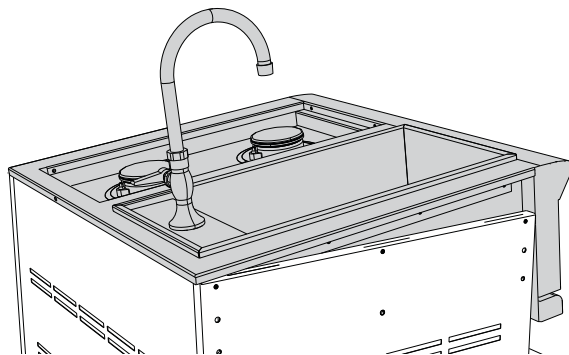
- ⑩ Head placement onto cart

IMPORTANT!

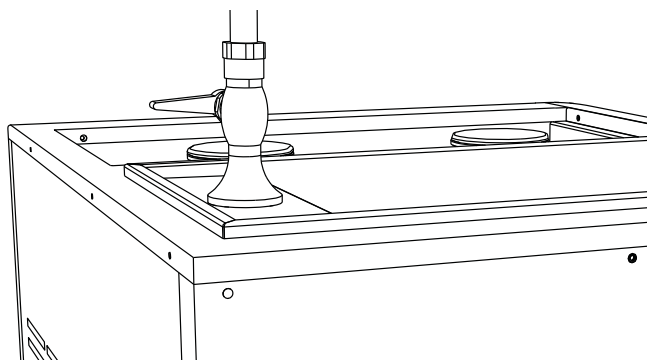
Beware of pinch points and sharp edges to avoid injury to arms and hands.



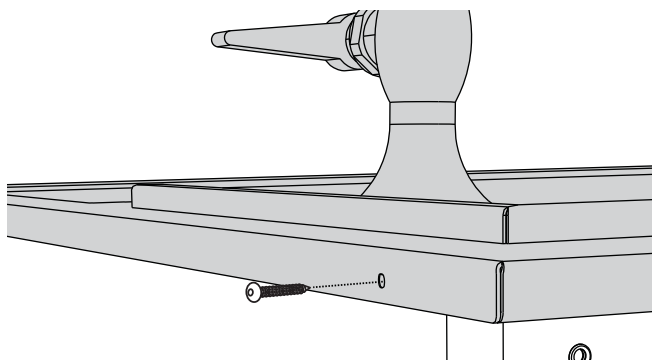
- Ⓐ Remove drip tray/pan and other removable components such as grates, top burner caps and components, and griddle flue cover, radiant tray and grill burner for easier handling.



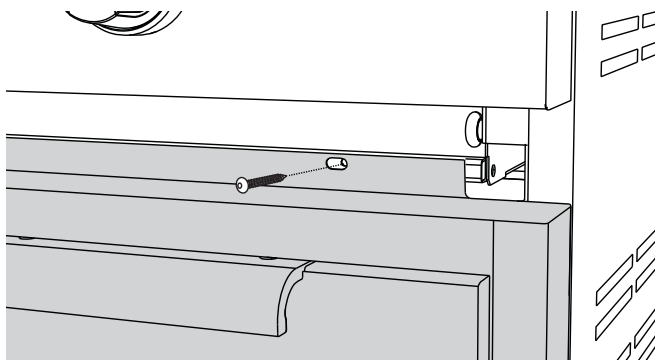
- Ⓑ Place rear of head over the rear of the cart first then allow the rear side tabs to first locate in the slots on the top of the cart sides. The other tabs will locate in the middle and front slots as the head is lowered into position.



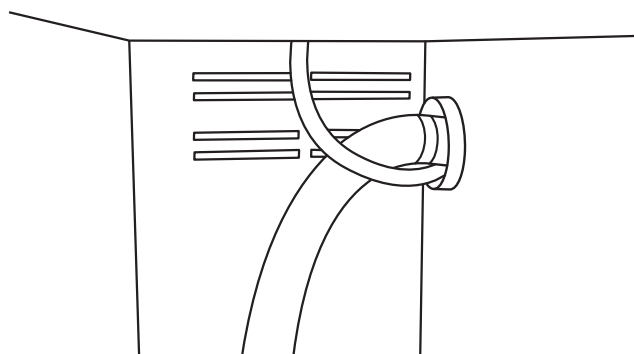
- Ⓒ Position tabs on side bracket to fit into slots on the cart. When complete, the landing ledge should sit flush on the top of the cart.



- Ⓓ Secure the head to rear of cart with Phillips-head screws provided (10-24 x 1/2").



- Ⓔ Install remaining three screws (10-24 x 1/2") into the front of head to the cart.



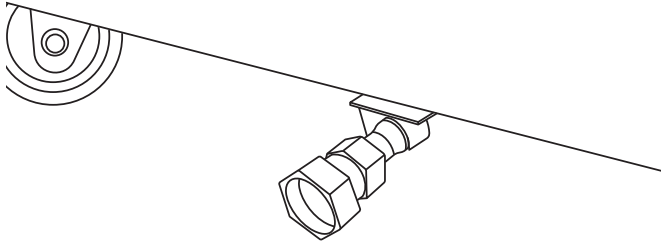
- ⓫ Feed the water supply hose through the center divider hole, down to the bottom opening of the cart.

INSTALLATION

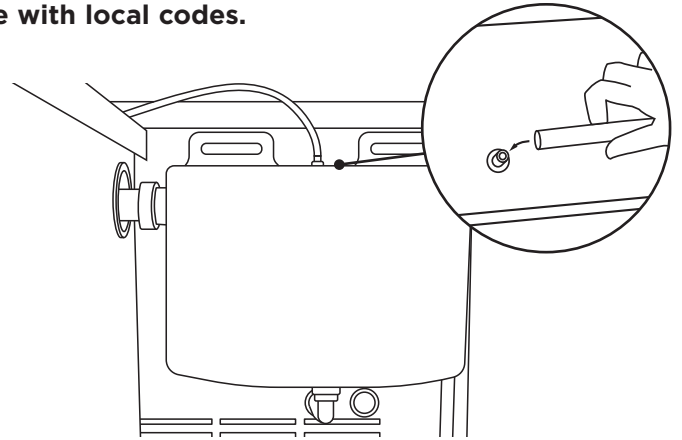
Sink drain assembly instructions (optional)

IMPORTANT!

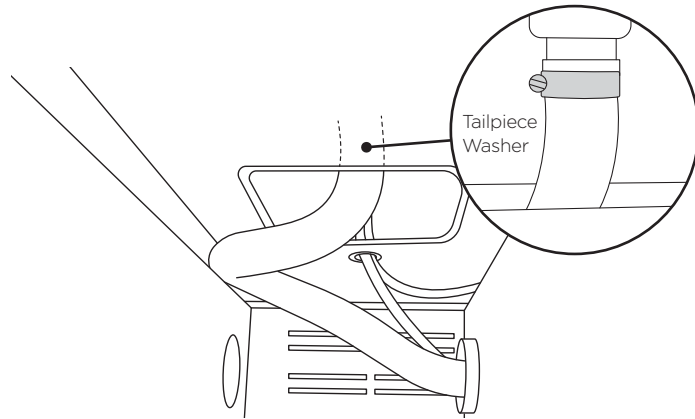
Make sure you have the supply connection in accordance with local codes.



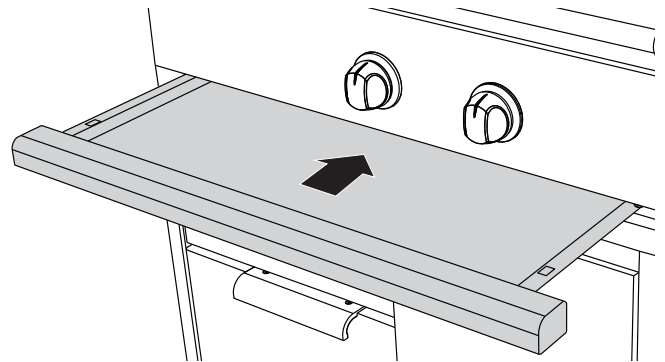
- ⑫ Place the end of the water supply hose in the snap-lock clip and lock it in place. Attach the water hose adapter.



- ⑬ Feed the air vent tube over the center divider and attach it to the brass fitting located at the top of the water tank.



- ⑭ Attach the sink drain hose to the bottom of the sink (use one tailpiece washer) and push the sink drain hose up and over the edge of the side panel. This will prevent the interference between this hose and the top rack. It also creates proper drainage from the sink to the water tank. And/or use the cable tie provided to hold the hose up.



- ⑮ Slide drip tray/pan back into place and reinstall parts removed in step 10A.

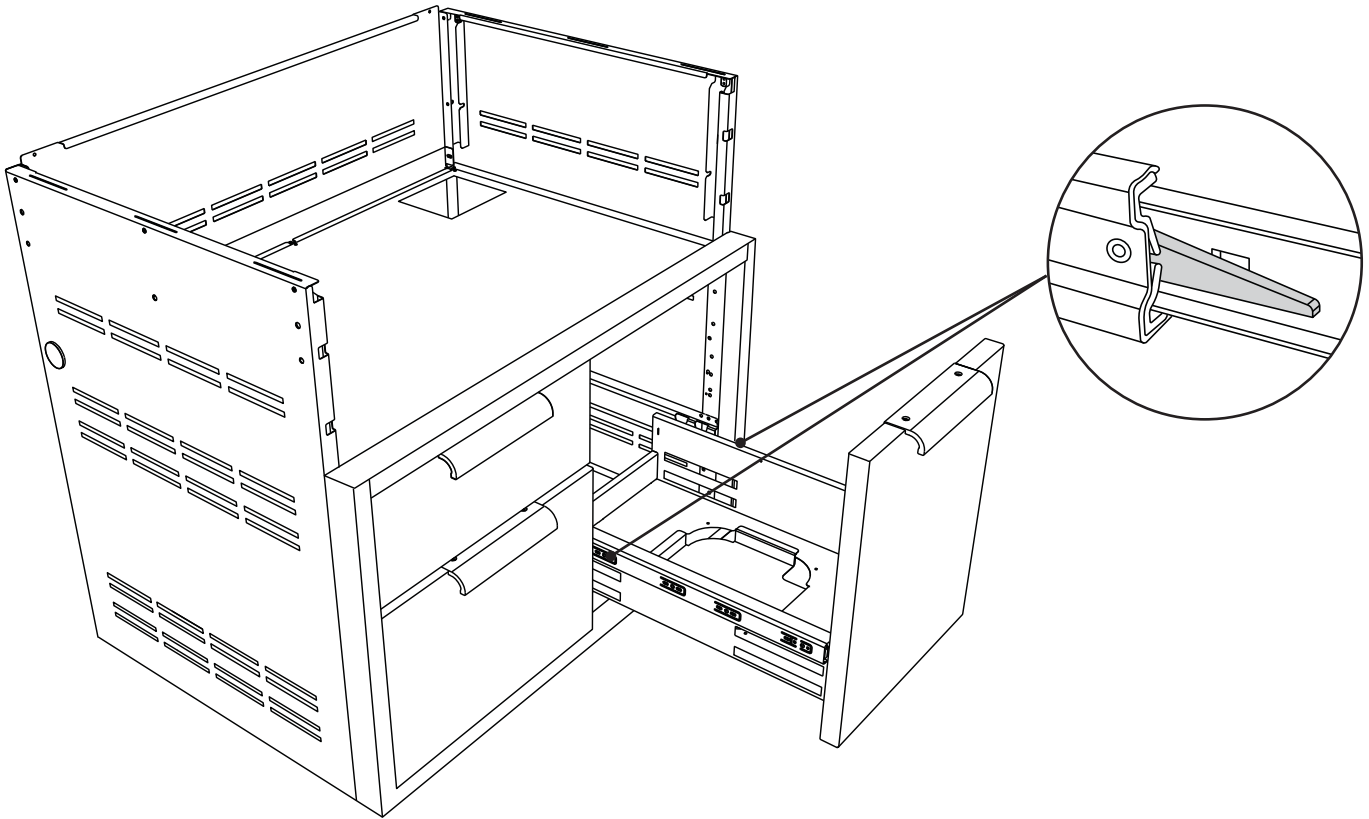
- ⑯ Attach cold water hose (not supplied) to the unit and test the system for leaks.
- Close the ball valve behind the cart.
 - Turn on the faucet.
 - Check all connections inside and outside the cart.
 - If you notice any leaks, turn the water supply off. Tighten connections that are leaking and retest.

USING THE CART

Removing the drawers

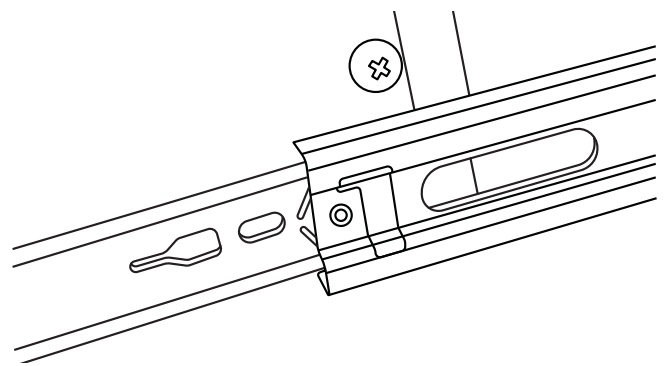
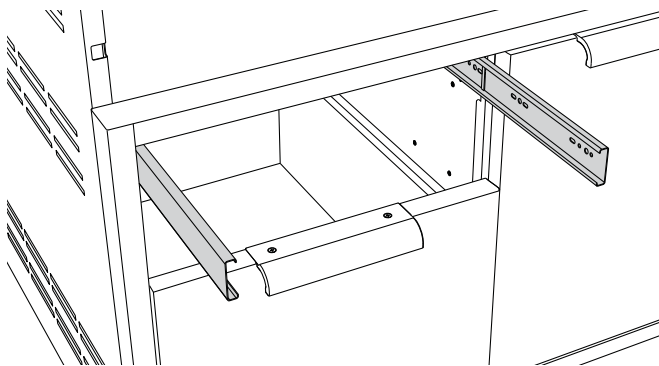
IMPORTANT!

To prevent personal injury or damage to the drawers, do not overload them. The maximum rating of each drawer is 35 pounds.



- ① To remove the drawers, pull them out until their slider latch is visible. Carefully push the latch down on the left side while pulling up on the latch on the right side and pull the drawer completely out of the frame.
- ② To prevent damage to surfaces, place the drawers on a stable surface on a protective towel or tablecloth while removed from the cart.

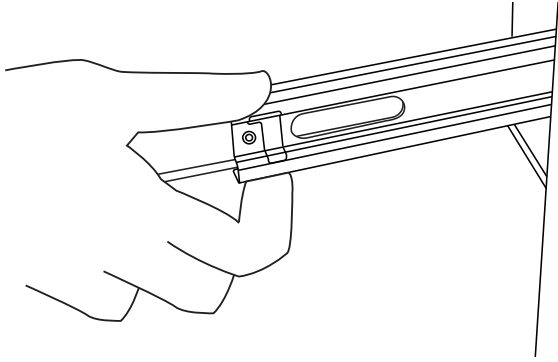
Re-installing the drawers



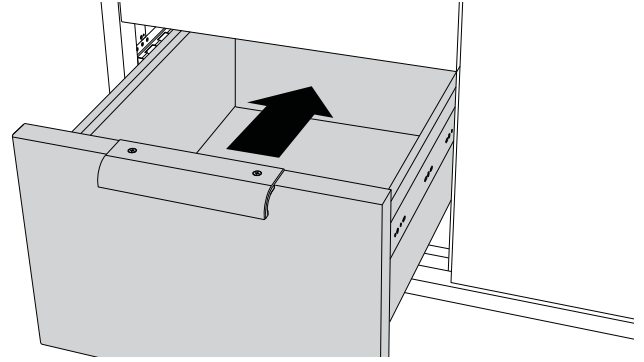
- ① Re-install the drawers by extending their guides.
- ② While holding the drawer parallel to the cabinet, carefully align & engage the ends of the glides. Slide the drawer about an inch so that the glides are supporting the back of the drawer.

USING THE CART

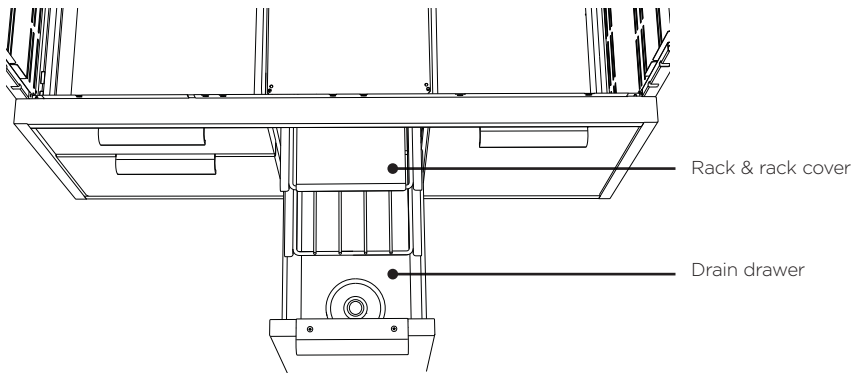
Re-installing the drawers



- ① While holding the drawer up by the handle, pull the glides from the drawer cavity out over the drawer glide until they click.

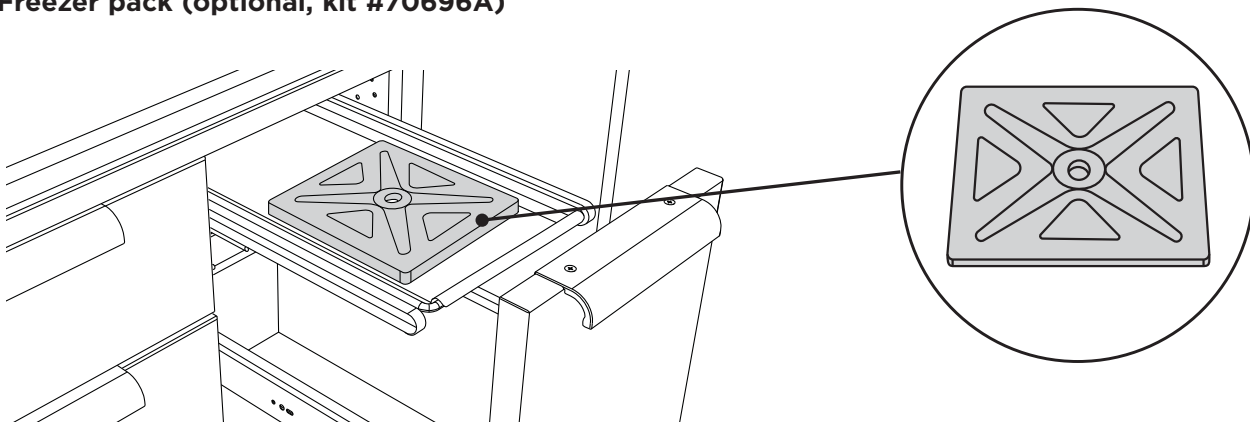


- ② As you push the drawers in, you will encounter moderate resistance. Continue to push the drawer all the way in to complete the engagement process. The drawer will now glide smoothly in and out with light effort.



- ③ Install the two racks provided into the opening by sliding them onto the rollers on the sidewalls of the left cavity.

Freezer pack (optional, kit #70696A)



- ① Place the freezer pack in freezer, laying it flat.
- ② Freeze overnight or a minimum of eight hours.
- ③ Place frozen freezer pack in the steel tray on the second shelf, in appropriate cavity of the drawer. The freezer pack is dishwasher safe. Or wash with warm soapy water, rinse and air dry. Store flat in dry storage or in freezer.

CARE AND MAINTENANCE

All parts of the Professional Grill Cart can be cleaned with hot soapy water, rinsed, dried and buffed to a shine with a soft, heavy cloth. Always try this first, as it is the mildest cleaning procedure.

- ① Use the mildest cleaning procedure first. Some brands of cleaners of the same type are harsher than others, read their directions. A scent or a propellant can make a difference in the product, read the ingredients. Try on a small area first.

Caution should be taken to keep the regulator free from any cleaning soaps or water.

- ② To avoid marring the surface, always rub metal finishes in the direction of the stainless steel polish lines (grain). The cleaner will be more effective when used in the direction of the polish lines.
- ③ Use only clean sponges, soft cloths, paper towels, plastic non-metal soap pads for cleaning or scouring as recommended in this section. (Use only soap pads with soap still in them. An empty pad can scratch.)
- ④ Be sure to rinse all parts thoroughly and to wipe dry to avoid water marks.
- ⑤ After cleaning, use a stainless steel polish, such as Stainless Steel Magic® applied to the drawer and handle surfaces.

Brand name cleaners

In this section on cleaning, the use of name brands is intended only to indicate a type of cleaner. This does not constitute an endorsement. The omission of any name brand cleaner does not imply its adequacy or inadequacy. Many products are regional in distribution and can be found in local markets and department stores.

SERVICE

For warranty service, please contact your local service provider or DCS Customer Care Representative at www.dcsappliances.com, please have the following information ready:

- Model number (can be found on the inside, left wall of the tank drawer).
- Serial number (can be found on the inside, left wall of the tank drawer).
- Code (can be found on the inside, left wall of the tank drawer).
- Date of installation.
- A brief description of the problem.

Your satisfaction is of the utmost importance to us. If a problem cannot be resolved to your satisfaction, please write or email us at:

Write

Fisher & Paykel Appliances Inc.
Attention: DCS Customer Care
695 Town Center Drive, Suite 180
Costa Mesa, CA 92626-1902 USA

Email

customer.care@fisherpaykel.com

Complete and keep for safe reference:

Model _____

Serial No. _____

Purchase Date _____

Purchaser _____

Dealer _____

Suburb _____

Town _____

Country _____

TABLE DES MATIÈRES

Mesures de sécurité et de précautions	3
Identification et dimensions du modèle	4
Installation	
Inspection pour expédition	5
Placement de la desserte	6
Instructions de montage de la desserte	6-11
Fixation de tablette latérale (en option)	12
Fixation du kit de drain d'évier (en option)	13-17
Utilisation de la desserte	
Dépose des tiroirs	18
Remontage des tiroirs	18-19
Milieu de congélation (en option)	19
Entretien et maintenance	20
Service	21

IMPORTANT!

CONSERVEZ CES INSTRUCTIONS

Les modèles illustrés dans ce guide d'utilisation peuvent ne pas être disponibles dans tous les pays et sont sujets à modifications sans préavis. Pour les plus récentes informations sur la disponibilité des modèles et des caractéristiques dans votre pays, veuillez visiter notre site Web www.fisherpaykel.com ou contacter votre détaillant Fisher & Paykel local.

À L'INTENTION DE NOS CLIENTS

Merci d'avoir sélectionné cette Desserte de gril DCS by Fisher & Paykel. Cette notice d'installation et d'utilisation contient des informations précieuses sur la façon d'installer et d'entretenir correctement votre nouveau chariot professionnel pour des années d'utilisation sûre et agréable.

S'il vous plaît remplir et soumettre votre enregistrement de produit en visitant notre site Web à www.dcsappliances.com et en sélectionnant "Support" sur la page d'accueil, puis en sélectionnant "Enregistrement du produit". De plus, gardez ce guide à portée de main, car il vous aidera à répondre aux questions qui pourraient surgir lors de l'utilisation de votre nouveau chariot.

Pour plus de commodité, vous pouvez répondre aux questions sur les produits auprès d'un représentant du service à la clientèle de DCS à www.dcsappliances.com ou par courriel à: customer.care@fisherpaykel.com.

Remarque: veuillez noter les numéros de modèle, code, et de série sur cette page pour information (se trouve à l'intérieur de la paroi gauche du tiroir de bouteille).

NUMÉRO DE MODÈLE _____ CODE _____ NUMÉRO DE SÉRIE _____

IMPORTANT!

Ne pas jeter le matériau d'emballage (boîte, palette, sangles) avant d'avoir inspecté l'unité. Inspecter le produit pour vérifier qu'il n'a pas été endommagé pendant l'expédition. En cas de dommages, contacter le transporteur et entamer une déclaration pour dommage. DCS by Fisher & Paykel n'est en aucun cas responsable des dommages pendant l'expédition.

MESURES DE SÉCURITÉ ET DE PRÉCAUTION

Pour réduire les risques d'incendie, de décharge électrique, de blessures corporelles ou de dommages lors de l'utilisation de cet appareil, conformez-vous aux consignes de sécurité importantes énumérées ci-dessous:

⚠ AVERTISSEMENT!



Risque d'explosion

Évitez de stocker ou d'utiliser de l'essence ou tout autre liquide et vapeur inflammable à l'intérieur ou à proximité de cet appareil ou de tout autre. Ne pas entreposer une bouteille de propane non raccordée pour l'emploi à l'intérieur ou à proximité de cette unité.

⚠ AVERTISSEMENT!



Risque de basculement

Ne pas appuyer sur le dessus des tiroirs. L'unité risquerait de se renverser vers l'avant. Ne pas surcharger les tiroirs. La capacité maximale de chaque tiroir est de 15,8 kg (35 lbs).

⚠ AVERTISSEMENT!



Risque écraser

Un placement des mains inapproprié durant la fermeture des tiroirs risque de blesser les mains ou les doigts. Toujours fermer ou ouvrir les tiroirs en utilisant leurs poignées. S'assurer de garder les mains à l'écart des bords de tiroirs lors de l'ouverture et de la fermeture des tiroirs.

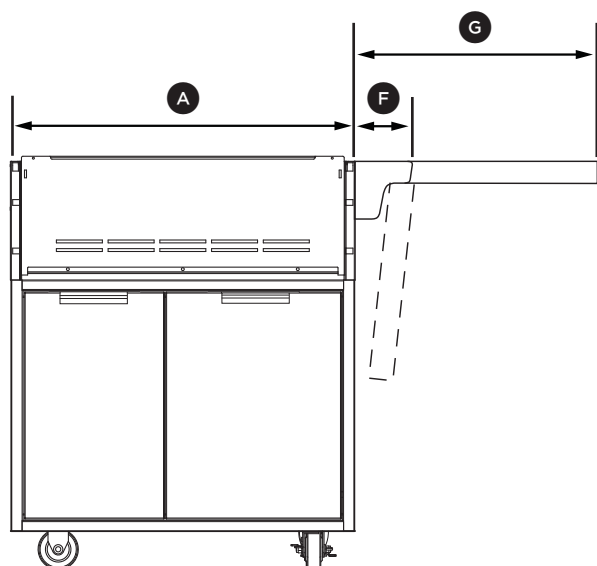
CONSIGNES DE SÉCURITÉ IMPORTANTES!

- Ne pas laisser les enfants ou les animaux domestiques jouer dans la desserte ou à sa proximité.
- Pour prévenir toute blessure corporelle ou tout dommage des tiroirs, ne pas les surcharger. La capacité maximale de chaque tiroir est de 15,8 kg (35 lbs).
- Ne pas entreposer des objets qui intéressent les enfants sur ou dans la desserte. Les enfants pourraient grièvement se blesser s'ils grimpaient sur ou dans la desserte pour atteindre ces objets.
- Pour éviter les risques de renversement, toutes les grilles de la série 9 doivent uniquement être utilisées avec les chariots modèles CAD1-36E ou CAD1-48E.

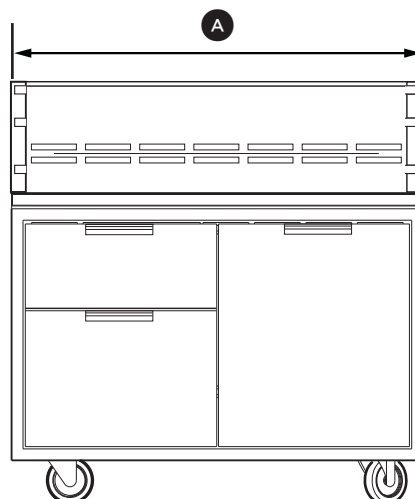
SI VOUS SENTEZ UNE ODEUR DE GAZ:

- Ne pas allumer de commutateur électrique; ne pas utiliser de téléphone dans le bâtiment.
- Contacter immédiatement la compagnie du gaz du téléphone d'un voisin.
- Suivre les instructions de la compagnie du gaz.
- S'il n'est pas possible de contacter la compagnie du gaz, appeler les pompiers.
- L'installation et le service doivent être effectués par un installateur qualifié, un service de réparation ou la compagnie du gaz.

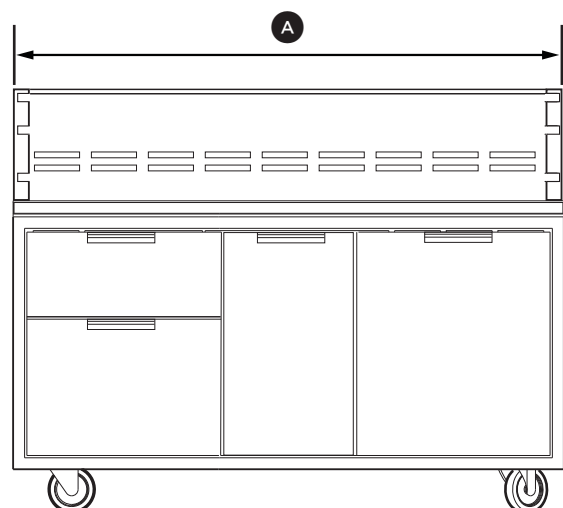
IDENTIFICATION ET DIMENSIONS DU MODÈLE



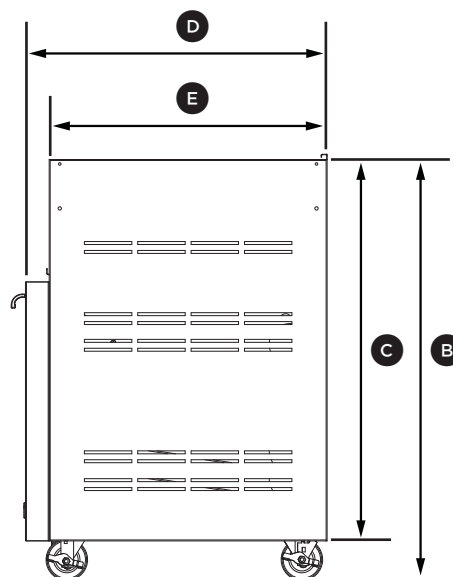
CAD1-30 et tablette latérale
Vue de face



CAD1-36/36E
Vue de face



CAD1-48/48E
Vue de face



CAD1-30, CCAD1-36/36E and CAD1-48/48E
Vue de côté

DIMENSIONS DU PRODUIT	CAD1-30	CAD1-36/36E	CAD1-48/48E
	mm (pouces)	mm (pouces)	mm (pouces)
Ⓐ Largeur totale du chariot	762 (30)	914 (36)	1219 (48)
Ⓑ Hauteur totale du chariot	902 (35 ½)	902 (35 ½)	902 (35 ½)
Ⓒ Hauteur du panier (sauf les roues)	816 (32)	816 (32)	816 (32)
Ⓓ Profondeur totale du chariot	648 (25 ½)	648 (25 ½)	648 (25 ½)
Ⓔ Profondeur du chariot (à l'exclusion des portes et poignées)	597 (23 ½)	597 (23 ½)	597 (23 ½)
Ⓕ Largeur du support d'étagère latérale	114 (4 ½)	114 (4 ½)	114 (4 ½)
Ⓖ Largeur de l'étagère latérale	610 (24)	610 (24)	610 (24)

Compatibilité

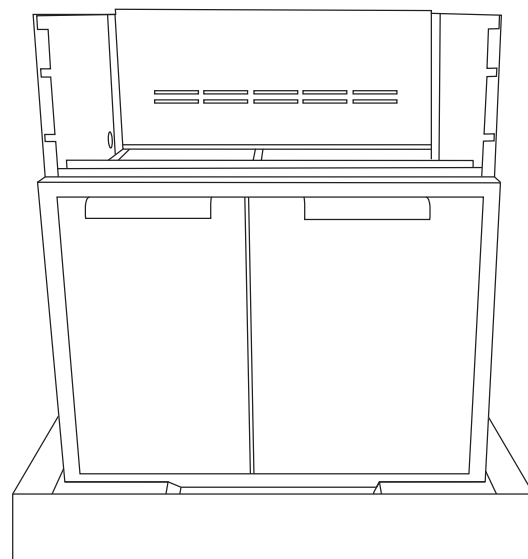
IMPORTANT!

Toutes les grilles de la série 9 **DOIVENT** uniquement être utilisées avec les chariots modèles CAD1-36E ou CAD1-48E. Ils ne peuvent pas être utilisés avec d'autres chariots CAD1. Les grils de la série 7 peuvent être utilisés avec les modèles de chariot CAD1 et CAD1-E.

Inspection apres livraison

IMPORTANT!

- **Ne jetez aucun matériel d'emballage (boîte, palette, sangles) avant d'avoir inspecté l'appareil.**
- ① Inspectez les tiroirs pour vous assurer qu'ils n'ont subi aucun dommage durant le transport.
 - ② Le cas échéant, appelez le transporteur et soumettez une réclamation pour dommages. DCS by Fisher & Paykel n'est pas responsable des dommages subis durant le transport.
- Faites fonctionner les tiroirs pour vous assurer qu'ils glissent correctement.
 - Examinez le devant des tiroirs pour vous assurer qu'il n'y a aucune bosse ou égratignure.



INSTALLATION

Instructions de montage de chariot

IMPORTANT!

- Certaines pièces ont des bords coupants; faites attention lorsque vous manipulez les différents composants pour éviter de vous blesser. Veuillez lire les consignes de sécurité de ce manuel avant de commencer l'assemblage. Portez des gants.
- Il faut deux personnes ou plus pour assembler le chariot et l'appareil d'extérieur.
- Évitez de déplacer le chariot par la tablette latérale en option. Poussez ou tirez le chariot en saisissant les coins de la tête.

Placement de la desserte

Pour une bonne utilisation, ce produit doit être installé/ positionné sur un sol plat ou un patio. Les inégalités telles que bosses, fissures et protubérances doivent être de 0,6 cm (1/4") ou moins. Se reporter à la illustration pour obtenir les dimensions de terre plate.

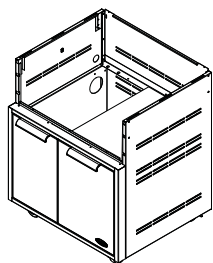
ESPACE PLAT REQUIS	CAD1-36/36E	CAD1-48/48E
	mm (pouces)	mm (pouces)
Ⓐ Largeur	914 (36)	1219 (48)
Ⓑ Profondeur	1219 (48)	1219 (48)









Contenu



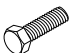


Le chariot est emballé dans une seule boîte. Celle-ci contient le chariot de 76 cm (30 po) et un kit de matériel universel destiné à l'installation de grill qui comprend du matériel supplémentaire pour votre commodité.

Table de quantité

CONTENU	MODELE	PARTIE NO	QTÉ
 Chariot de 76 cm (30")	CAD1-30	71131	1
	CAD1-36	71132	1
	CAD1-36E	71407	1
	CAD1-48	71133	1
	CAD1-48E	71408	1

Outils requis

	Lunettes de sécurité
	Gants de travail
	Tournevis mécanique ou perceuse à vitesse variable avec embout cruciforme n° 2
	Clé Allen 5/32"
	Clé Allen 3/16"
	Clé Allen 3/32"

CONTENU	CAD1-30	CAD1-36/36E	CAD1-48/48E
 Vis cruciformes usinées 10-24X1/2"	13	16	17
 Support, languette	2	2	4
 Boulon hex 1/4-20-1/2"	2	2	2
 Rondelle .313 x .750	4	4	4
 Écrou hex 1/4-20	2	2	2

INSTALLATION

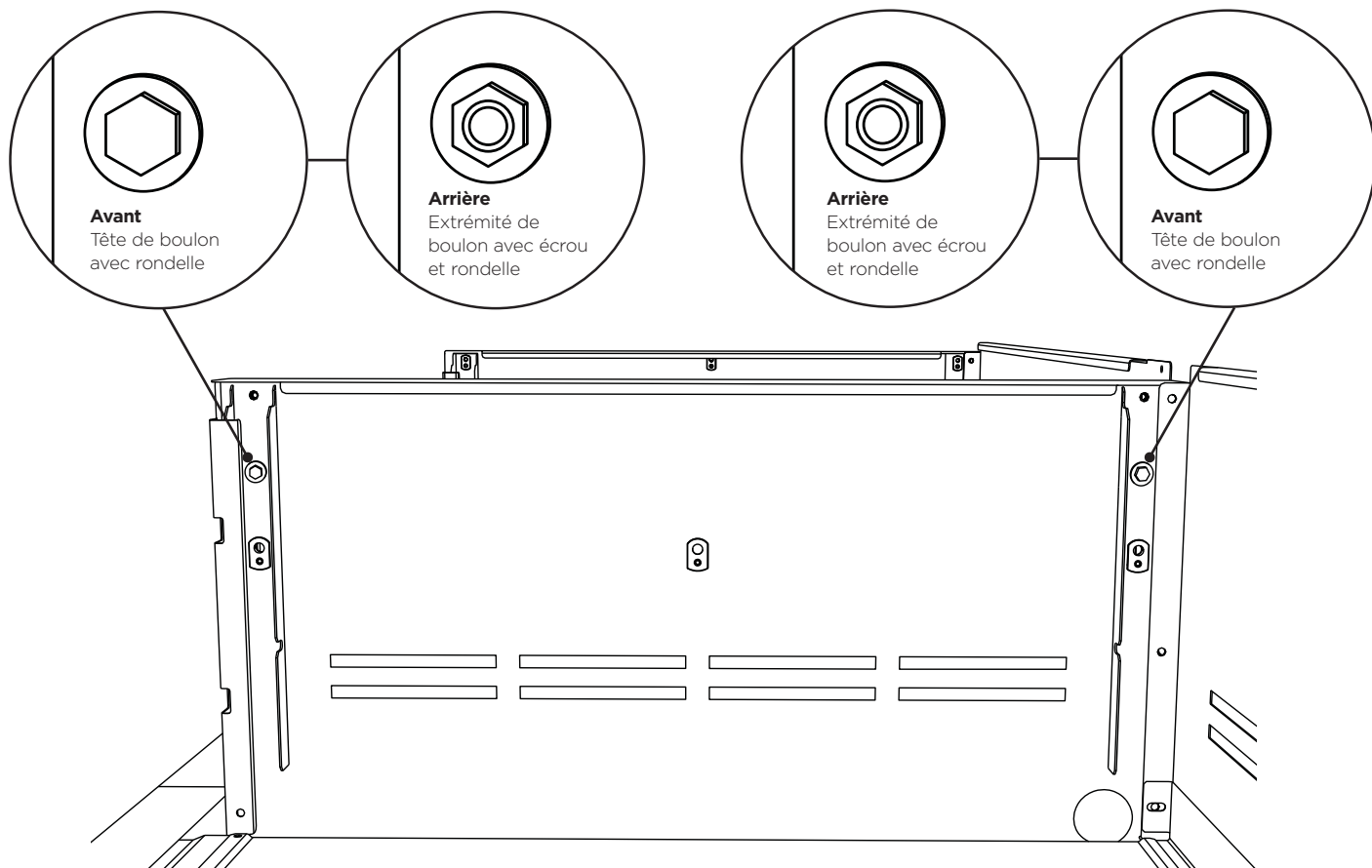
Instructions de montage de chariot

Regroupement de chariot (en option)

Pour regrouper deux chariots CAD1 ou plus, procédez aux instructions suivantes en premier, à l'aide de la visserie fournie, avant d'installer les modules supérieurs.

IMPORTANT!

Une fois que les chariots sont regroupés, ils ne peuvent plus être déplacés. Déplacer les chariots une fois regroupés risquerait de les endommager.

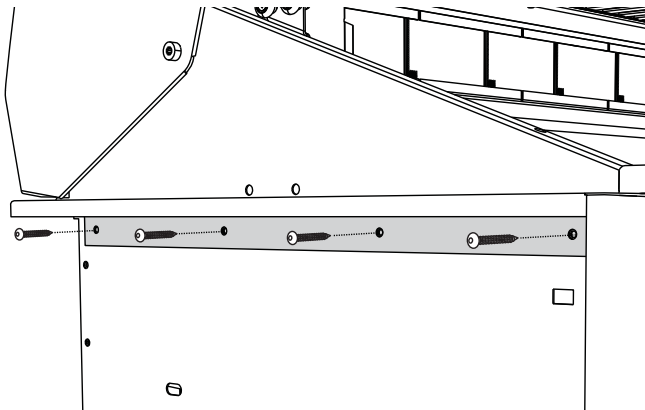


- ① Pour regrouper les chariots - serrez à la main deux boulons, quatre rondelles et deux écrous sur le devant et l'arrière des chariots comme l'indique.
- ② Serrez soigneusement à la clé les fixations une fois que les chariots sont alignés l'un avec l'autre.

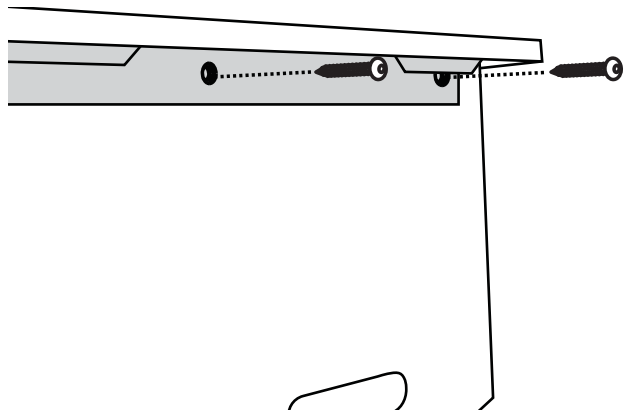
INSTALLATION

Instructions de montage de chariot

Préparation de la tête de l'appareil d'extérieur



① Il vous faut d'abord retirer les équerres du côté de l'appareil et les remplacer par les supports de fixation du chariot. L'appareil est expédié préparé pour une installation autoportante.



② Installez la languette de support de part et d'autre de la tête de l'appareil à l'aide de 8 des vis 10-24 x 1/2". Installez chaque support avec 4 vis de part et d'autre de la tête de l'appareil d'extérieur.

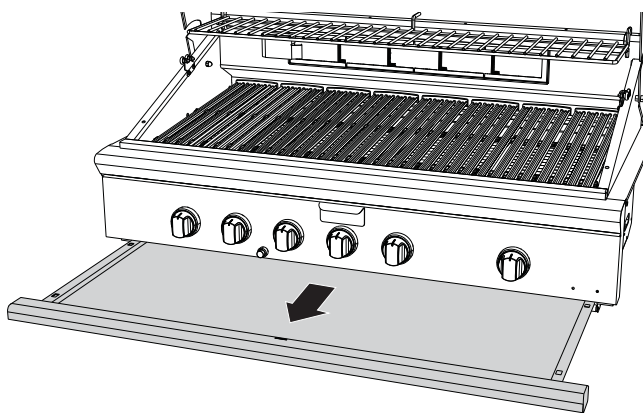
IMPORTANT!

Pour le modèle CAD1-48/48E, il y a deux jeux de consoles. Pour le modèle BGB48-BQR, utiliser les consoles marquées 48L et 48R. Pour le modèle BGB48-BQAR, utiliser les consoles marquées 48A.

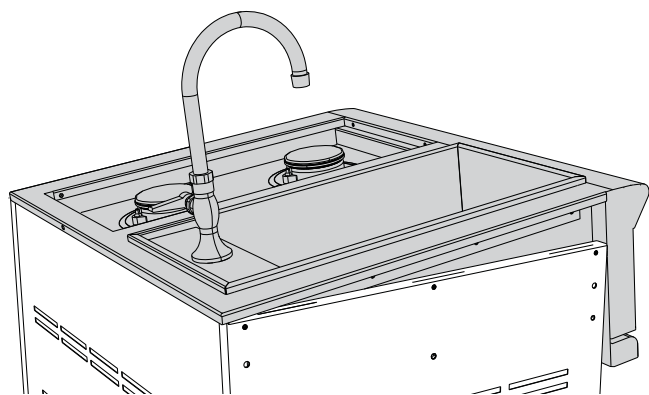
Placement de la tête sur le chariot - il faut deux personnes pour cette tâche

IMPORTANT!

- faites attention aux points de pincement.
- Il faut deux personnes pour soulever la tête.



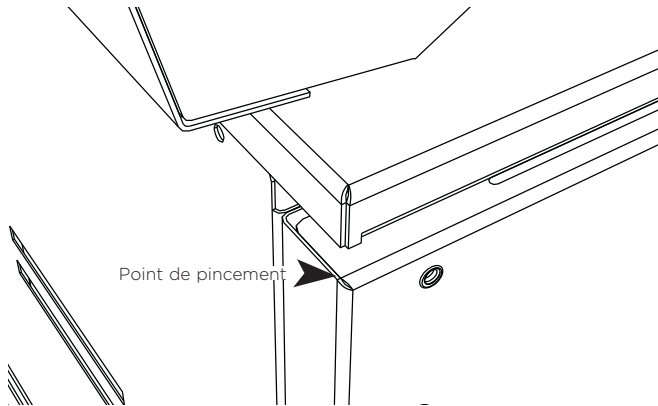
① Retirez le récipient à graisse/ramasse-gouttes et tous les autres composants amovibles (pour alléger la charge) telles que les grilles, les capuchons et composants de brûleurs, ainsi que le capuchon de conduit de plaque chauffante, le plateau radiant et le brûleur de grill pour faciliter le travail.



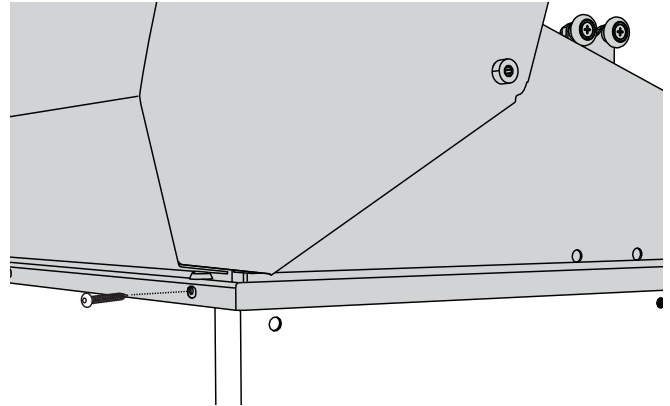
② Placement de la tête sur chariot (Double brûleur latéral/Évier illustrés) - Placez l'arrière de tête sur l'arrière du chariot en premier. Puis laissez les languettes latérales arrière se situer d'abord dans les fentes sur le dessus des côtés du chariot. Les autres languettes se situeront dans les fentes du milieu et du devant de sorte que la tête s'abaisse en position sur le chariot.

INSTALLATION

Instructions de montage de chariot

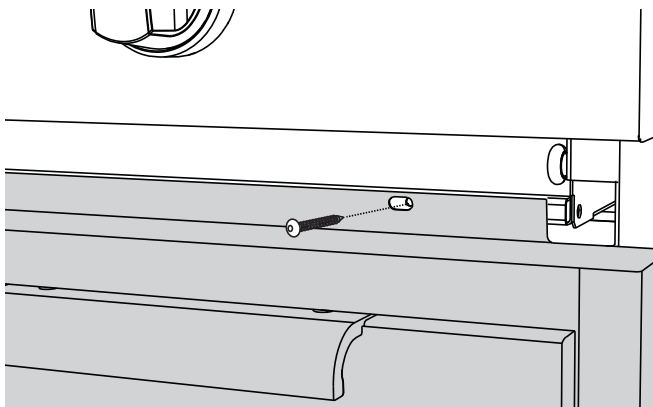


- ③ Positionnez les languettes sur le support latéral pour rentrer dans les fentes sur le chariot. Une fois terminé, la pièce d'appui doit affleurer le haut du chariot (sans appui).

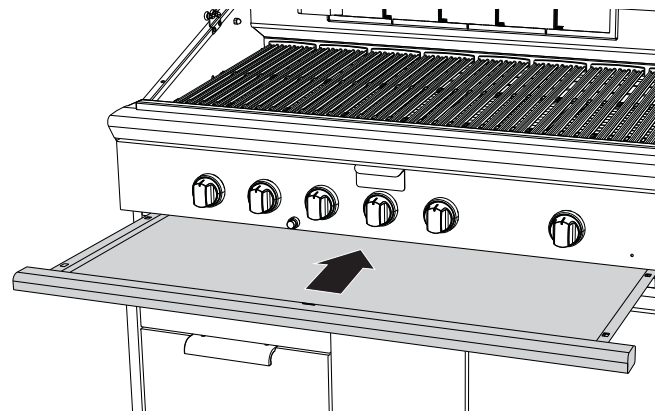


- ④ Fixez la tête à l'arrière du chariot à l'aide de deux vis cruciformes fournies (10-24 x 1/2").

Installation des vis sur le devant



- ① Installez les (Trois) autres vis (10-24 x 1/2") sur le devant de la tête du chariot.

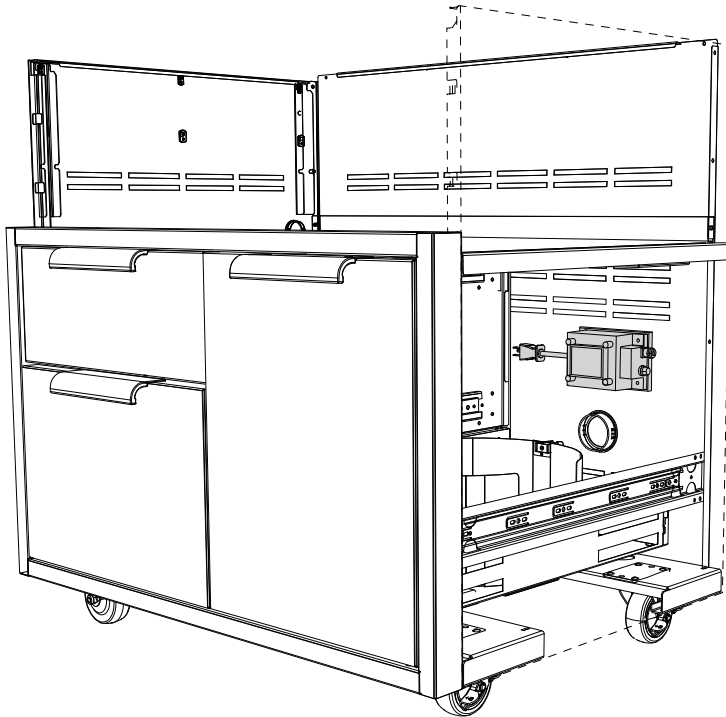


- ② Faites glisser le récipient à graisse/ramasse-gouttes en place et remontez les pièces retirées à l'Étape 3, n° 1.

INSTALLATION

Installation du transformateur (pour les grils de Série 9 uniquement)

Votre gril de Série 9 est fourni avec un transformateur servant à alimenter le dispositif d'allumage et l'éclairage interne, qui est dissimulé dans un boîtier avec un cordon d'alimentation électrique raccordé. Il est recommandé de fixer le transformateur sur le panneau arrière du chariot CAD1-E à l'aide des 4 trous prévus à cet effet.



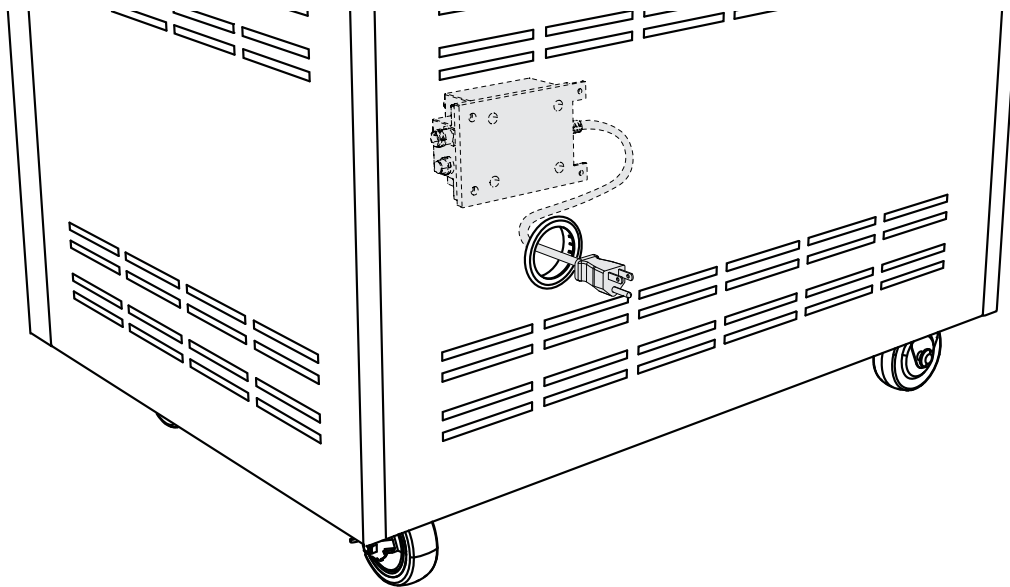
HZ	TENSION (V)	INTENSITÉ (A)
60 Hz	120 V	15

IMPORTANT!

Utilisez uniquement un circuit protégé par un disjoncteur différentiel de fuite à la terre (DDFT) avec ce transformateur.

L'emplacement d'installation conseillé se trouve au-dessus du trou par lequel le cordon de transformateur doit passer, qui est situé à l'intérieur, dans la partie droite du panneau arrière du chariot. Retirez le transformateur de son support, puis réutilisez les 4 écrous et boulons pour fixer le transformateur au chariot.

Acheminement du cordon de transformateur



Faites passer le cordon dans le trou prévu à cet effet, puis branchez-le à une prise électrique 120 V CA 15 A avec DDFT (disjoncteur différentiel de fuite à la terre) située à proximité.

INSTALLATION

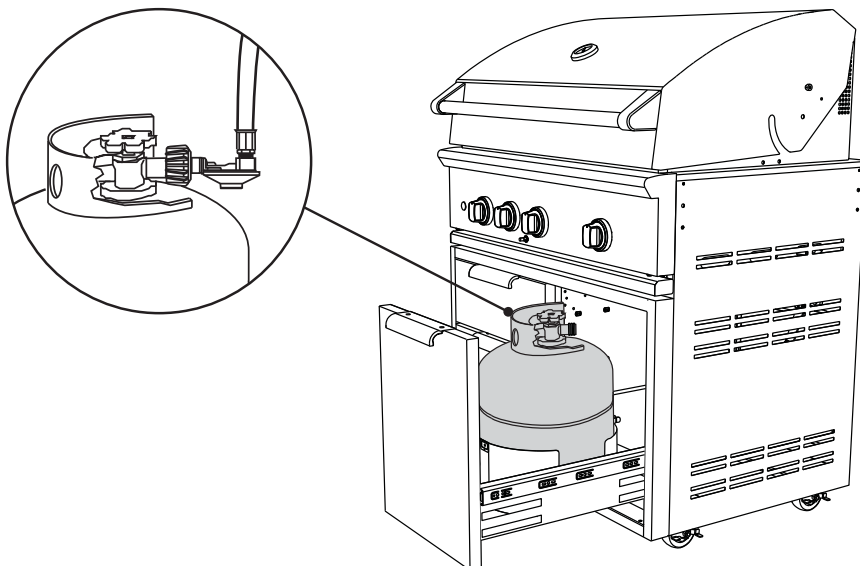
Instructions de montage de chariot

Branchement du gaz - propane

Assurez-vous que l'ensemble de chariot est stable. Ouvrez le tiroir de la bouteille. Placez la bouteille de propane comme l'indique. Raccordez l'ensemble du régulateur à la connexion de bouteille avec toutes les valves de l'appareil en position « OFF ». Ouvrez le robinet de la bouteille et vérifiez l'absence de fuite de gaz.

IMPORTANT!

- Pour éviter toute blessure corporelle ou tout dommage des tiroirs, ne les surchargez pas. La capacité maximum de chaque tiroir est de 16 kg (35 lb).
- N'appuyez pas sur le dessus des tiroirs. L'appareil pourrait basculer vers l'avant.

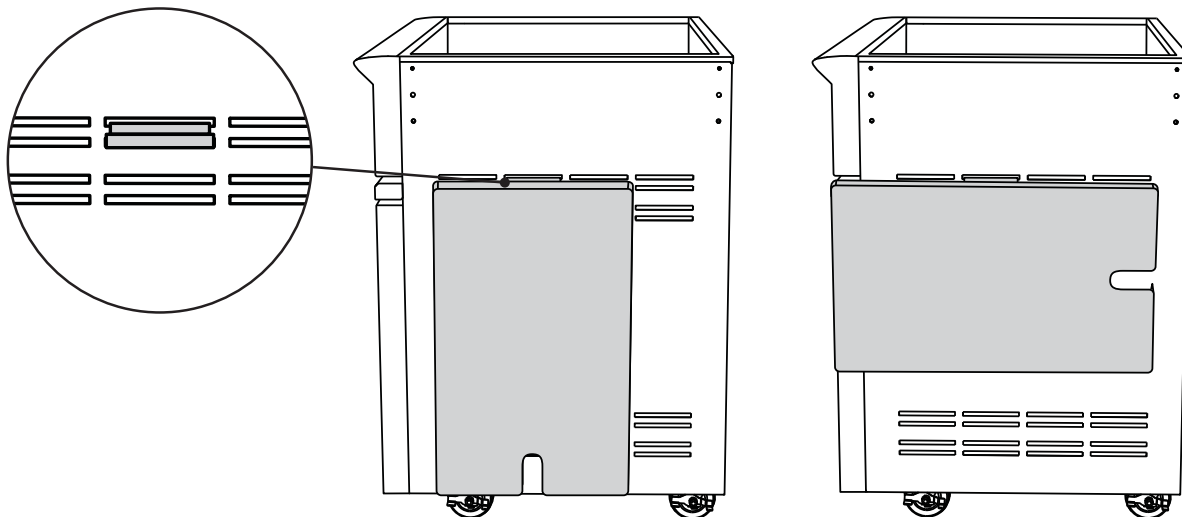


Crochet de couvercle

Pour utiliser les crochets de couvercle fournis, placer d'abord le crochet de couvercle dans la fente sur le côté ou l'arrière de la desserte. Suspending ensuite le couvercle dans l'un ou l'autre sens.

IMPORTANT!

Ne pas déplacer la desserte lorsque les couvercles sont accrochés. Ceux-ci risqueraient de tomber des crochets et d'être endommagés.

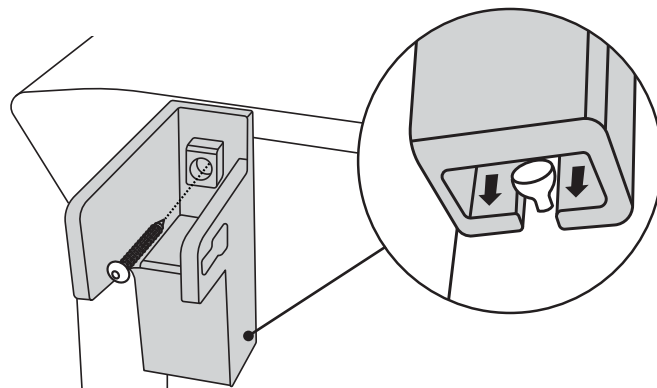
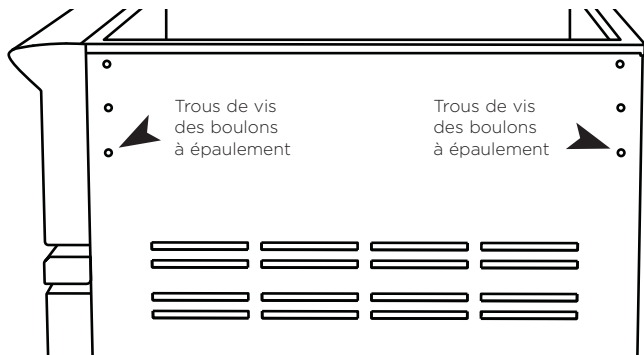


INSTALLATION

Tablette latérale (accessoire en option)

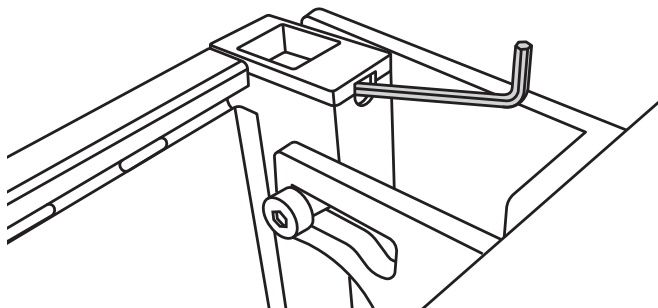
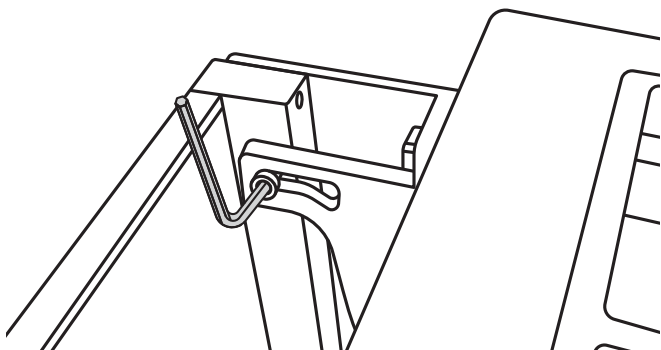
Attachez l'accessoire de tablette latérale d'un côté ou de l'autre.

Remarque: il est possible d'installer la tablette latérale modèle CAD1-SK avec la tête déjà sur le chariot.



- ① Vissez deux boulons à épaulement dans les orifices pour vis inférieurs sur le côté du chariot uniquement. Serrez à l'aide d'une clé Allen de 5/32.

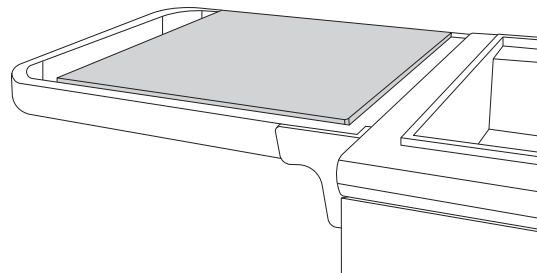
- ② Faites glisser les supports de tablette droit et gauche sur le boulon à épaulement et installez la vis supérieure maintenant les supports de tablette latérale sur le chariot. Serrez à l'aide d'un tournevis cruciforme.



- ③ En maintenant la tablette latérale, installez deux boulons à épaulement dans la fente et vissez dans le plateau de tablette latérale. Serrez à l'aide d'une clé Allen 3/16.

- ④ Placez la tablette en position relevée et vérifiez qu'elle est de niveau. Si la tablette n'est pas de niveau, ajustez la vis de réglage de la tablette latérale. Pour ajuster les vis de réglage, utilisez une clé Allen 3/32. Tournez la clé Allen dans le sens des aiguilles d'une montre pour relever la tablette. Tournez 1/4 de tour et inspectez pour voir si la tablette est de niveau. Les vis de réglage des supports gauche et droit doivent être ajustées de la même manière pour assurer que la tablette est de niveau.

La planche à découper en option (réf. CAD1-WCB, 70861) illustrée à la Figure 28 peut être achetée comme accessoire auprès du Service à la clientèle au www.dcsappliances.com.



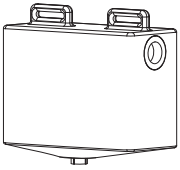

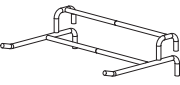













INSTALLATION

Fixation du kit de drain d'évier en option





Content included

Le kit d'accessoire de drain d'évier est emballé dans une boîte. La boîte contient les composants suivants:

Table de quantité

CONTENU	QTÉ	CONTENU	QTÉ
 Réservoir d'eau gris	1	 Bague de blocage 3-1/2"	1
 Console de réservoir	1	 Clip de sécurité à clapet	1
 Tuyau 3/4 Drain de réservoir	1	 Rondelle d'about 1-1/2"	2
 Clapet à bille 1/2"	1	 Raccord, 1/2 NPT x Tube 3/4 D.I.	1
 Adaptateur de tuyau d'eau	1	 Mamelon, 1-1/2" NPT	1
 Ensemble du tuyau de drain d'évier	1	 Coude, 4/2 NPT x Tube 3/4 D.I.	1
 Tuyau de robinet et conduit d'évacuation	1		
 Collier de serrage du tuyau, 9/16" x 1-1/16	2		
 Raccord en laiton, tube D.I. 1/4 x 1/8 NPT	1		
 Attache de câble	1		

Outils requis

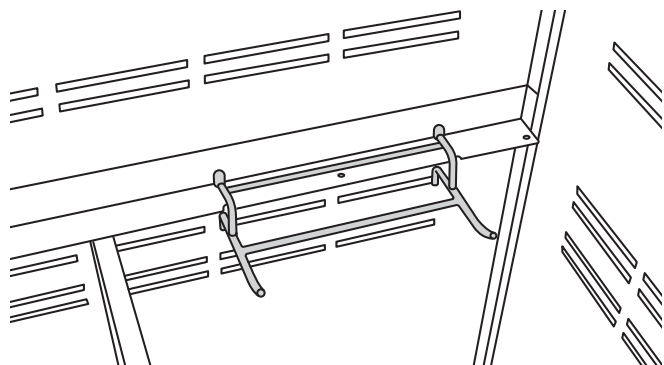
 Gants de travail	Gants de travail
 Clé à tube réglable	Clé à tube réglable
 Tournevis cruciforme	Tournevis cruciforme
 Tournevis tête plate	Tournevis tête plate

INSTALLATION

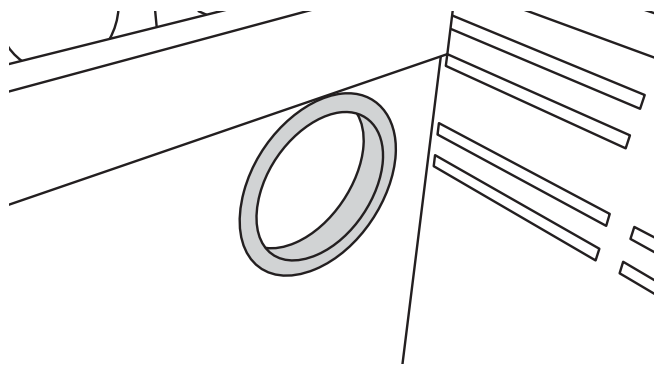
Fixation du kit de drain d'évier en option

IMPORTANT!

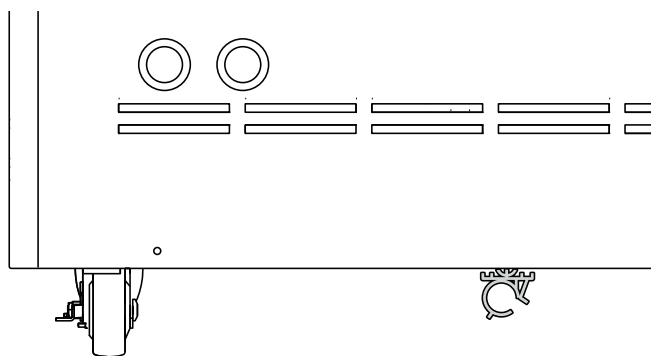
Retirer tous les paniers et les tiroirs de la desserte et des grilles. Retirer également les couvercles de brûleurs et la lèchefrite de l'ensemble brûleurs latéraux/évier avant d'installer le kit.



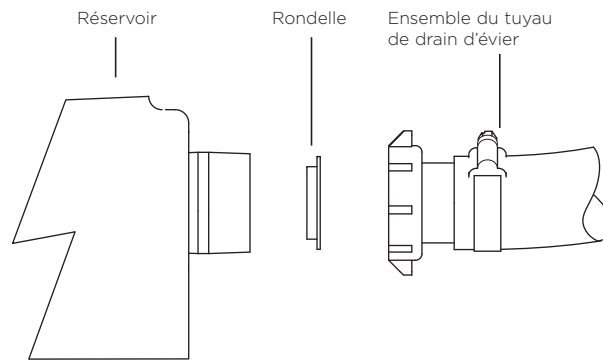
- ① Attacher la console du réservoir sur la droite de la desserte.



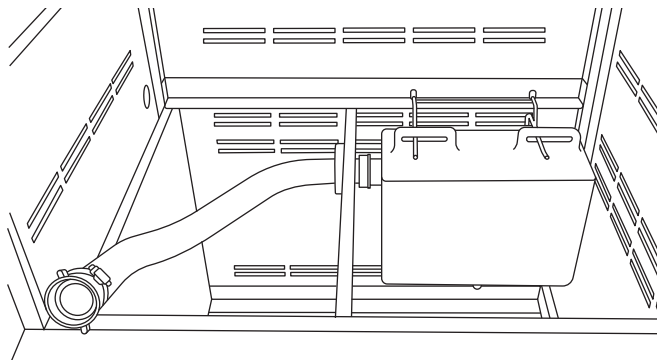
- ② Installez la bague d'accrochage dans le diviseur central.



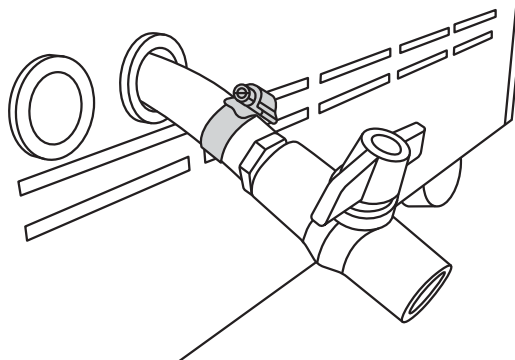
- ③ Installer la bague de blocage dans le séparateur central et le clip de sécurité à clapet dans le fond arrière de la desserte dans le trou prévu à cet effet. Noter le sens de l'installation.



- ④ Attacher l'ensemble de tuyau de drain d'évier au réservoir (une rondelle d'about incluse).



- ⑤ Installer l'ensemble réservoir/tuyau ci- dans la desserte, sur la console de réservoir, et acheminer le tuyau de drain d'évier dans le trou du séparateur central.



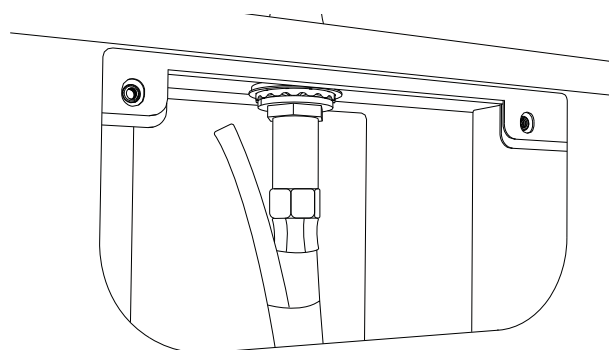
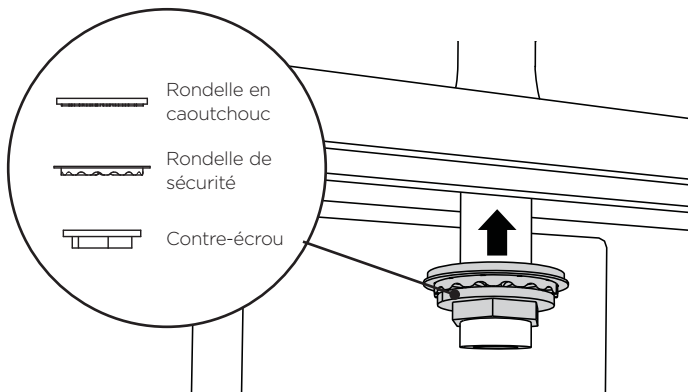
- ⑥ Attacher le clapet à bille 1/2" et le raccord au drain du réservoir et serrer le collier de serrage du tuyau.

INSTALLATION

Fixation du kit de drain d'évier en option

IMPORTANT!

Serrer à la main pour commencer puis utiliser une clé.



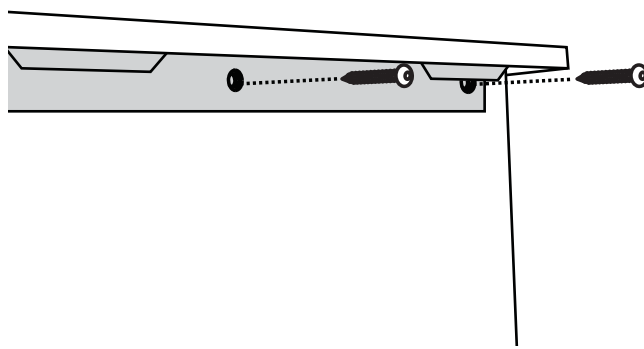
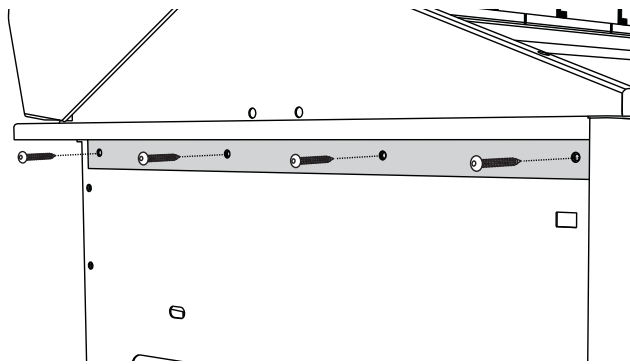
⑦ Poser l'ensemble brûleurs latéraux/évier solidement sur une table et attacher le robinet à l'évier.

⑧ Acheminer le tuyau d'alimentation en eau/le conduit d'évacuation de 0,9 m (trois pieds) par le trou situé au bas du boîtier des brûleurs et l'attacher au robinet.

⑨ Préparation de la tête de l'appareil d'extérieur.

IMPORTANT!

Risque de poids excessif. Déplacer et installer l'ensemble évier/brûleurs sur la desserte avec l'aide de deux personnes au minimum.



Ⓐ Il faudra d'abord retirer les consoles à équerre du côté de l'unité et les remplacer avec les consoles de fixation de desserte. L'unité est expédiée prête pour une installation en îlot.

Ⓑ Installer la patte de support de part et d'autre de la tête de l'appareil à l'aide de 8 des vis 10-24 x 1/2". Installer chaque console avec 4 vis de part et d'autre de la tête d'appareil d'extérieur.

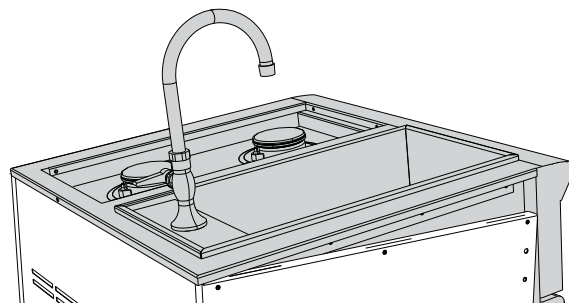
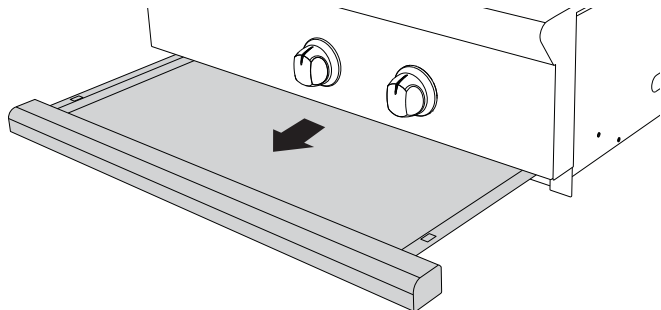
INSTALLATION

Fixation du kit de drain d'évier en option

- ⑩ Placer la tête sur la desserte (à deux personnes).

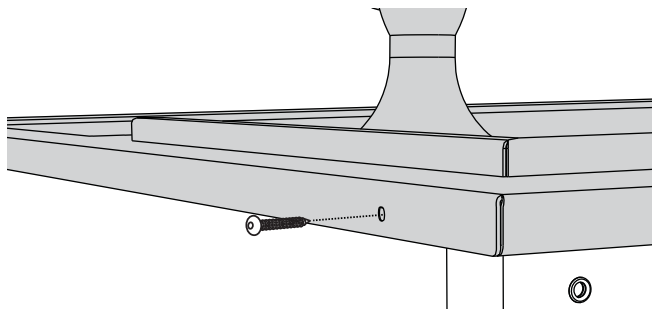
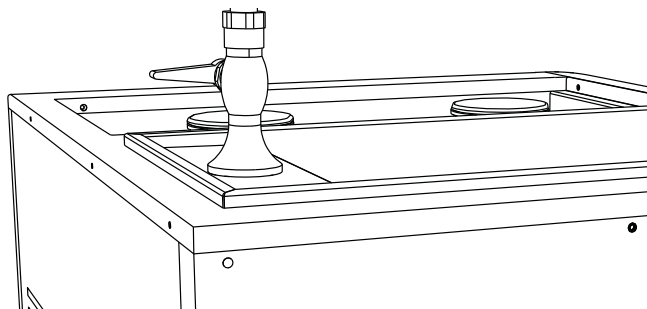
IMPORTANT!

Prêter attention aux points de pincement et aux bords coupants pour éviter toute blessure des bras et des mains.



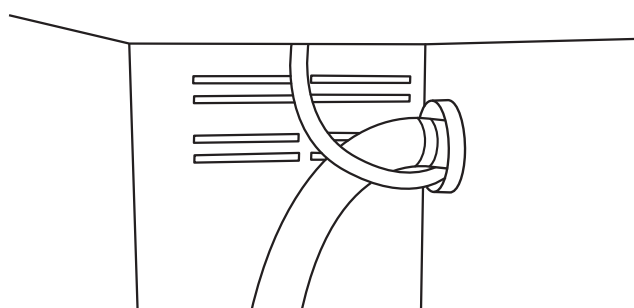
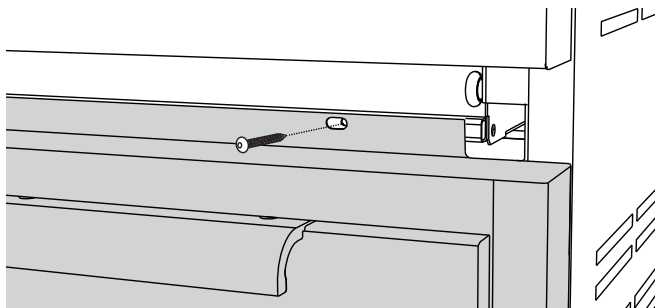
- Ⓐ Retirer la lèchefrite et tous les autres composants amovibles (pour alléger la charge) tels que grilles, couvercles de brûleurs et composants supérieurs pour faciliter la manutention.

- Ⓑ Pour placer la tête sur la desserte, placer l'arrière de la tête l'arrière de la desserte pour commencer puis laisser les pattes latérales arrière se placer d'abord dans les fentes sur le dessus des côtés de la desserte. Les autres pattes se placeront dans les fentes du milieu et du devant au fur et à mesure que la tête est abaissée en place sur la desserte.



- Ⓒ Positionner les pattes sur la console latérale pour rentrer dans les fentes sur la desserte. Une fois terminé, le rebord de réception doit être à fleur du dessus de la desserte.

- Ⓓ Fixer la tête à l'arrière de la desserte avec deux vis cruciformes (10-24 x 1/2") fournies.



- Ⓔ Visser les trois (3) autres vis (10-24 x 1/2") sur le devant de la tête dans la desserte.

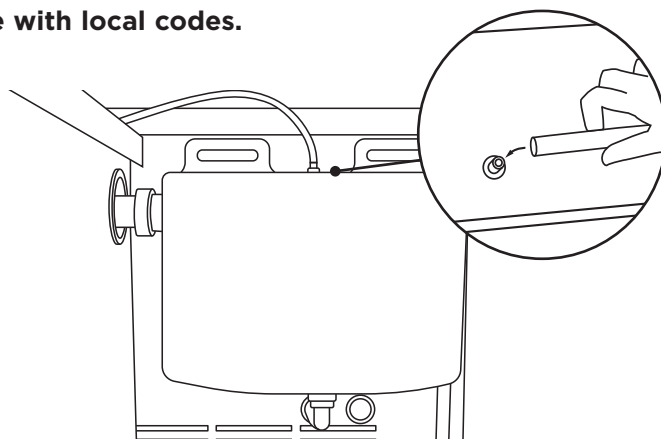
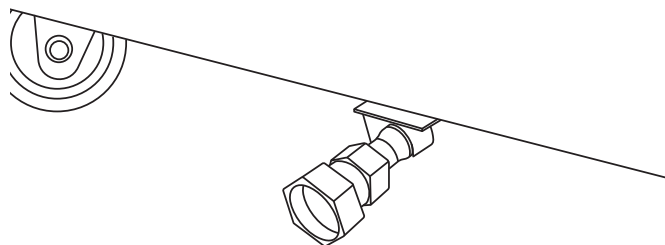
- Ⓕ Acheminer le tuyau d'alimentation en eau dans le trou du séparateur central, vers le bas vers l'ouverture inférieure de la desserte.

INSTALLATION

Fixation du kit de drain d'évier en option

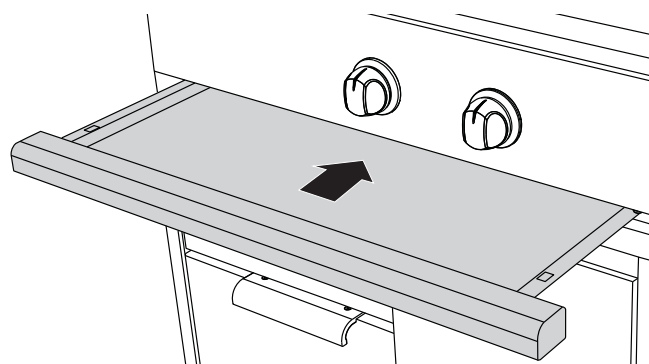
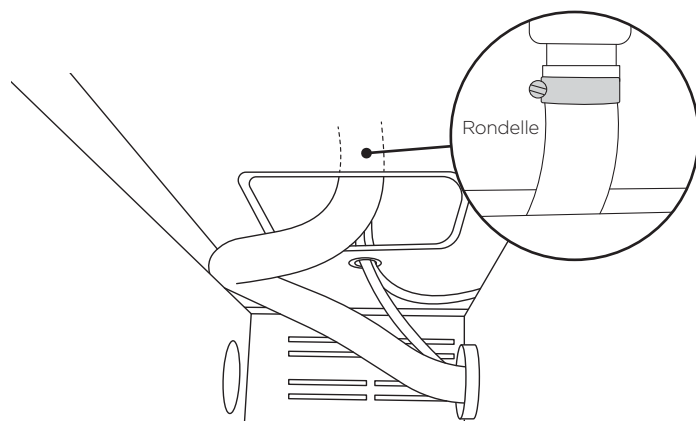
IMPORTANT!

Make sure you have the supply connection in accordance with local codes.



- ⑫ Placer l'extrémité du tuyau d'alimentation en eau dans le clip de sécurité à clapet et le bloquer en place. Attacher l'adaptateur du tuyau d'eau au tuyau d'alimentation en eau.

- ⑬ Acheminer le conduit d'évacuation sur le séparateur central et l'attacher au raccord en laiton situé sur le dessus du réservoir d'eau.



- ⑭ Attacher le tuyau de drain d'évier au bas de l'évier (utiliser une rondelle d'about). Faire remonter le tuyau de drain d'évier et sur le bord du panneau latéral. Ceci pour empêcher toute interférence entre ce tuyau et le panier supérieur. Ceci crée également un drainage approprié de l'évier vers le réservoir d'eau. Et/ou utiliser l'attache de câble fournie pour soutenir le tuyau.

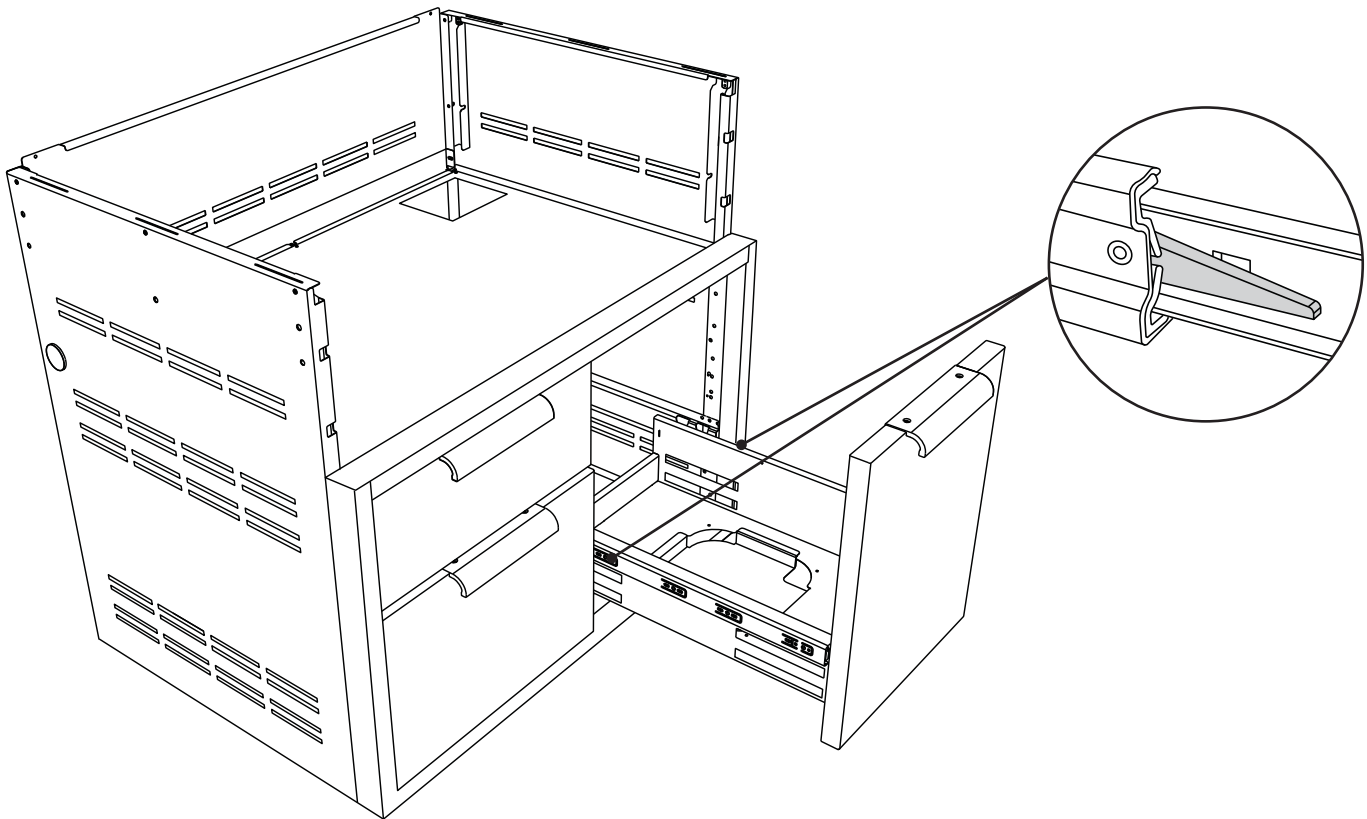
- ⑮ Faire glisser la lèchefrite en place et remonter les pièces retirées au n° 10A.

- ⑯ Attacher le tuyau d'eau froide (non fournir) à l'unité et tester le système pour s'assurer qu'il n'y a pas de fuite.
- Fermer le clapet à bille derrière la desserte.
 - Ouvrir le robinet.
 - Vérifier toutes les connexions à l'intérieur et à l'extérieur de la desserte.
 - En cas de fuite, couper l'alimentation en eau. Serrer les connexions qui fuient et tester à nouveau.

Dépose des tiroirs

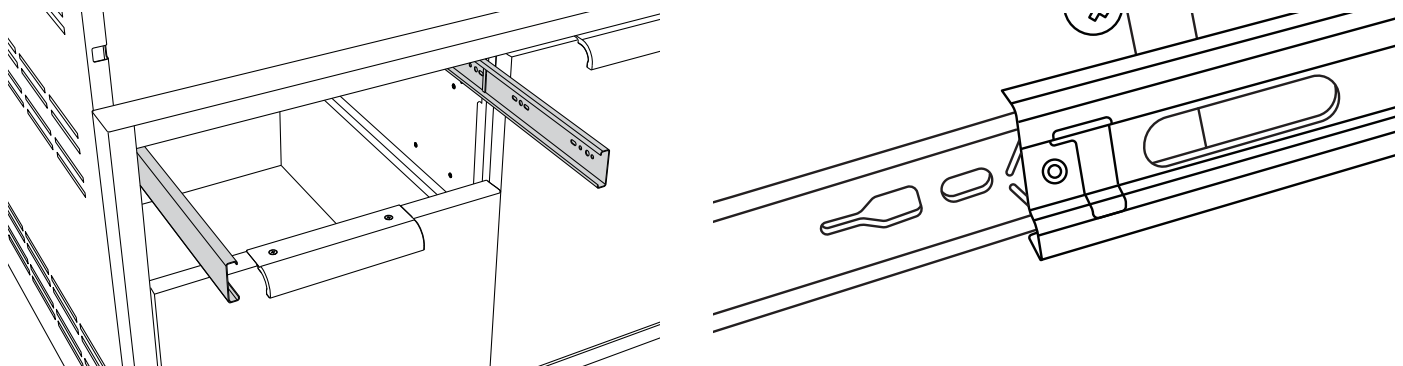
IMPORTANT!

Pour prévenir toute blessure corporelle ou tout dommage des tiroirs, ne pas les surcharger. La capacité maximale de chaque tiroir est de 15,8 kg (35 lbs).



- ① Pour retirer les tiroirs, les faire sortir jusqu'à ce que le loquet de coulisseau soit visible. Pousser soigneusement sur le loquet sur la gauche tout en faisant remonter le loquet sur la droite et sortir complètement le tiroir du bâti.
- ② Pour éviter d'endommager les surfaces, placer les tiroirs sur une surface stable sur une serviette de protection ou une nappe lorsqu'ils sont retirés de la desserte.

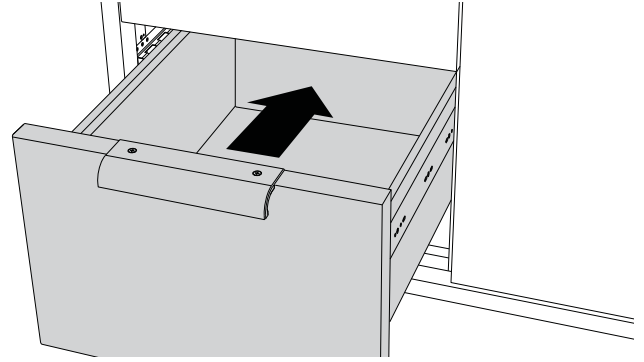
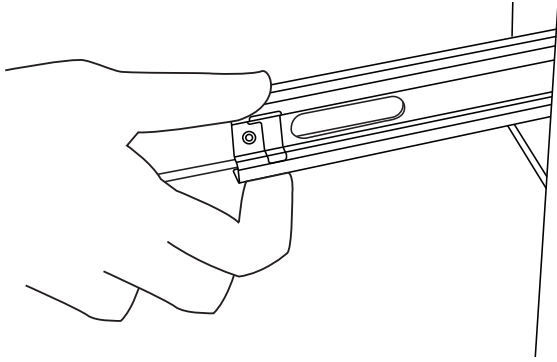
Remontage des tiroirs



- ① Remonter les tiroirs en étendant leurs guides.
- ② Tout en maintenant le tiroir parallèle à l'élément, aligner et engager soigneusement les extrémités des glissières. Faire sortir le tiroir sur environ 2,5 cm (1 pouce) de manière à ce que les glissières supportent l'arrière du tiroir.

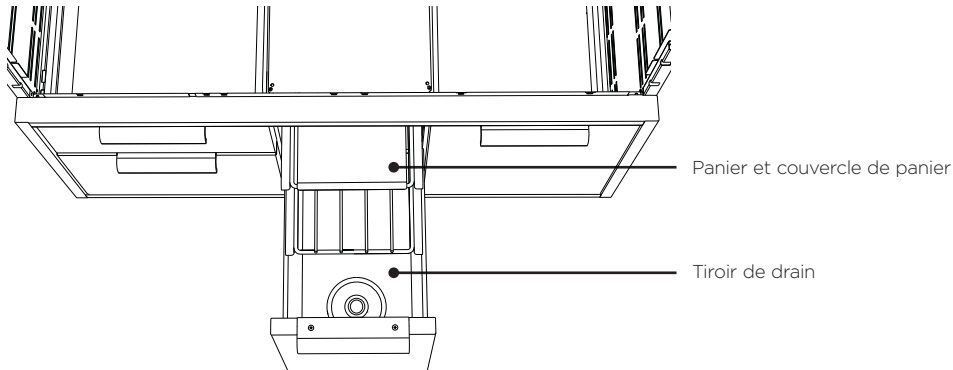
UTILISATION DE LA DESSERTTE

Ré-installation des tiroirs



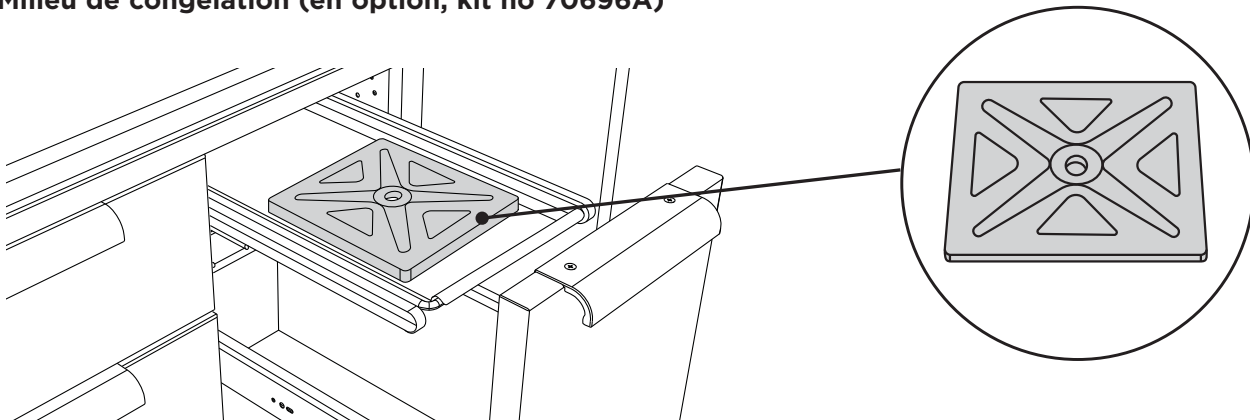
① Tout en maintenant le tiroir vers le haut par la poignée, tirer les glissières de la cavité du tiroir par-dessus la glissière du tiroir jusqu'à ce qu'elles cliquent.

② Au fur et à mesure que les tiroirs sont rentrés, il doit se produire une résistance modérée. Continuer à enfoncer le tiroir complètement pour terminer le processus d'engagement. Maintenant, le tiroir rentrera et sortira en glissant uniformément et avec peu d'effort.



③ Installer deux paniers dans l'ouverture en les faisant glisser sur les roulettes des parois latérales de la cavité gauche.

Milieu de congélation (en option, kit no 70696A)



- ① Placer le milieu de congélation dans le congélateur, en le posant à plat.
- ② Faire congeler pendant la nuit ou un minimum de huit heures.
- ③ Placer le milieu de congélation dans le plateau en acier sur la deuxième étagère, dans la cavité appropriée du tiroir gauche. Le milieu de congélation est lavable au lave-vaisselle. Ou le laver à l'eau savonneuse tiède, rincer et sécher à l'air. Entreposer à plat dans un espace de rangement au sec ou au congélateur.

ENTRETIEN ET MAINTENANCE

Toutes les pièces de la desserte de gril professionnel peuvent être lavées à l'eau savonneuse chaude, rincées, séchées et polies pour être brillantes à l'aide d'un chiffon doux et épais. Toujours commencer par cette procédure de nettoyage la plus douce.

- ① Utiliser la procédure de nettoyage la plus douce pour commencer. Certaines marques de nettoyeurs du même type sont plus dures que d'autres, lire leur mode d'emploi. Un parfum ou un ergol peut faire une différence dans le produit, lire les ingrédients. Faire un essai sur une petite surface.

Faire attention de ne pas mettre de savon de nettoyage ou d'eau sur le régulateur.

- ② Pour éviter de gâcher la surface, toujours frotter les finis métalliques dans le sens des lignes du poli de l'acier inoxydable (grain). Le produit de nettoyage sera plus efficace lorsqu'il est utilisé dans le sens des lignes du poli.
- ③ Utiliser uniquement des éponges propres, des chiffons doux, des essuie-tout, des tampons savonneux non métalliques en plastique pour nettoyer ou récuser tel qu'il l'est recommandé dans cette section. (Utiliser uniquement des tampons savonneux qui sont toujours imprégnés de savon. Un tampon vide peut rayer).
- ④ S'assurer de bien rincer toutes les pièces et de les essuyer pour éviter de laisser des traces d'eau.
- ⑤ Après le nettoyage, utiliser un produit à polir pour acier inoxydable, tel que Stainless Steel Magic® et l'appliquer sur les surfaces des tiroirs et des poignées.

Produits de nettoyage de marque

Dans cette section traitant du nettoyage, l'utilisation des marques n'a pour but que d'indiquer un type de produit de nettoyage. Ceci ne constitue en aucun cas une promotion de la marque. L'omission de toute marque n'implique pas son caractère adéquat ou inadéquat. De nombreux produits ont une distribution régionale et peuvent se trouver dans les marchés et grands magasins locaux.

SERVICE

Pour le service sous garantie, contactez votre distributeur ou le Centre de service à la clientèle DCS au www.dcsappliances.com. Veuillez avoir les informations suivantes à portée de main:

- Numéro de modèle (se trouve à l'intérieur de la paroi gauche du tiroir de bouteille).
- Numéro de série (se trouve à l'intérieur de la paroi gauche du tiroir de bouteille).
- Code (se trouve à l'intérieur de la paroi gauche du tiroir de bouteille).
- Date d'installation
- Brève description du problème

Votre satisfaction revêt la plus grande importance pour nous. Si un problème n'est pas résolu à votre entière satisfaction, veuillez communiquer avec nous:

Écrivez

Fisher & Paykel Appliances Inc.
Attention: DCS Customer Care
695 Town Center Drive, Suite 180
Costa Mesa. CA 92626-1902 USA

Email

customer.care@fisherpaykel.com

Remplir et conserver pour référence ultérieure:

Modèle _____

N° de série _____

Date d'achat _____

Acheteur _____

Détaillant _____

Banlieue _____

Ville _____

Pays _____

www.dcsappliances.com

Copyright © Fisher & Paykel 2018. All rights reserved.

The product specifications in this booklet apply to the specific products and models described at the date of issue. Under our policy of continuous product improvement, these specifications may change at any time. You should therefore check with your Dealer to ensure this booklet correctly describes the product currently available.

Droits réservés © Fisher & Paykel 2018.

Les spécifications du produit contenues dans ce manuel s'appliquent aux modèles et produits spécifiques comme décrits à la date de publication.

Dans le cadre de notre politique d'améliorations en permanence de nos produits, ces spécifications pourront être modifiées à tout moment. Nous vous recommandons de vérifier auprès de votre revendeur que ce manuel décrit le produit actuellement disponible.

US CA

591649B 10.18