

SPECIFICATIONS

SINGLE CONTROL PRESSURE BALANCE MIXING VALVE WITH DIVERTER & SCREWDRIVER STOPS

Model

D113000BT

Description

- Ceramic disc valve
- Diverter on valve
- With high temperature limit adjustment
- Combination ½" copper sweat/IPS 4-port hook up
- Back-to-back installation feature
- Mounting bracket & plaster guard included
- Valve will perform at ASSE 1016 standards when flow rate is restricted to 2.0gpm

Standards



- UPC/cUPC

MEETS ASME
A112.18.1M/ A112.18.1

- ASME A112.18.1M/ A112.18.1



- CSA B125.1

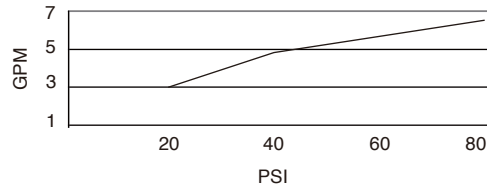
MEETS ASSE
1016

- ASSE 1016

Warranty

Danze products are covered by a manufacturer's limited "lifetime" warranty for manufacturing defects.

Flow Rate



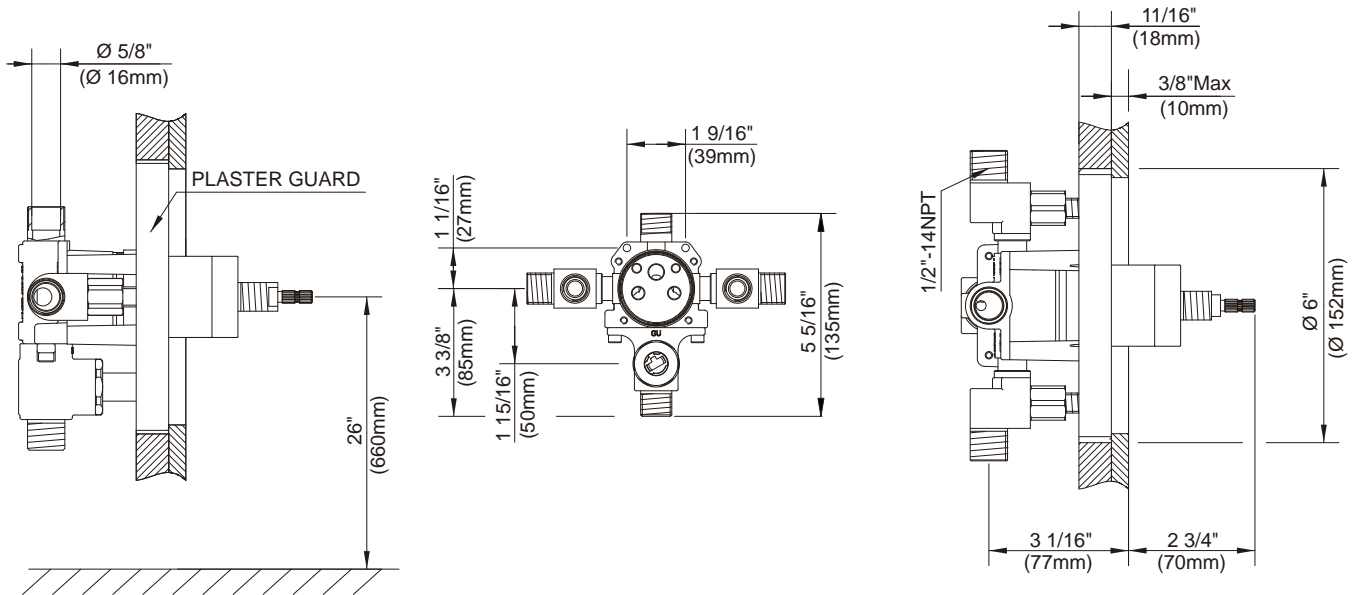
Special Packaging

- Trim kits for this valve are packaged separately. Fits all Danze single handle tub/shower & shower only trims
- Model numbers for trim kit items include the suffix "T"



Finishes Available

- Rough Brass



Submittal Information:

Job Name: _____

Location: _____

Contractor: _____

Contact #: _____

SPECIFICATIONS

SONORA™ SINGLE HANDLE PRESSURE BALANCE TUB & SHOWER FAUCET

Model

D504054

Description

- Single handle with 4" downpour showerhead
- Cast slip-fit spout
- Diverter on valve (Tub & Shower only)
- Back to back installation capabilities

Standards



- UPC/cUPC
- Energy policy act of 1992



- ASME A112.18.1



- CSA B125



- ASSE 1016

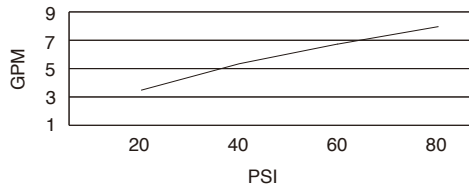


- ADA Accessibility Guidelines for Buildings and Facilities - 4.27.4 Controls and Mechanisms

Warranty

Danze products are covered by a manufacturer's limited "lifetime" warranty for manufacturing defects.

Flow Rate



Trim Kits:

- (for use w/pressure balance valves)
- D504054T (Tub/Shower trim)
- D504554T (Shower only trim)
- D500654T (Tub trim w/valve escutcheon) ▲
- D500454T (Valve only escutcheon trim w/diverter)
- D510454T (Valve only escutcheon trim w/o diverter)

Special Packaging

- This product also available with valve packaged separate from trim.
- Tub & Shower and Valve Only Escutcheon w/Diverter Trim Kit - use w/valve: D113000BT (w/diverter & stops)
- Shower Only & Tub & Valve Only Escutcheon w/o Diverter Trim Kit - use w/valve: D112000BT (w/stops) or D115000BT (w/o stops)
- Pressure Balance Valves are combination 1/2" copper sweat, 1/2" NPT threaded connectors for all ports.

▲ Will be discontinued, limited stock available

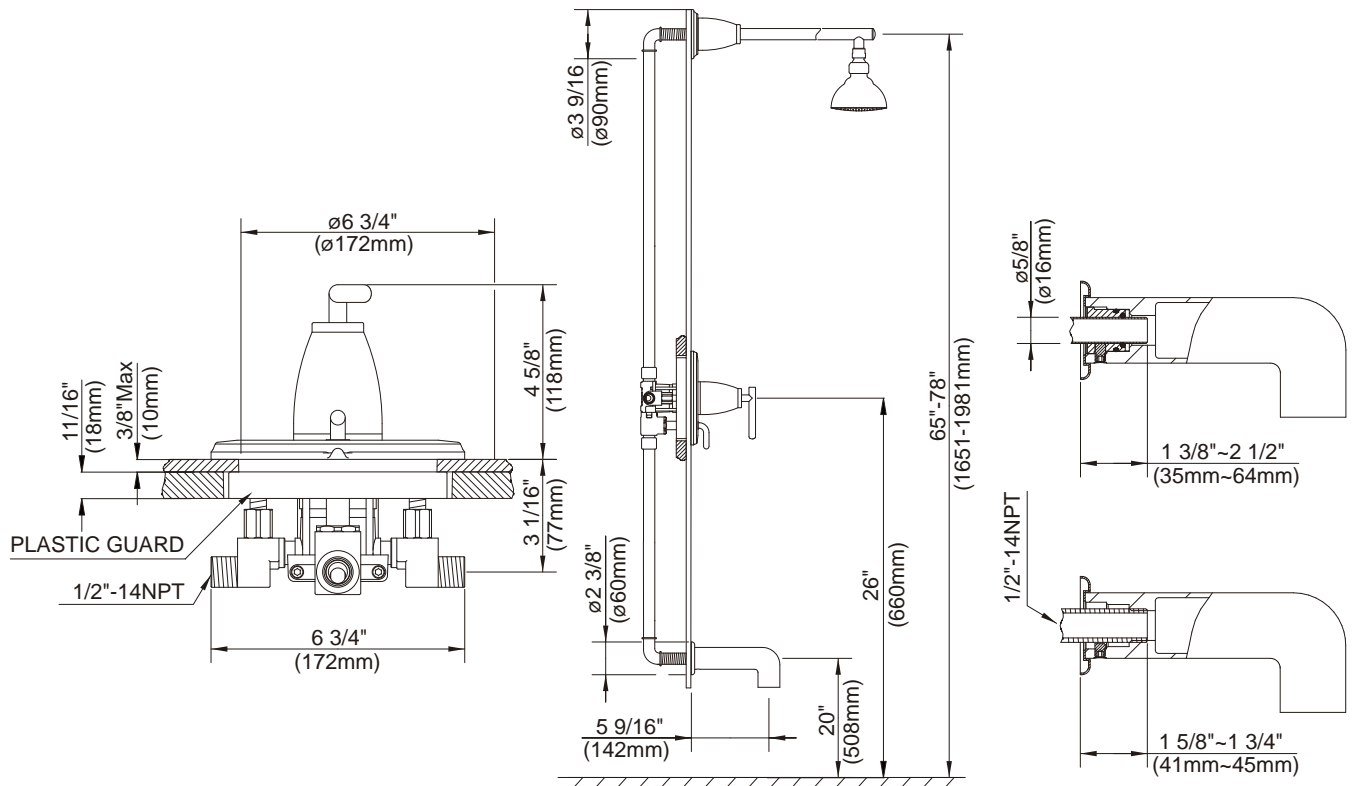


Finishes Available

- Chrome
- Other: Refer to Price List for additional finish

With Diverter & Stops:
D504054(Tub/Shower)

With Stops:
D504554 (Shower only)



Submittal Information:

Job Name: _____
Contractor: _____

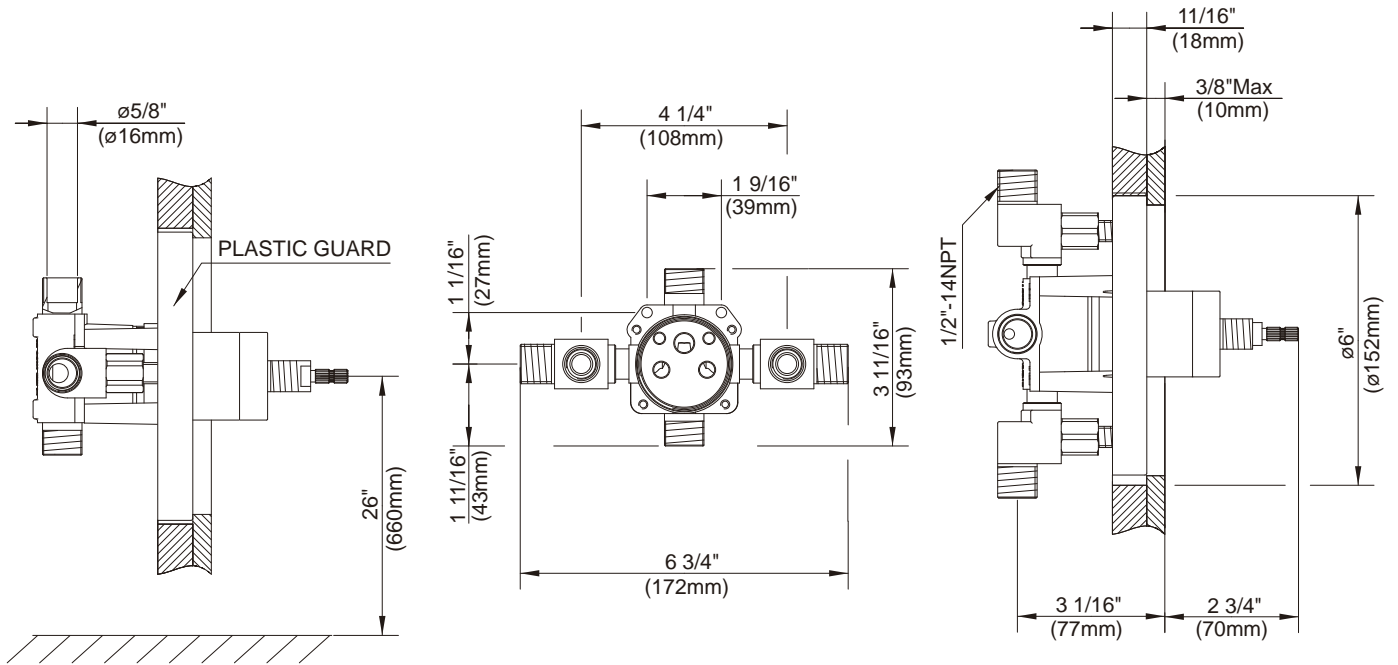
Location: _____
Contact #: _____

SPECIFICATIONS

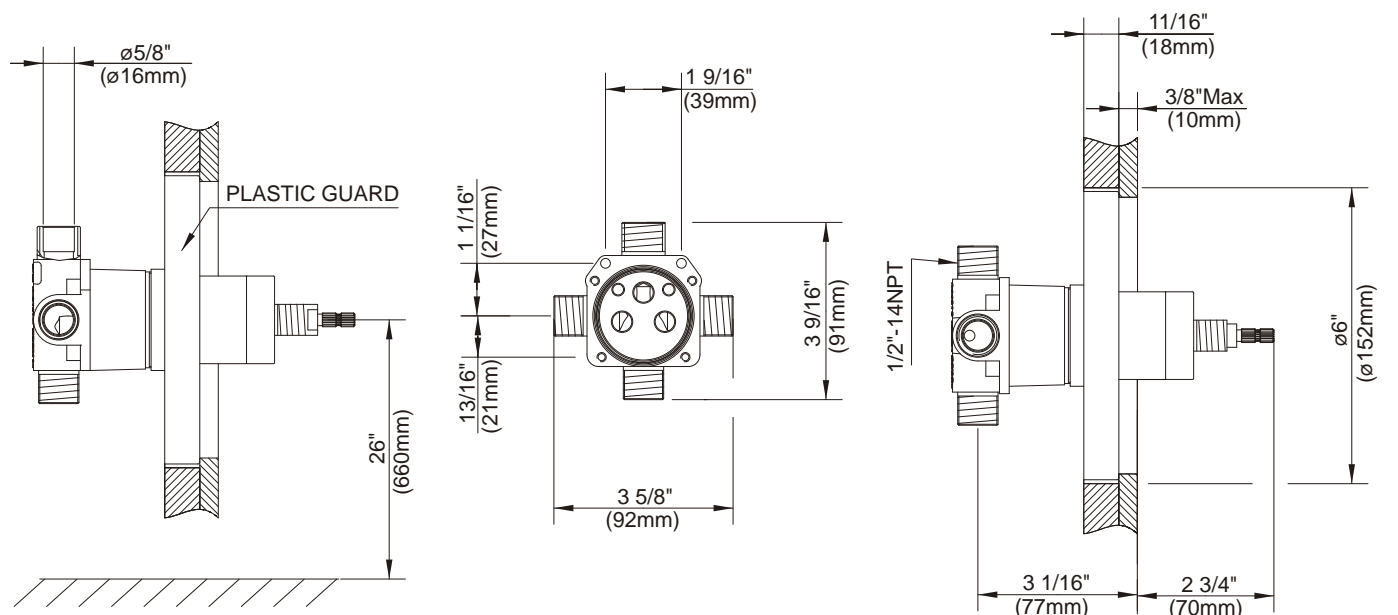
SONORA™ SINGLE HANDLE PRESSURE BALANCE TUB & SHOWER FAUCET

Critical Dimensions : Rough-in valve D112000BT (w/stops) & D115000BT (w/o stops)

W/SCREWDRIVER STOPS



W/DIVERTER & STOPS



Submittal Information:

Job Name: _____

Location: _____

Contractor: _____

Contact #: _____