

## SPECIFICATIONS

### SINGLE CONTROL PRESSURE BALANCE MIXING VALVE WITH DIVERTER & SCREWDRIVER STOPS

#### Model

D113000BT

#### Description

- Ceramic disc valve
- Diverter on valve
- With high temperature limit adjustment
- Combination ½" copper sweat/IPS 4-port hook up
- Back-to-back installation feature
- Mounting bracket & plaster guard included
- Valve will perform at ASSE 1016 standards when flow rate is restricted to 2.0gpm

#### Standards



- UPC/cUPC

MEETS ASME  
A112.18.1M/ A112.18.1

- ASME A112.18.1M/ A112.18.1



- CSA B125.1

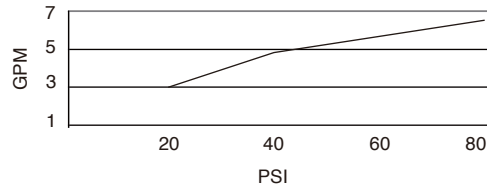
MEETS ASSE  
1016

- ASSE 1016

#### Warranty

Danze products are covered by a manufacturer's limited "lifetime" warranty for manufacturing defects.

#### Flow Rate



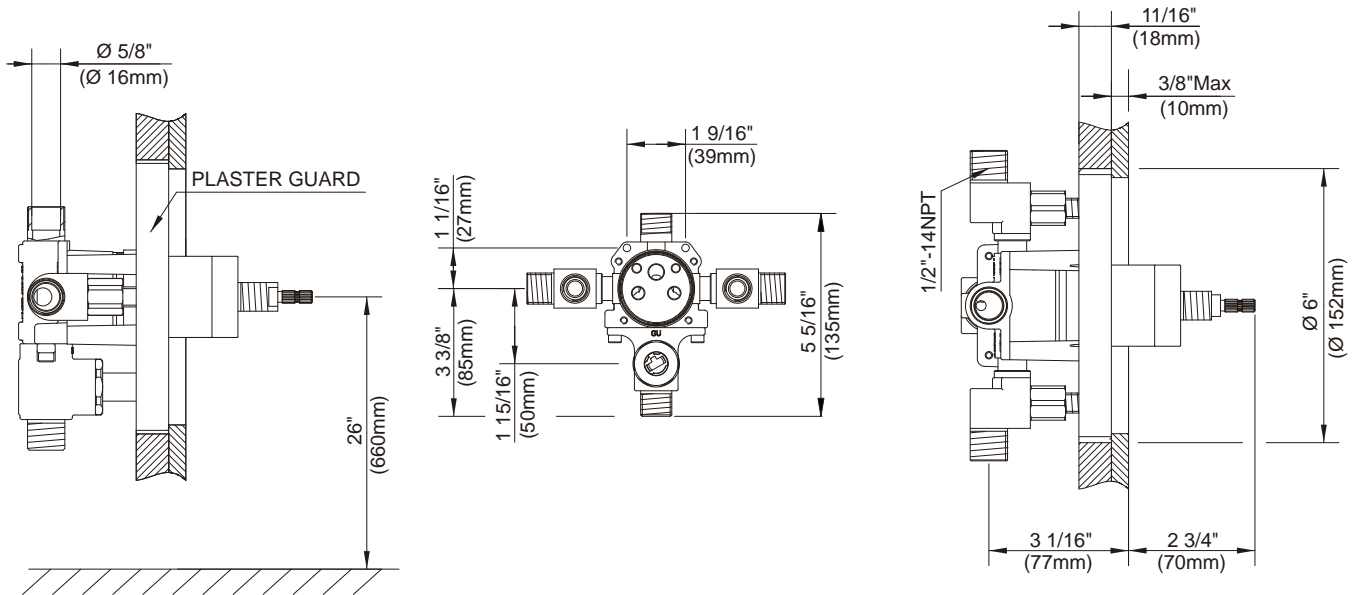
#### Special Packaging

- Trim kits for this valve are packaged separately. Fits all Danze single handle tub/shower & shower only trims
- Model numbers for trim kit items include the suffix "T"



#### Finishes Available

- Rough Brass



#### Submittal Information:

Job Name: \_\_\_\_\_

Location: \_\_\_\_\_

Contractor: \_\_\_\_\_

Contact #: \_\_\_\_\_

**SPECIFICATIONS**

**SOUTH SEA™ SINGLE HANDLE LAVATORY FAUCET**

**Model**

D225545 (Replaces D221145 series)

**Description**

- Ceramic disc valve
- 4" high spout, 5" spout length
- Metal touch down drain assembly
- Single hole mount with optional deck plate

**Standards**



- NSF 61-9
- Energy Policy Act of 1992



NSF/ANSI 372

- ASME A112.18.1M/A112.18.1
- NSF/ANSI 372
- CSA B125.1

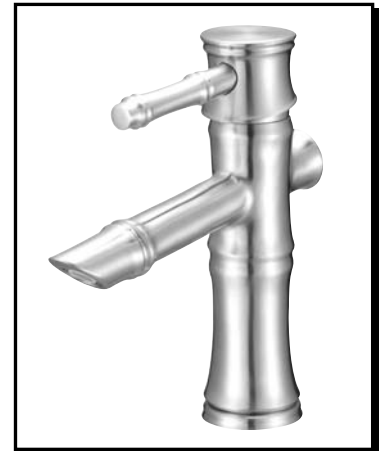
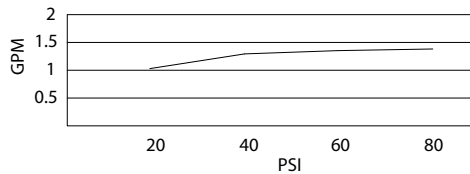


- ADA Accessibility Guidelines for Buildings and Facilities - 4.27.4 Controls and Mechanisms

**Warranty**

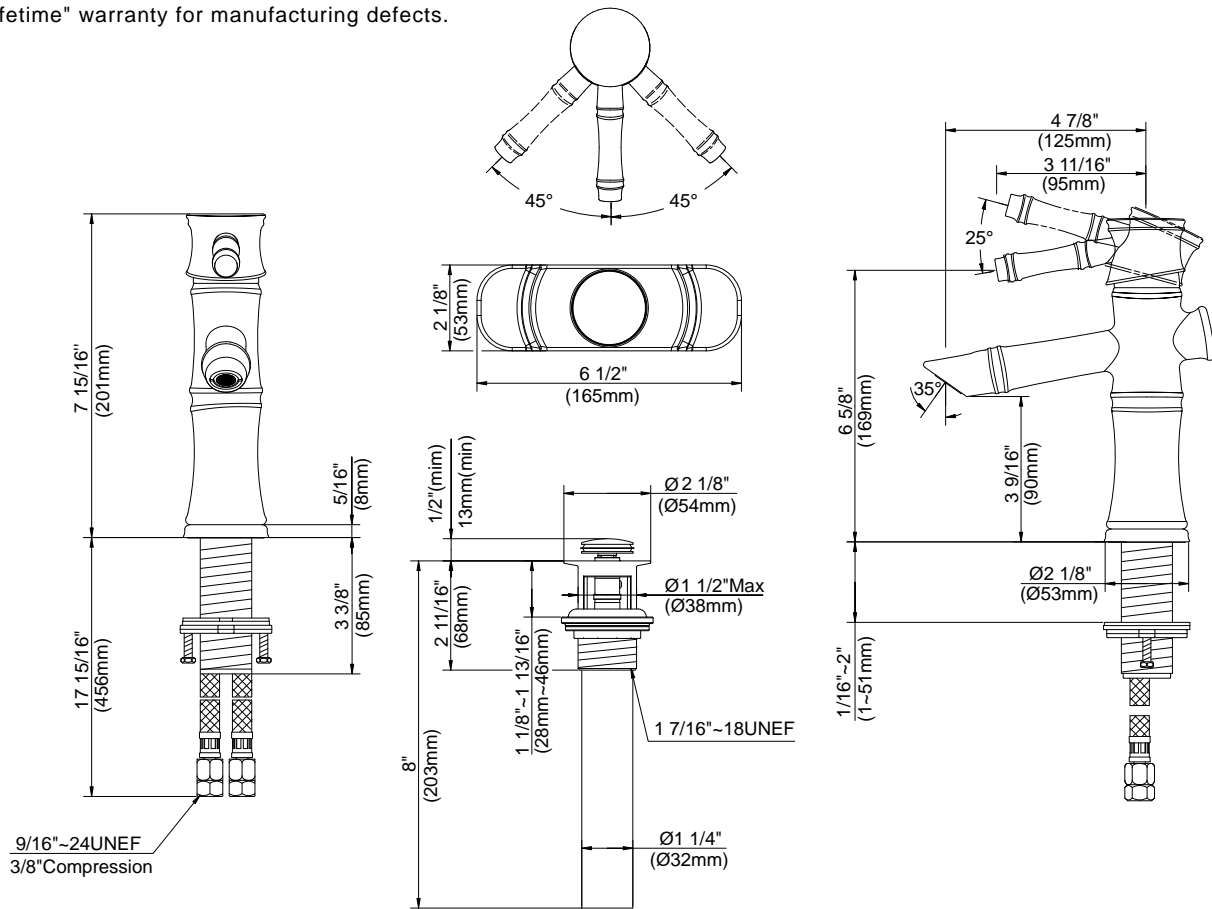
Danze products are covered by a manufacturer's limited "lifetime" warranty for manufacturing defects.

**Flow Rate**



**Finishes Available**

- Brushed Nickel (BN)
- Other: Refer to Price List for additional finish



**Submittal Information:**

Job Name: \_\_\_\_\_  
 Contractor: \_\_\_\_\_

Location: \_\_\_\_\_  
 Contact #: \_\_\_\_\_

**SPECIFICATIONS**

**SOUTH SEA™ SINGLE HANDLE PRESSURE BALANCE TUB & SHOWER FAUCET**

**Model**

D500045

**Description**

- 6" three function traditional style showerhead
- All brass 6" shower arm
- Combination 1/2" copper sweat/IPS 4-port hook up
- Diverter on valve (Tub & Shower Only)

**Standards**



- UPC/cUPC
- Energy policy act of 1992



- ASME A112.18.1



- CSA B125



- ASSE 1016

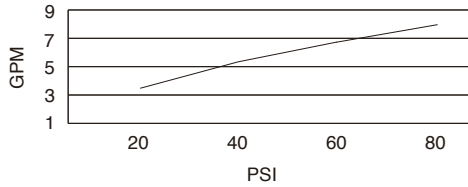


- ADA Accessibility Guidelines for Buildings and Facilities - 4.27.4 Controls and Mechanisms

**Warranty**

Danze products are covered by a manufacturer's limited "lifetime" warranty for manufacturing defects.

**Flow Rate**

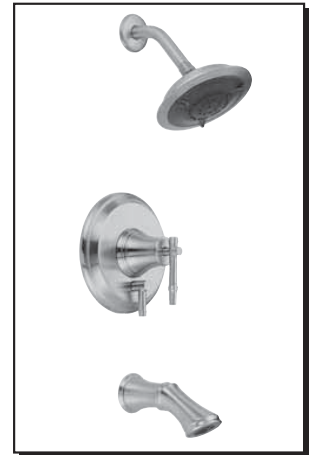


**Trim Kits:**

- (for use w/pressure balance valves)
- D500045T (Tub/Shower trim)
- D500545T (Shower only trim)
- D500445T (Valve only escutcheon trim w/diverter)
- D510445T (Valve only escutcheon trim w/o diverter)

**Special Packaging**

- This product also available with valve packaged separate from trim.
- Tub & Shower and Valve Only Escutcheon w/Diverter Trim Kit - use w/valve: D113000BT (w/diverter & stops)
- Shower Only & Valve Only Escutcheon w/o Diverter Trim Kit - use w/valve: D112000BT (w/stops) or D115000BT (w/o stops)
- Pressure Balance Valves are combination 1/2" copper sweat, 1/2" NPT threaded connectors for all ports.

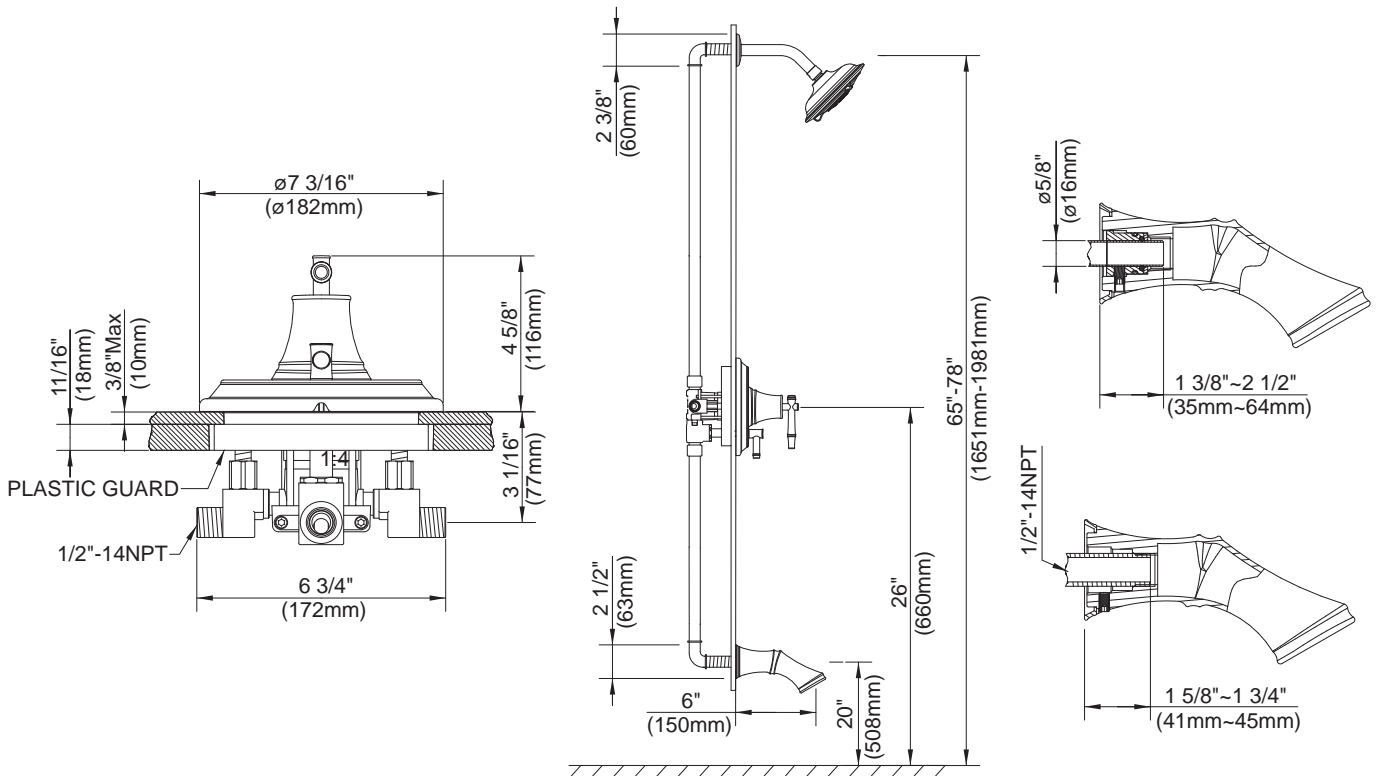


**Finishes Available**

- Chrome
- Other: Refer to Price List for additional finish

**With Diverter & Stops:**  
500045 (Tub/Shower)

**With Stops:**  
500545 (Shower only)



**Submittal Information:**

Job Name: \_\_\_\_\_  
Contractor: \_\_\_\_\_

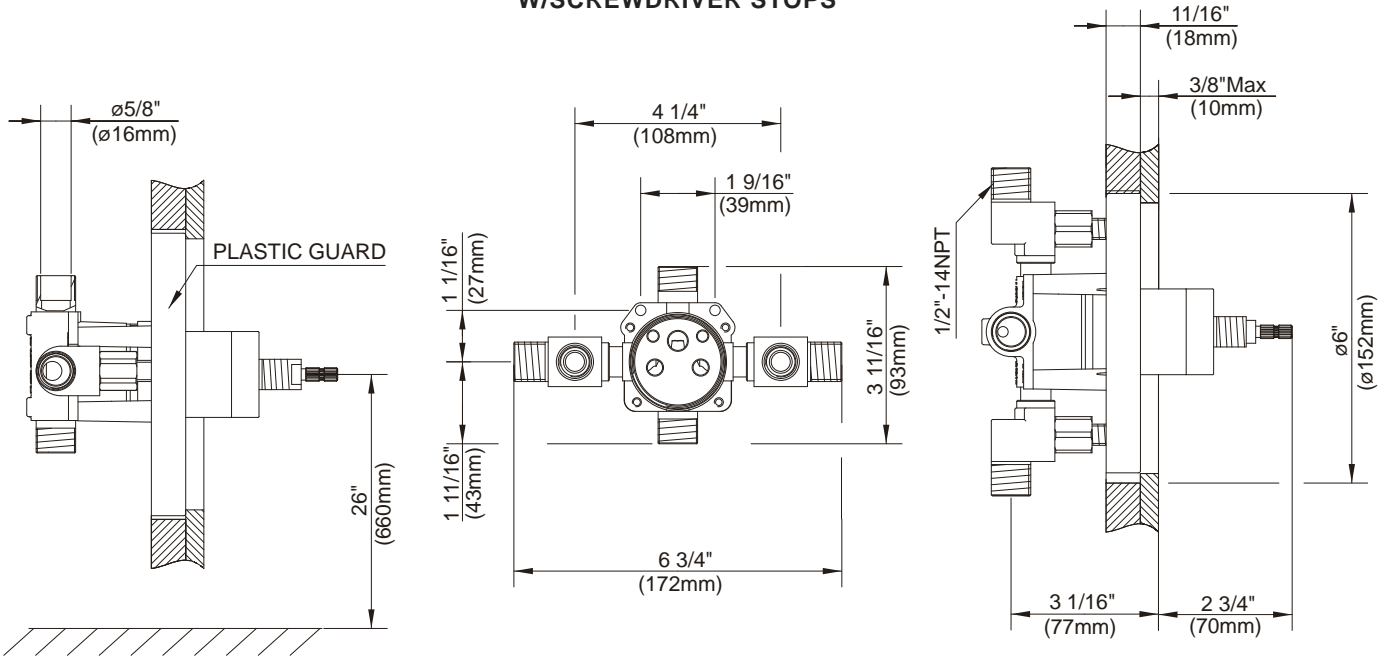
Location: \_\_\_\_\_  
Contact #: \_\_\_\_\_

**SPECIFICATIONS**

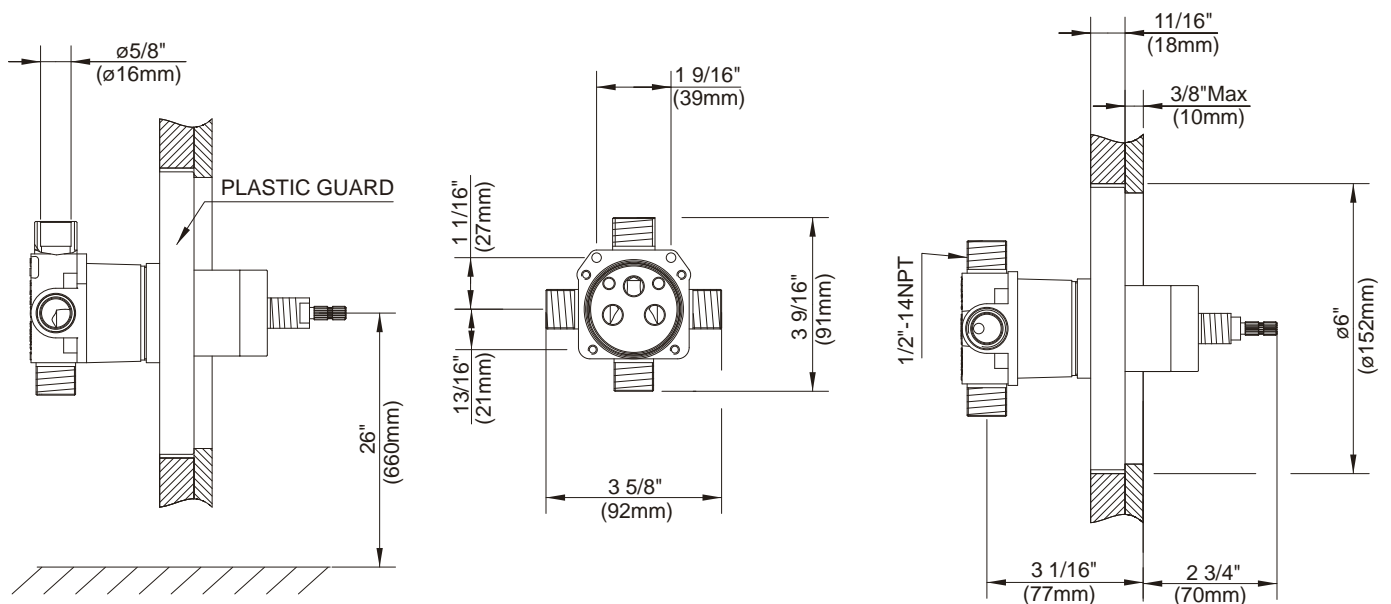
**SOUTH SEA™ SINGLE HANDLE PRESSURE BALANCE TUB & SHOWER FAUCET**

Critical Dimensions : Rough-in valve D112000BT (w/stops) & D115000BT (w/o stops)

**W/SCREWDRIVER STOPS**



**W/O STOPS**



**Submittal Information:**

Job Name: \_\_\_\_\_  
 Contractor: \_\_\_\_\_

Location: \_\_\_\_\_  
 Contact #: \_\_\_\_\_