

SPECIFICATIONS

SINGLE CONTROL PRESSURE BALANCE MIXING VALVE LESS SCREWDRIVER STOPS

Model

D115500BT

Description

- Washerless cartridge
- With temperature limit adjustment
- Combination 1/2" copper sweat/IPS 4-port hook up
- Back-to-back installation feature
- Mounting bracket & plaster guard included
- Valve will perform at ASSE 1016 standards when flow rate is restricted to 2.0gpm

Standards



• UPC/cUPC

MEETS ASME
A112.18.1M/ A112.18.1

• ASME A112.18.1M/ A112.18.1

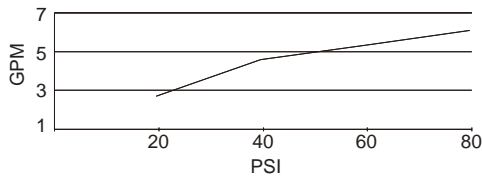
MEETS ASSE
1016

• ASSE 1016

Warranty

Danze products are covered by a manufacturer's limited "lifetime" warranty for manufacturing defects.

Flow Rate



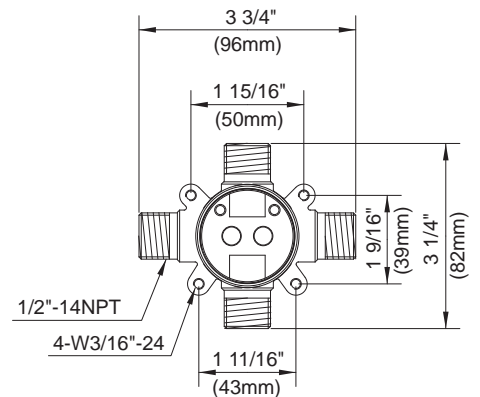
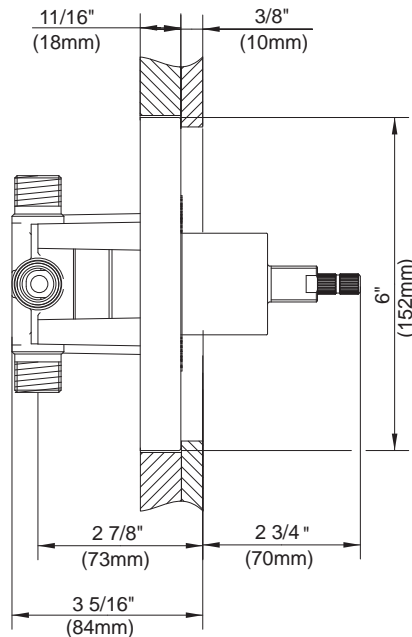
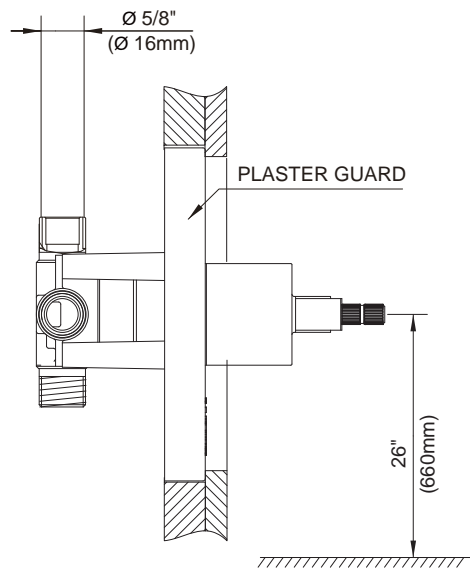
Special Packaging

- Trim kits for this valve are packaged separately.
- Fits all Danze single handle tub/shower & shower only trims
- Model numbers for trim kit items include the suffix "T"



Finishes Available

- Rough Brass



Submittal Information:

Job Name: _____
Contractor: _____

Location: _____
Contact #: _____

SPECIFICATIONS

BRANDYWOOD™ TWO HANDLE WIDESPREAD LAVATORY FAUCET

Model

D304068 (Replaces D304468 series)

Description

- Ceramic disc valve
- 3" high spout, 5 1/2" spout length
- Metal pop-up drain assembly
- 3 hole mount
- Lever handles

Standards



Certified to NSF/ANSI 61 Section 9

- NSF 61-9
- Energy Policy Act of 1992



NSF/ANSI 372

- ASME A112.18.1M/A112.18.1
- NSF/ANSI 372
- CSA B125.1

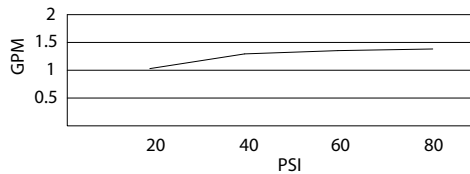


- ADA Accessibility Guidelines for Buildings and Facilities - 4.27.4 Controls and Mechanisms

Warranty

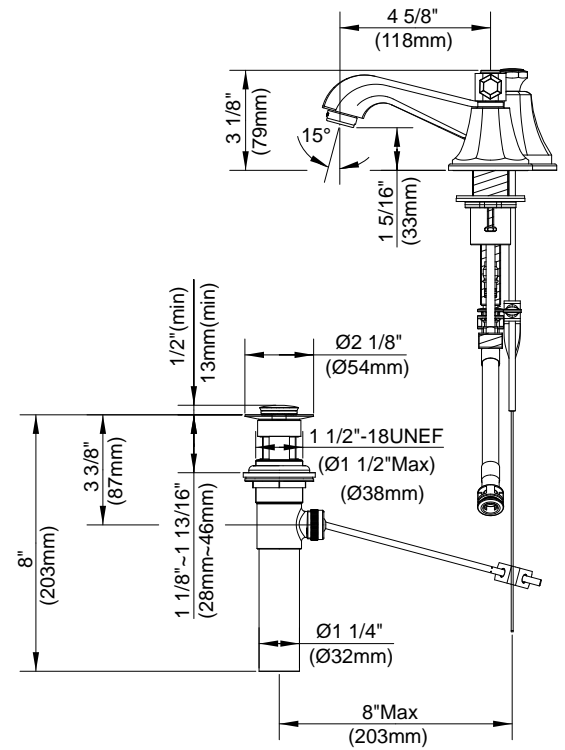
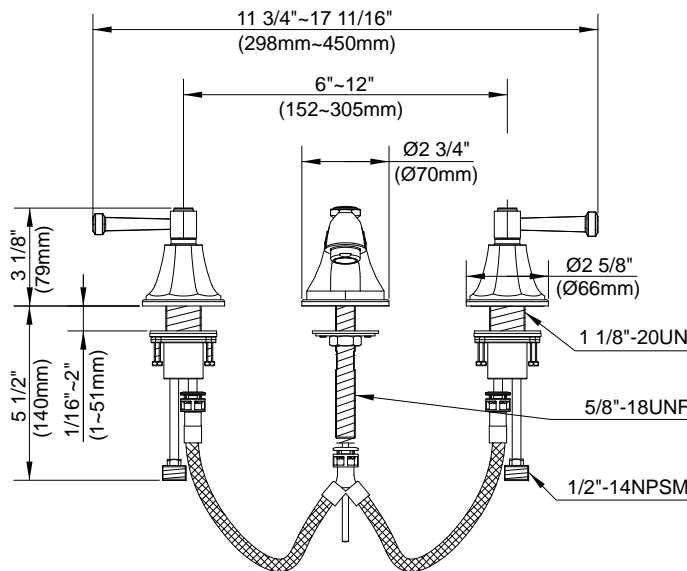
Danze products are covered by a manufacturer's limited "lifetime" warranty for manufacturing defects.

Flow Rate



Finishes Available

- Chrome
- Other: Refer to Price List for additional finish



Submittal Information:

Job Name: _____
 Contractor: _____

Location: _____
 Contact #: _____

SINGLE HANDLE PRESSURE BALANCE TUB & SHOWER FAUCET

Features


Description

- Single handle
- 6" octagon showerhead
- Slip-fit spout
- Diverter on escutcheon
- Back to back installation capabilities
- Built-in integral shut-off valves

Flow & Valving

- See Chart

Standards

- ASME A112.18.1
- CSA B125
- Energy policy act of 1992
- Listed IAPMO/UPC
- ASSE 1016
- ADA Accessibility Guidelines for Buildings and Facilities - 4.27.4 Controls and Mechanisms 

Warranty

Danze faucets are covered by a manufacturer's limited "lifetime" warranty on finish, valve leaks, and manufacturing defects.

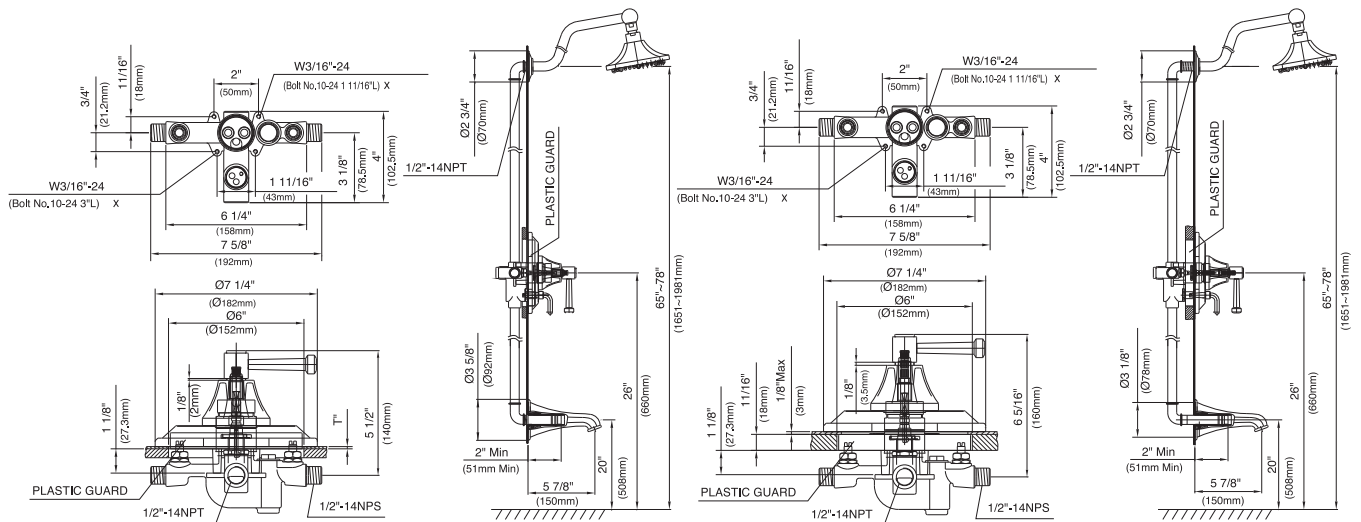
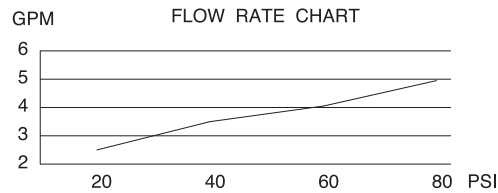


D503068
ENFIELD™



Available Colors & Finish

- Chrome
- Brushed Nickel (BN)



Specific Features: _____ Submitted Model No.: _____