

SPECIFICATIONS

SINGLE CONTROL PRESSURE BALANCE MIXING VALVE LESS SCREWDRIVER STOPS

Model

D115500BT

Description

- Washerless cartridge
- With temperature limit adjustment
- Combination 1/2" copper sweat/IPS 4-port hook up
- Back-to-back installation feature
- Mounting bracket & plaster guard included
- Valve will perform at ASSE 1016 standards when flow rate is restricted to 2.0gpm

Standards



• UPC/cUPC

MEETS ASME
A112.18.1M/ A112.18.1

• ASME A112.18.1M/ A112.18.1

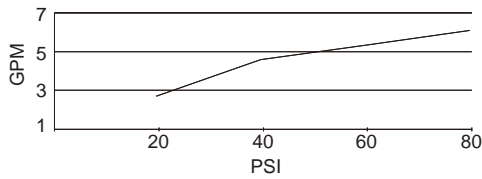
MEETS ASSE
1016

• ASSE 1016

Warranty

Danze products are covered by a manufacturer's limited "lifetime" warranty for manufacturing defects.

Flow Rate



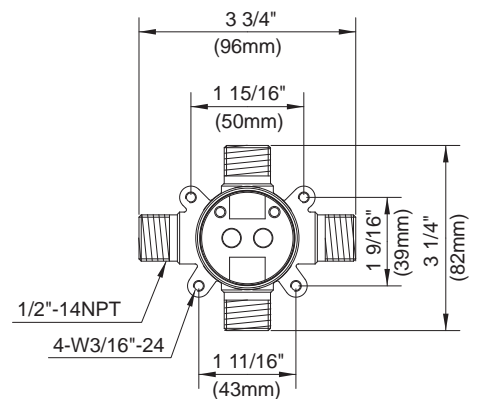
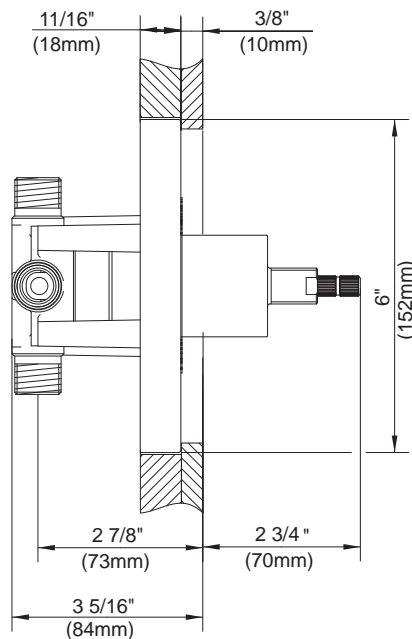
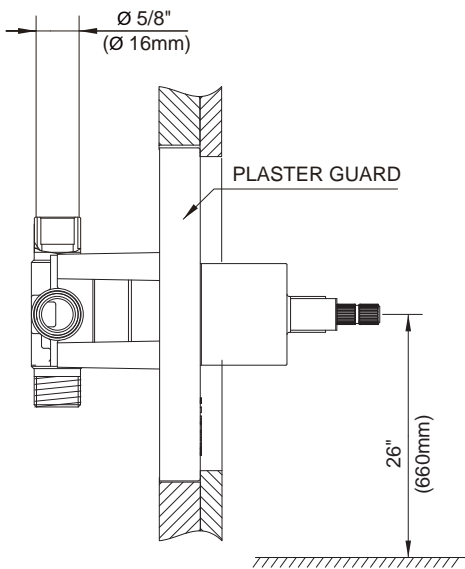
Special Packaging

- Trim kits for this valve are packaged separately.
- Fits all Danze single handle tub/shower & shower only trims
- Model numbers for trim kit items include the suffix "T"



Finishes Available

- Rough Brass



Submittal Information:

Job Name: _____
Contractor: _____

Location: _____
Contact #: _____

SPECIFICATIONS

EASTHAM™ TRIM ONLY SINGLE HANDLE PRESSURE BALANCE TUB & SHOWER FAUCET

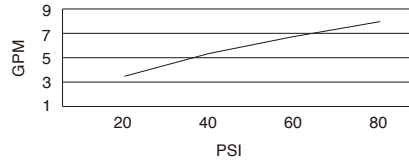
Model

D510015T

Description

- 4 ½" bell style showerhead
- All brass 6" shower arm
- Diverter on spout
- Use with valve: D112000BT (w/stops) or D115000BT (w/o stops)

Flow Rate



Standards



- UPC/cUPC
- Energy Policy Act of 1992



- ASME A112.18.1



- ADA Accessibility Guidelines for Buildings and Facilities - 4.27.4 Controls and Mechanisms



Finishes Available

- Chrome
- Brushed Nickel

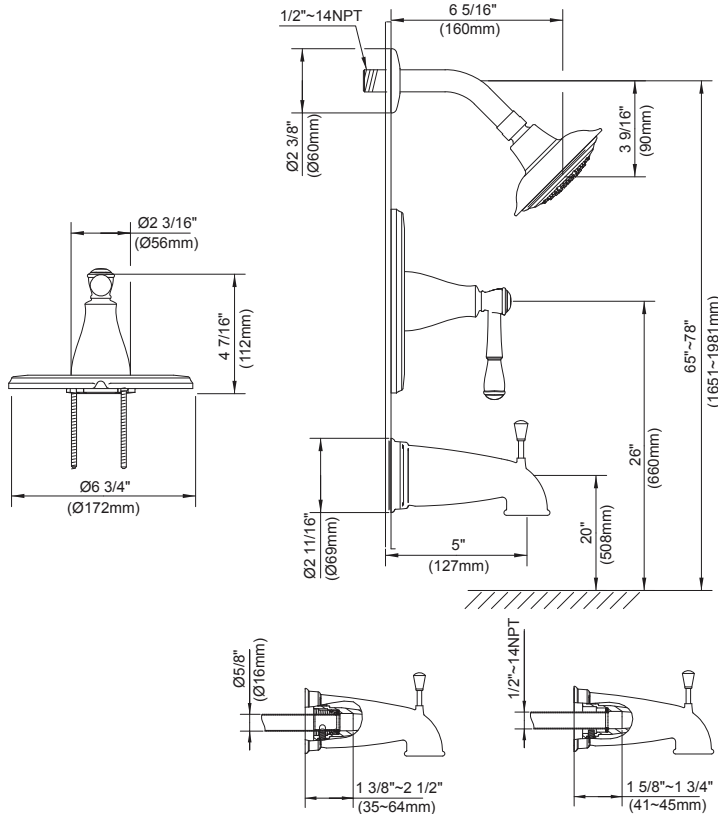


Finishes Available

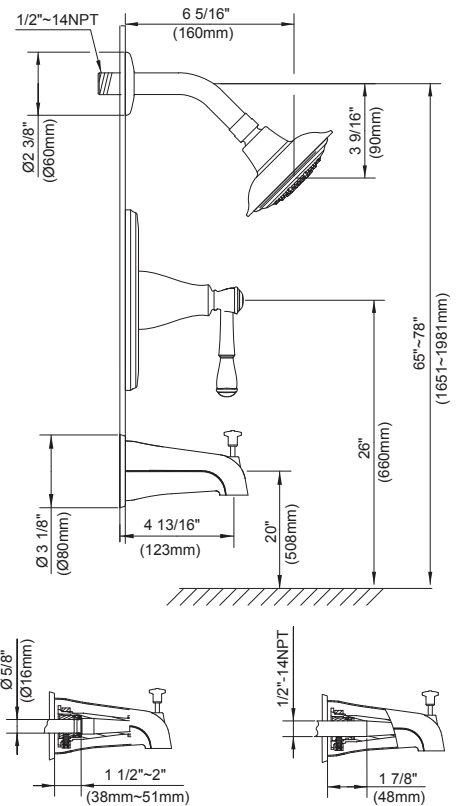
- Tumbled Bronze

Warranty

Danze products are covered by a manufacturer's limited "lifetime" warranty for manufacturing defects.



For Chrome and Brushed Nickel finishes



For Tumbled Bronze finish only

Submittal Information:

Job Name: _____
 Contractor: _____

Location: _____
 Contact #: _____