

SPECIFICATIONS

CITRON™ SINGLE HANDLE PULL-DOWN KITCHEN FAUCET

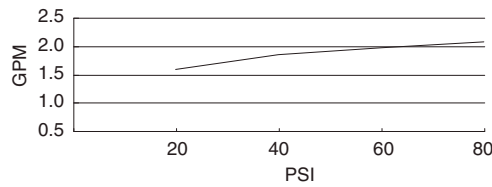
Model

DH450177

Description

- Contemporary styling
- Ceramic disc valve
- 1 or 3 hole installation
- 120 degree swivel spout
- Aerated stream
- Quiet running hose with spring retraction
- 16 ¼" spout height, 8 ¼" spout length
- A112.18.1M, 2.2 gpm (8.3 LPM) maximum flow rate @ 60 psi

Flow Rate



Standards



- NSF 61-9
- Energy Policy Act of 1992



NSF/ANSI 372

- ASME A112.18.1M/A112.18.1
- NSF/ANSI 372



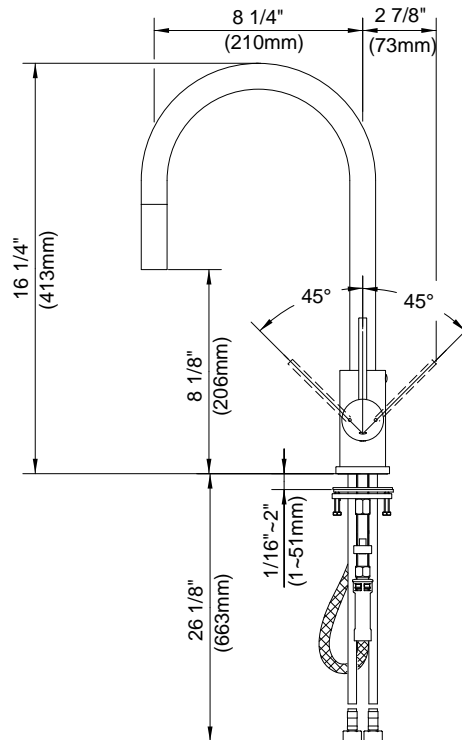
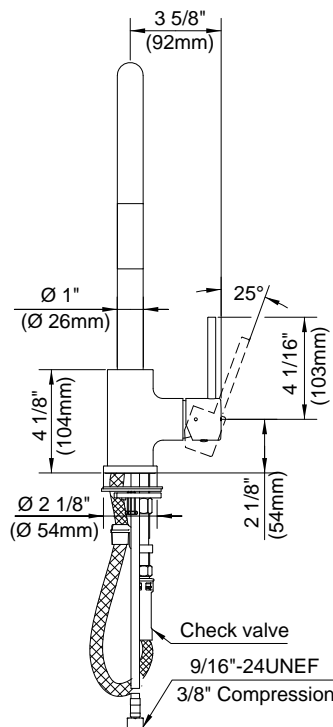
- ADA Accessibility Guidelines for Buildings and Facilities - 4.27.4 Controls and Mechanisms

Finishes Available

- Chrome
- Stainless Steel

Warranty

Danze products are covered by a manufacturer's limited "lifetime" warranty for manufacturing defects.



Submittal Information:

Job Name: _____
 Contractor: _____

Location: _____
 Contact #: _____