

SPECIFICATIONS

FLORIN™ SUPPLY MOUNT ASSEMBLY

Model

D461536

Description

- 5 function Florin handshower: wide, centerjet, aeration, massage and wide + centerjet
- D-Force™ Technology
- 72" metal hose
- Maximum flow rate 2.5 gpm @ 80 psi
- Supply mount assembly provides code approved back flow prevention Ω

Standards

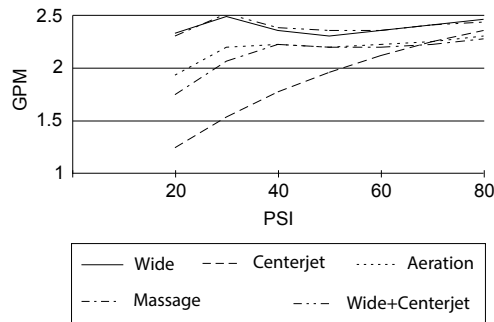


- UPC/cUPC
- Energy policy act of 1992

Warranty

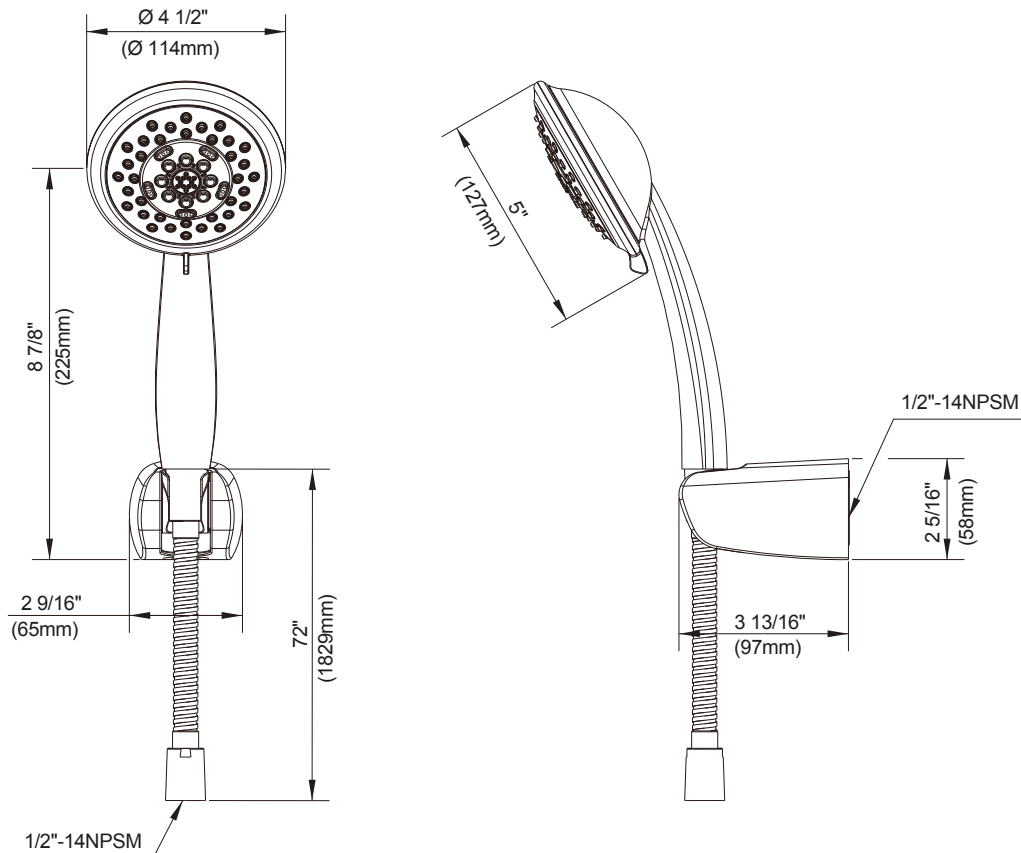
Danze products are covered by a manufacturer's limited "lifetime" warranty for manufacturing defects.

Flow Rate



Finishes Available

- Chrome
- Other: Refer to Price List for additional finish



Submittal Information:

Job Name: _____

Location: _____

Contractor: _____

Contact #: _____