

SINGLE HANDLE 4-PORT SHOWER DIVERTER WITH TRIM


Description

- 4-port valve services up to three shower systems.
- 1/2" combination IPS/Copper sweat ports
- 8 position valve channels water to one, two or all three shower systems.

Flow & Valving

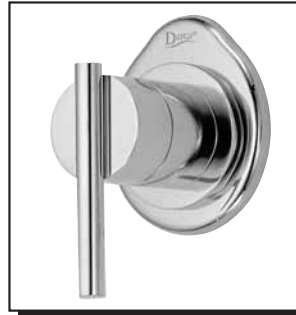
- See Chart

Standards

- ASME A112.18.1
- CSA B125
- ASSE 1016
- Listed IAPMO/UPC
- ADA Accessibility Guidelines for Buildings and Facilities - 4.27.4 Controls and Mechanisms 

Warranty

Danze products are covered by a manufacturer's limited "lifetime" warranty for manufacturing defects.



D560858
PARMA™



Available Colors & Finish

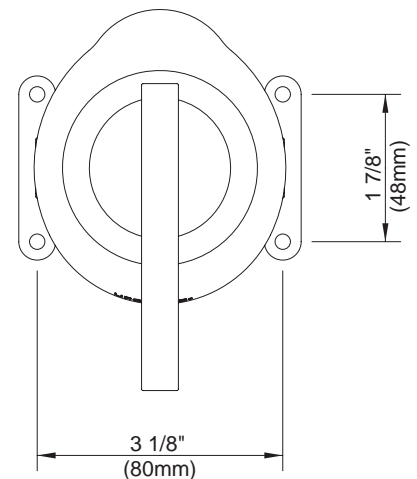
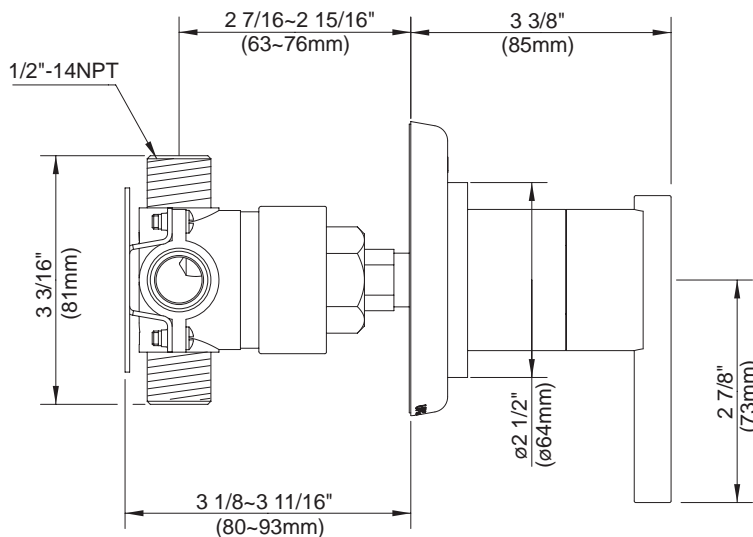
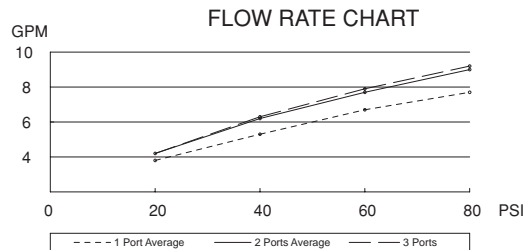
- Chrome
- Brushed Nickel (BN)

Trim Kit :

(for use w/shower diverter valve)
D560858T

Special Packaging

- Model numbers for trim kit items include the suffix "T".



Specific Features: _____ Submitted Model No.: _____

SD560858/12-07.01