

SPECIFICATIONS

ZIGA ZAGA® 1 PIECE TOILET

Model

DC031221

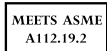
Description

- 3" flush valve technology with Fluidmaster® pilot valve
- Elongated bowl with 12" rough-in
- 16 1/2" rim height
- Fully glazed concealed trapway
- Water consumption rating: 1.6 gpf (6 Lpf)
- Accessories included: soft-close seat, side mounted tank lever in Chrome finish and matching color ceramic floor bolt cover plates

Standards



• UPC



• ASME A112.19.2



• CSA B45.1



• ADA Accessibility Guidelines for Buildings and Facilities - 4.16 Water Closets

Warranty

Five Year Limited Warranty (Vitreous China)

Technical Information

Fixture:	
Configuration	one-piece, elongated
Water per flush	1.6 gpf / 6 Lpf
Trapway	2 1/8" (5.4 cm)
Water depth from rim	5 1/8" (13 cm)
Water area	11 3/4" (30 cm) x 8 5/8" (22 cm)
Seat post hole centers	5 1/2" (14 cm)
Operating static pressure range	20 to 80 psi

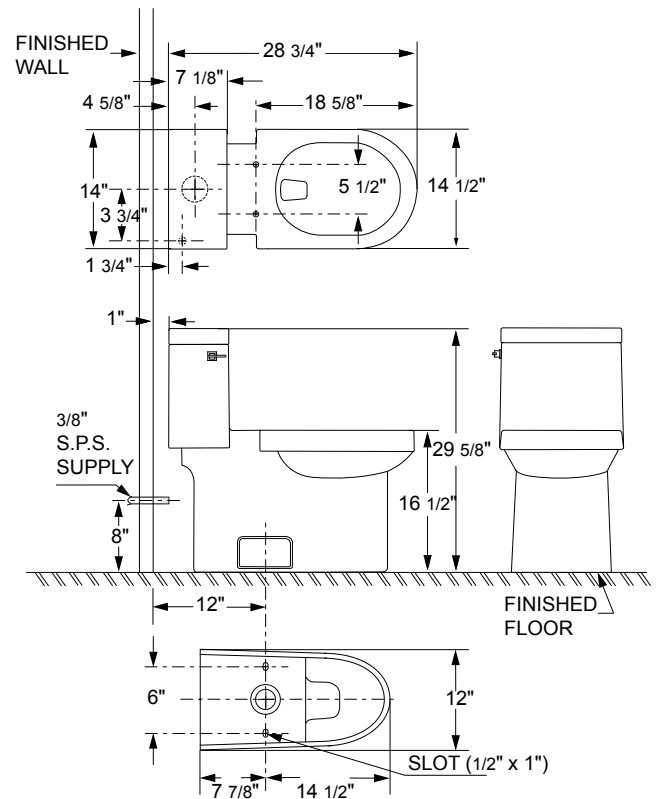
Optional Accessories

Model	Description	Finish
D497440	Sirius™ side mount tank lever	Chrome
D497440BN	Sirius™ side mount tank lever	Brushed Nickel



Colors Available

- White (WH)



IMPORTANT: Dimensions of fixtures are nominal and may vary within the range of tolerance established by ASME Standard A112.19.2. These measurements are subject to change or cancellation. No responsibility is assumed for use of superseded or voided pages.

Submittal Information:

Job Name: _____

Location: _____

Contractor: _____

Contact #: _____