

### SINGLE HANDLE 3/4" THERMOSTATIC VALVE


#### Description

- 4-port thermostatic valve with isolation stops, duplicate filters, high flow rate
- Scald protection, meets ASSE 1016, with temperature limit stop
- Controls temperature
- Matching collection trim included
- Requires separate shut off / volume control valve
- 3/4" FIP inlets and outlets

#### Flow & Valving

- See Chart

#### Standards

- ASME A112.18.1
- CSA B125
- ASME 1016
- Listed IAPMO/UPC
- ADA Accessibility Guidelines for Buildings and Facilities - 4.27.4 Controls and Mechanisms 

#### Warranty

Danze products are covered by a manufacturer's limited "lifetime" warranty for manufacturing defects.



D562040  
FAIRMONT™



#### Available Colors & Finish

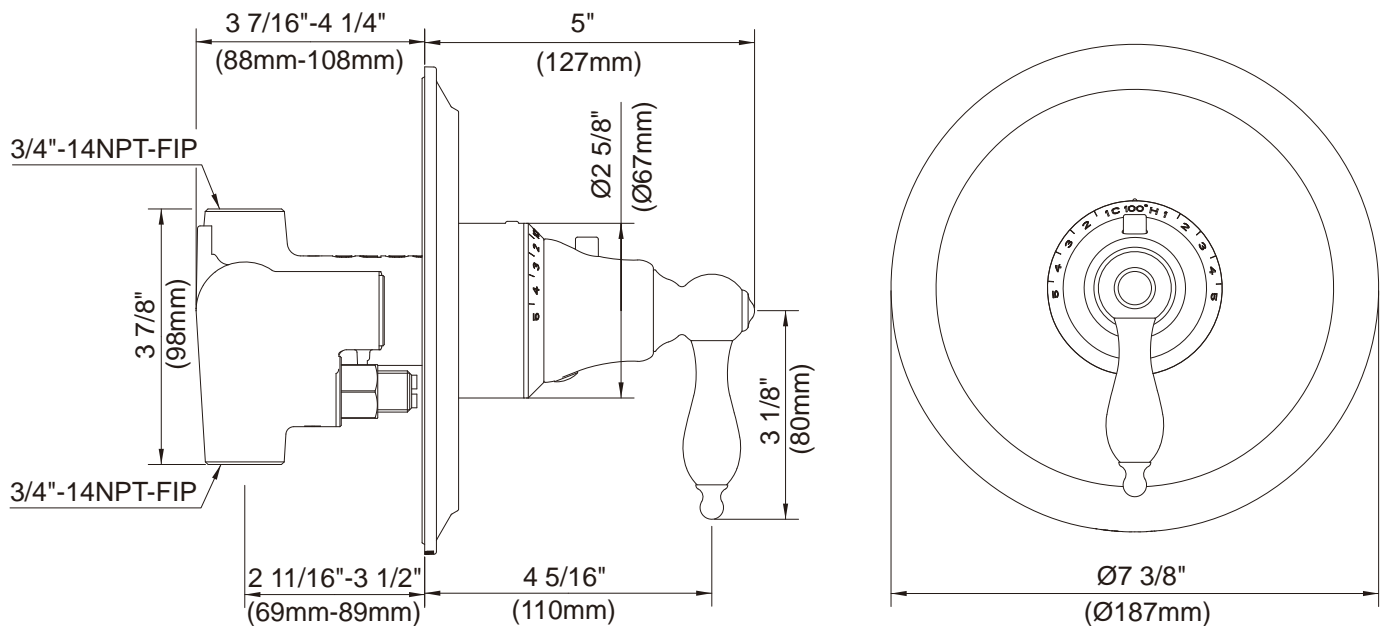
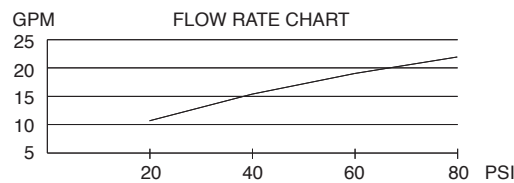
- Chrome
- Brushed Nickel (BN)
- Distressed Nickel (DN)
- Oil Rub Bronze (RB)
- Distressed Bronze (RBD)

#### Trim Kit:

(for use w/ 1 handle 3/4" thermostatic shower valve)  
D562040T

#### Special Packaging

- Model numbers for trim kit items include the suffix "T"



Specific Features: \_\_\_\_\_ Submitted Model No.: \_\_\_\_\_

SD562040/08-08.01