

SPECIFICATIONS

ANTIOCH™ SINGLE HANDLE PRESSURE BALANCE TUB & SHOWER FAUCET

Model

D510021

Description

- Single handle with massage showerhead
- All brass 6" shower arm
- Combination 1/2" copper sweat/IPS 4-port hook up
- Diverter on spout

Standards



- UPC/cUPC
- Energy policy act of 1992



- ASME A112.18.1



- CSA B125



- ASSE 1016

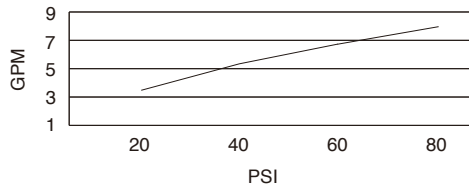


- ADA Accessibility Guidelines for Buildings and Facilities - 4.27.4 Controls and Mechanisms

Warranty

Danze products are covered by a manufacturer's limited "lifetime" warranty for manufacturing defects.

Flow Rate



Trim Kits:

(for use w/pressure balance valves)

D510021T (Tub/Shower trim)

D500521T (Shower only trim)

D500421T (Valve only escutcheon trim)

Special Packaging

- This product also available with valve packaged separate from trim.
- Tub & Shower, Shower Only & Valve Only Escutcheon Trim Kit - use w/valve: D112000BT (w/diverter & stops) or D115000BT (w/o stops)
- Pressure Balance Valves are combination 1/2" copper sweat, 1/2" NPT threaded connectors for all ports.

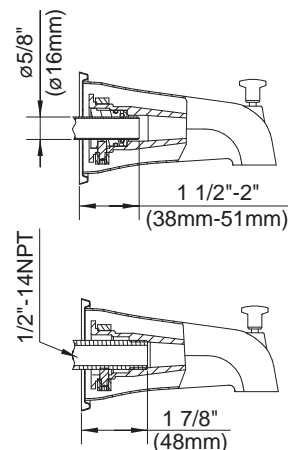
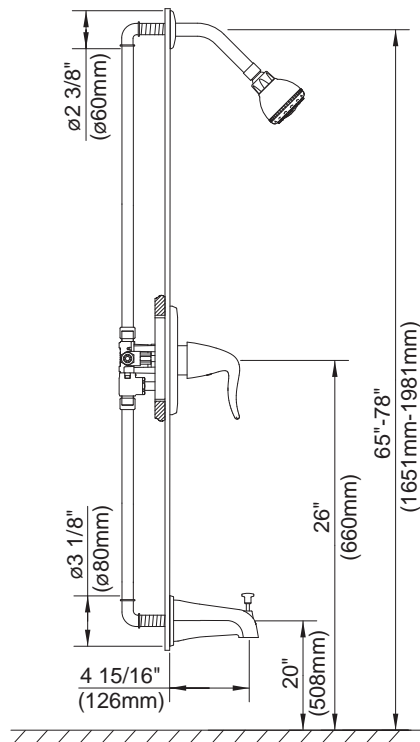
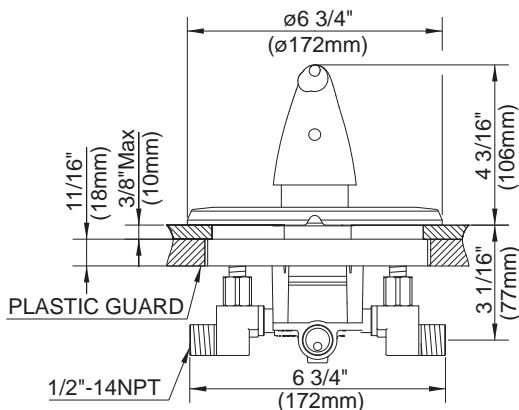


Finishes Available

- Chrome
- Other: Refer to Price List for additional finish

With Diverter & Stops:
D510021 (Tub/Shower)

With Stops:
D500521 (Shower only)



Submittal Information:

Job Name: _____

Location: _____

Contractor: _____

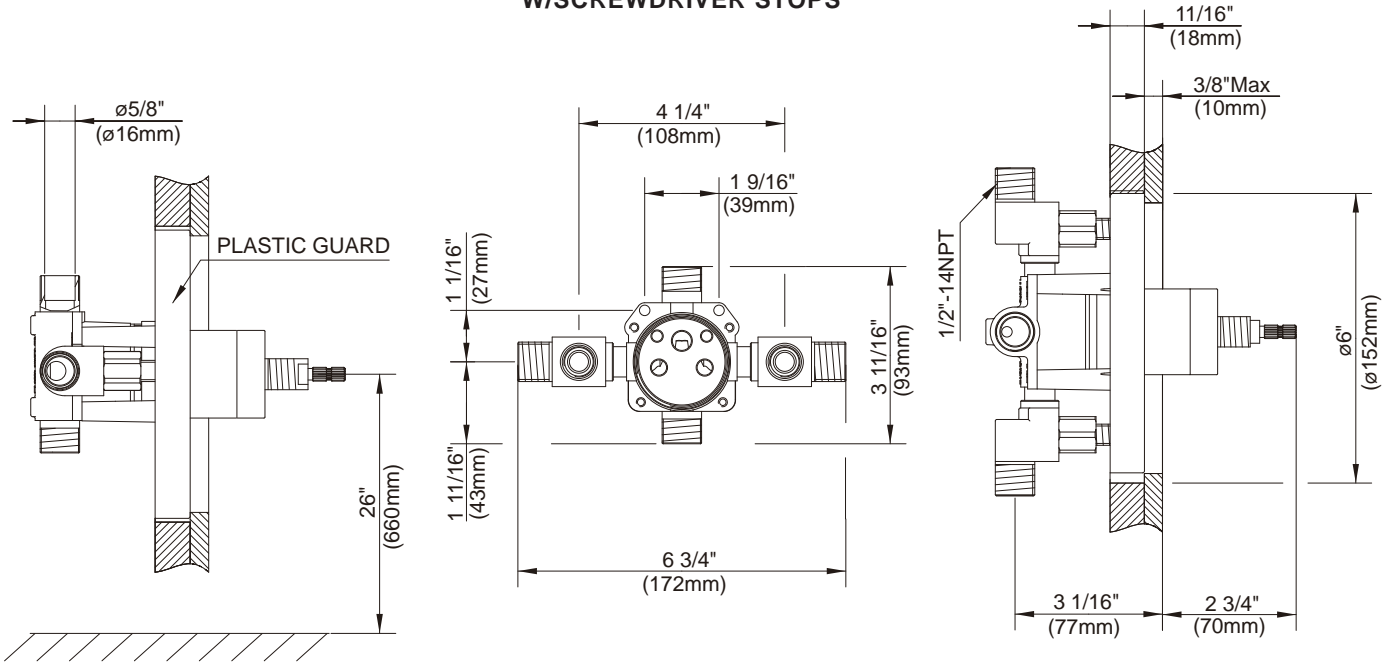
Contact #: _____

SPECIFICATIONS

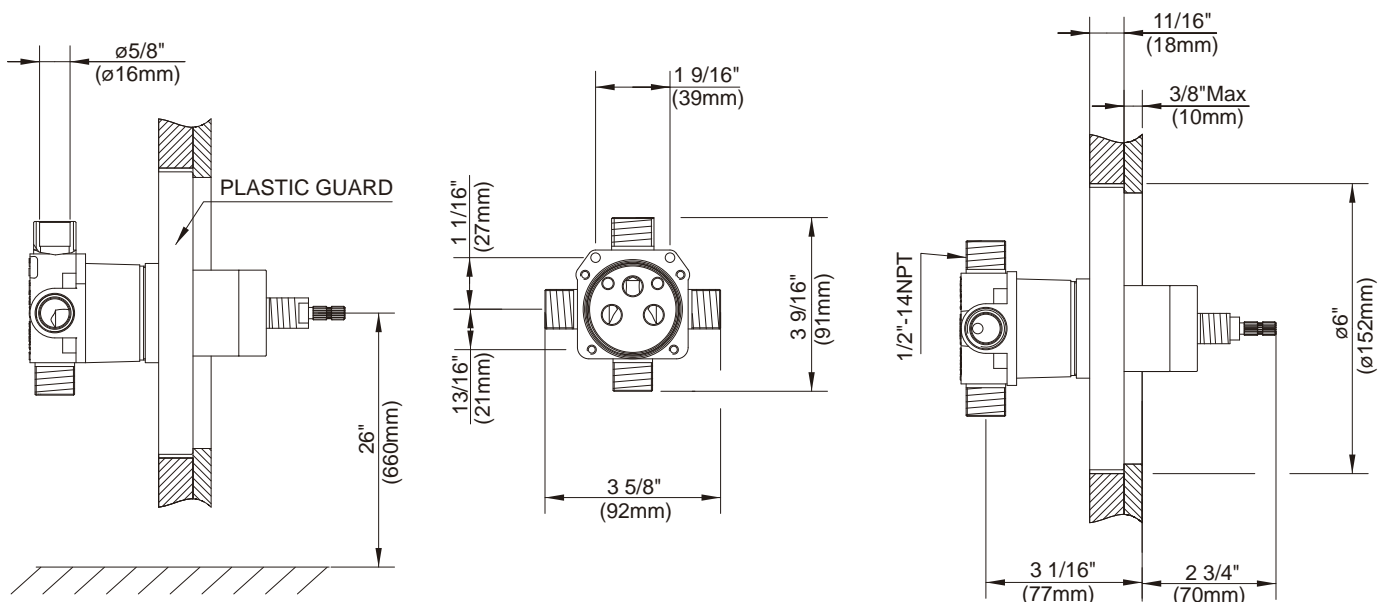
ANTIOCH™ SINGLE HANDLE PRESSURE BALANCE TUB & SHOWER FAUCET

Critical Dimensions : Rough-in valve D112000BT (w/stops) & D115000BT (w/o stops)

W/SCREWDRIVER STOPS



W/O STOPS



Submittal Information:

Job Name: _____

Location: _____

Contractor: _____

Contact #: _____