

## SPECIFICATIONS

### SINGLE HANDLE PRESSURE BALANCE SHOWER FAUCET

Note : Old product # in parenthesis for reference


#### Description

- Single handle
- 4 lamp style showerhead
- Back to back installation capabilities
- Built-in integral shut-off valves

#### Flow & Valving

- See Chart

#### Standards

- ASME A112.18.1
- CSA B125
- NSF 61-9
- Listed IAPMO/UPC
- Energy policy act of 1992
- ADA Accessibility Guidelines for Buildings and Facilities - 4.27.4 Controls and Mechanisms 

#### Warranty

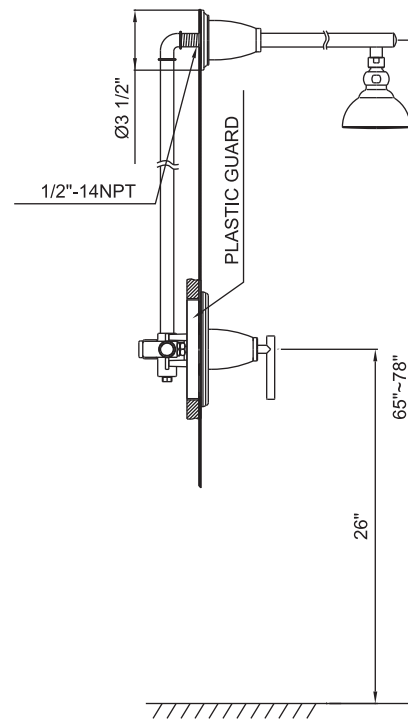
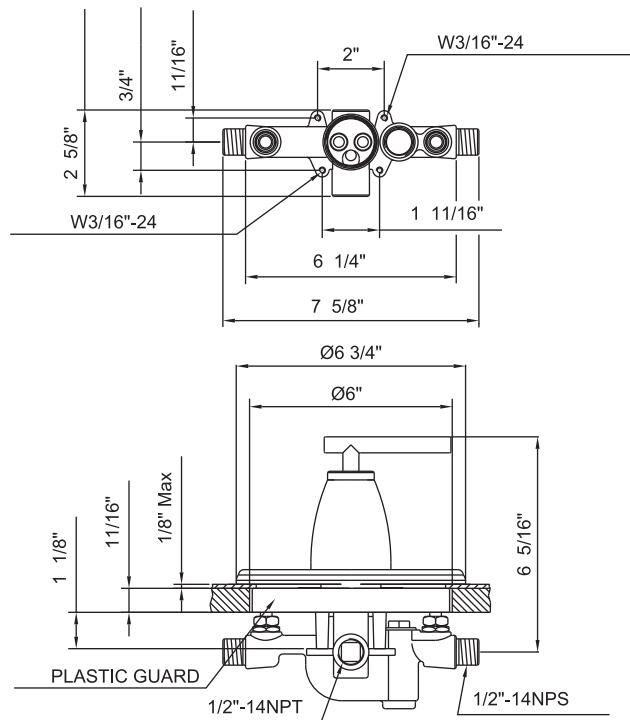
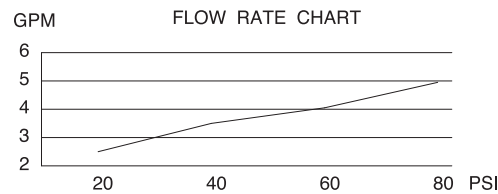
Danze faucets are covered by a manufacturer's limited "lifetime" warranty on finish, valve leaks, and manufacturing defects.



#### Available Colors & Finish

- Chrome
- Brushed Nickel (BN)
- Chrome with Stain Nickel Accents(CSN)

D504554(5045-54)  
SONORA™



Specific Features: \_\_\_\_\_ Submitted Model No.: \_\_\_\_\_